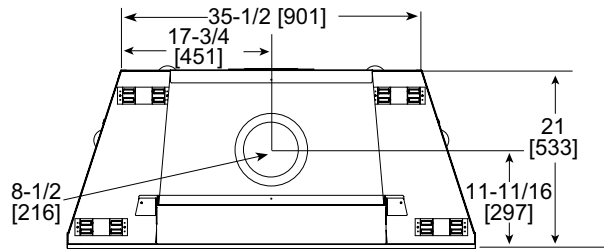




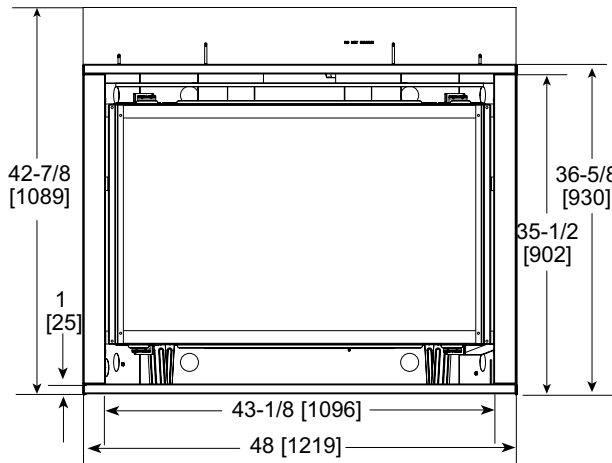
Please consult the manufacturer's installation manual for all details and requirements before making a final design layout decision.

8000 Modern Direct Vent Gas Fireplace

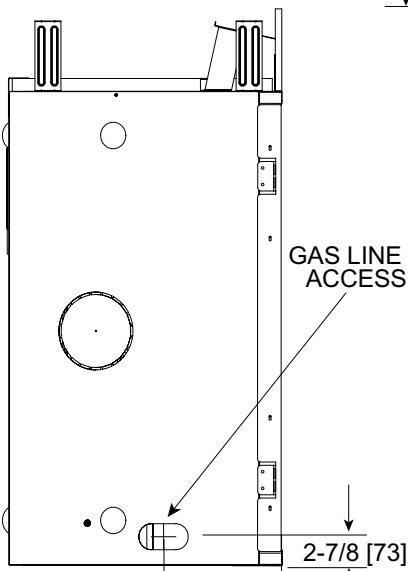
MODEL	FRONT WIDTH		BACK WIDTH		HEIGHT		DEPTH		GLASS SIZE
	Actual	Framing	Actual	Framing	Actual	Framing	Actual	Framing	
8000CMOD	48	49	35-1/2	49	41-7/8	42-1/8	21-1/2	22	39 x 23-5/8



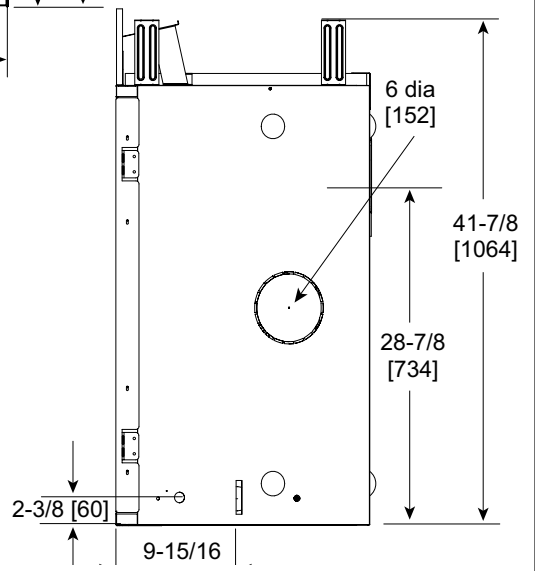
TOP VIEW



FRONT VIEW



LEFT VIEW



RIGHT VIEW

MINIMUM FIREPLACE CLEARANCES

AREA	TO COMBUSTIBLES (in inches)
CLEARANCE TO CEILING	25
NON-COMBUSTIBLE FLOOR	0
COMBUSTIBLE FLOORING	0
BEHIND APPLIANCE	1/2
SIDES OF APPLIANCE	1/2

APPLIANCE LOCATION

NOTE: THE REAR STANDOFF MAY NEED TO BE REMOVED WHEN VENTING AT 45°

	A	B	C	D	E	F
in.	55-7/8	49	79	See Section D.	22	19-3/4
mm	1419	1245	2007	Mantel Projections	559	502

MANTLE LEG/WALL PROJECTIONS

TOP VIEW

INTERIOR WALL

FIREPLACE OPENING

MANTLE LEG OR WALL PROJECTIONS

If A minimum is ____, then B maximum is ____.

A	in.	2-7/16	3-7/16	4-7/16	5-7/16	6-7/16	7-7/16
	mm	62	87	113	138	164	189
B	in.	1	2	3	4	5	∞
	mm	25	51	76	102	127	∞

FRAMING DIMENSIONS

Adjust framing dimensions for interior sheathing (such as sheetrock)
** Add 12 inches for rear venting with one 90° elbow.

CLEARANCES TO COMBUSTIBLES

MANTLE PROJECTIONS

Note: Measurement is taken from top of the opening, NOT the top of the fireplace.

TO CEILING

MEASUREMENTS FROM TOP EDGE OF THE OPENING

Note: All measurements in inches.

PRODUCT LISTING CODES	
US	ANSI Z21.50-2014
CAN	CSA 2.22-2014
US LISTED	UL307B

Product information provided is not complete and is subject to change without notice. Product installation must adhere strictly to instructions accompanying product to avoid risk of fire and potential injury.

Additional information can be found online at www.heatnglo.com