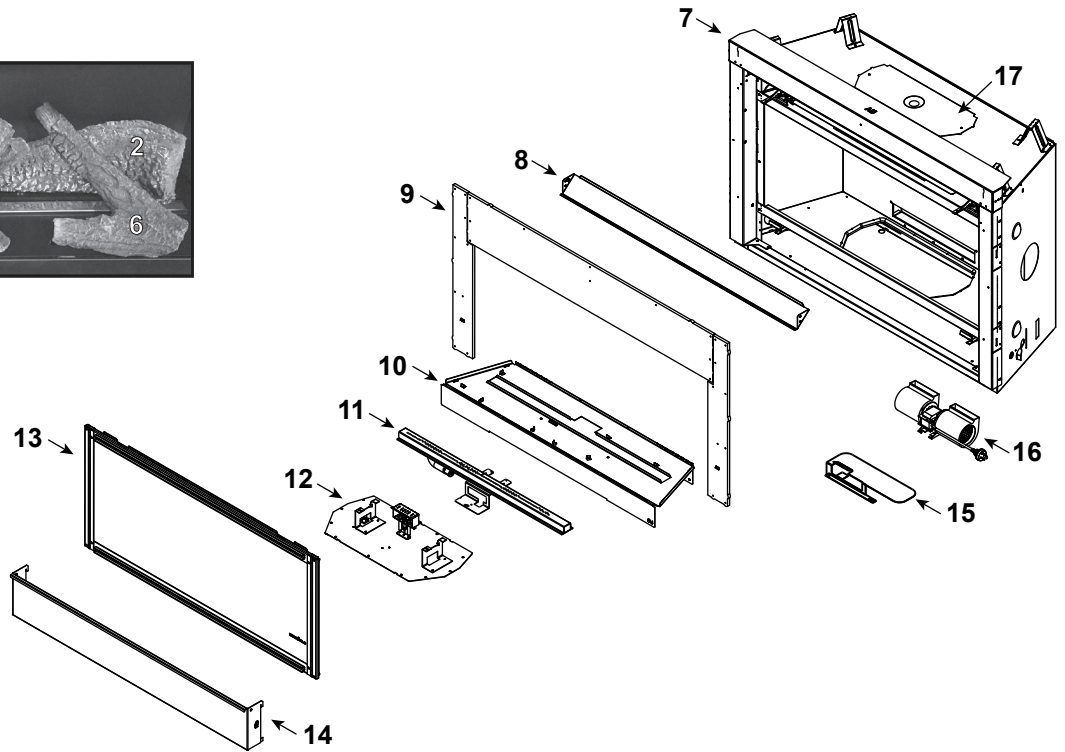
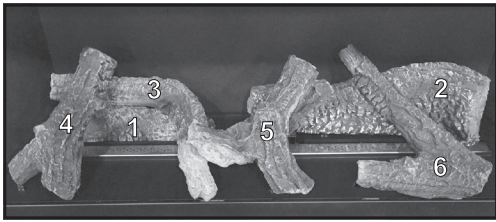


No one builds a better fire

Log Assembly



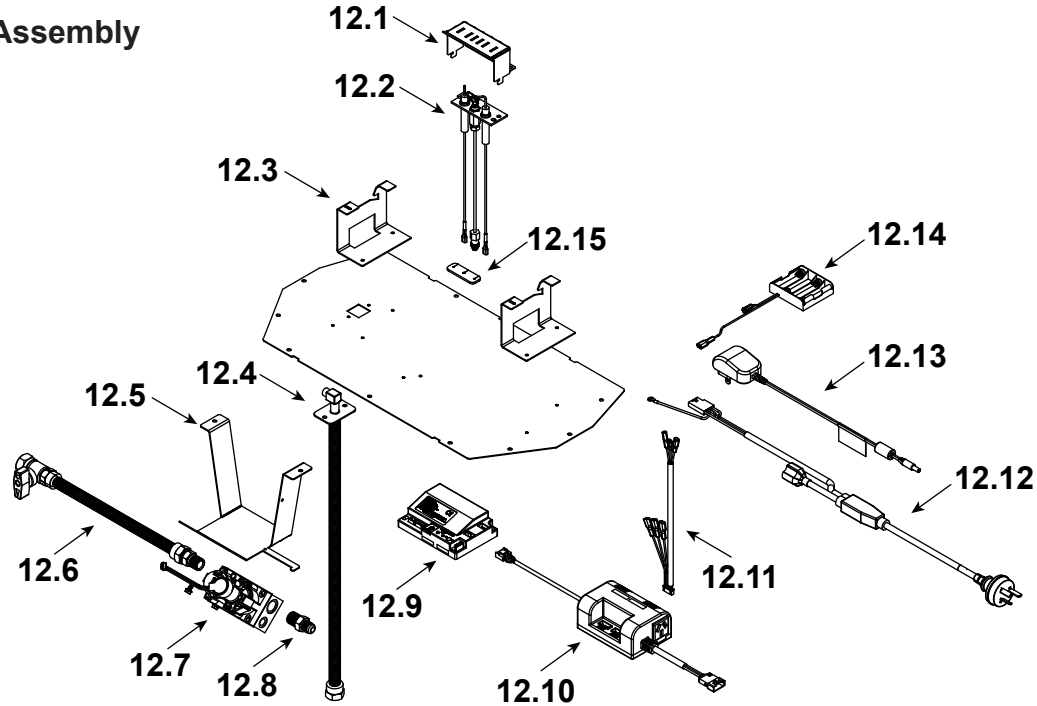
IMPORTANT: THIS IS DATED INFORMATION. Parts must be ordered from a dealer or distributor. **Hearth and Home Technologies does not sell directly to consumers.** Provide model number and serial number when requesting service parts from your dealer or distributor.

ITEM	DESCRIPTION	COMMENTS	PART NUMBER
1	Log #1		SRV571-705
2	Log #2		SRV2491-703
3	Log #3		SRV2081-172
4	Log #4		SRV330-704
5	Log #5		SRV2111-701
6	Log #6		SRV2111-702
	Lava Rock		4021-297
	Mineral Wool		050-721
7	Non-Comb Ledge		2493-104
8	Top Fill		2493-135
9	Non-Comb Assembly		2493-079
10	Base Pan		2491-111
11	Burner Assembly		2491-009
12	Valve Assembly		See Following Page
13	Glass Assembly		GLA-SLR-X-AU
14	Lower Panel		2653-103
15	Heat Shield, SL Linear		2653-129
16	Blower Assembly		2264-500A
17	Header Heat Shield		2118-120

Additional service part numbers appear on following page.

No one builds a better fire

#12 Valve Assembly



IMPORTANT: THIS IS DATED INFORMATION. Parts must be ordered from a dealer or distributor. **Hearth and Home Technologies does not sell directly to consumers.** Provide model number and serial number when requesting service parts from your dealer or distributor.

ITEM	DESCRIPTION	COMMENTS	PART NUMBER
12.1	Pilot Shield		2491-123
12.2	Pilot Assembly N		2106-169
	Pilot Assembly P & ULPG		2106-170
12.3	Burner Support,	1 Set	2491-169
12.4	Bulkhead W/Flex Tube		4021-428
12.5	Valve Bracket		2491-153
12.6	Flex Ball Valve Assembly		SRV302-320
12.7	Valve N		SRV2166-302
	Valve P & ULPG		2166-303
12.8	Male Connector	Pkg of 5	303-315/5
12.9	Module, Gray		2166-306
12.10	AUX300-CE		2166-340
12.11	Wiring Harness		2166-304
12.12	Power Cord Assembly		2222-037
12.13	Transformer, 6 Volt Wall		SRV2326-131
12.14	Battery Pack		SRV2166-323
12.15	Grommet		SRV2118-420
	Orifice N (#37)		582-837
	Orifice ULPG (#.057)		582-057
	Orifice P (#53)		582-853

Additional service part numbers appear on following page.

