

## Installation of SLIM-LINE Overlays

**CAUTION! Risk of Cuts or Abrasions.** Wear protective gloves and safety glasses during installation. Sheet metal edges are sharp.

**NOTE:**

The kit contains 2 side pieces, 1 top piece and one bottom piece. The side pieces are interchangeable, and the top and bottom pieces are interchangeable.

1. Remove the nailing tabs from both sides of the fireplace. Retain for later use.
2. **TRS Models and SL-3X, SL-5X, SL-7X, SL-9X:**  
Remove the non-combustible board assembly.
- TR Models, SL-5, SL-7, MERCURY32, SL-9 and QUARTZ32/36/42:**  
Remove the sheetrock transition bracket as shown in Figure 1.
3. The overlay pieces may be added to the fireplace in any order. Position each piece and press onto the appliance.
4. If the pieces appear to fit loosely remove them from the fireplace, place 100% silicone (300° F minimum continuous exposure rating) on the back of each piece, and replace them on the fireplace.
5. Reattach the nailing tabs removed in Step 1 and the non-combustible board assembly or sheetrock transition bracket removed in Step 2.

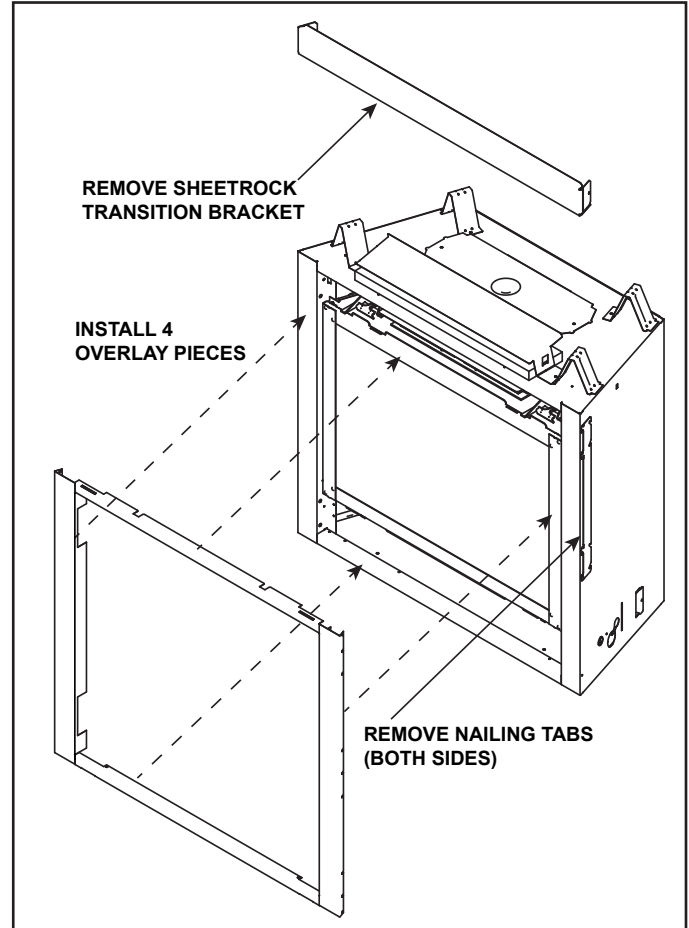


Figure 1. SL-TR Model Shown

**Note:** SRV950-FACE includes side columns for both SL-950 and SL-9 Series fireplace. SL-9 side columns are approximately two inches shorter than the SL-950 side columns.

Please contact your Hearth & Home Technologies dealer with any questions or concerns.  
For the location of your nearest  
Hearth & Home Technologies dealer,  
please visit [www.hearthnhome.com](http://www.hearthnhome.com).

Hearth & Home Technologies  
7571 215th Street West, Lakeville, MN 55044  
[www.hearthnhome.com](http://www.hearthnhome.com)