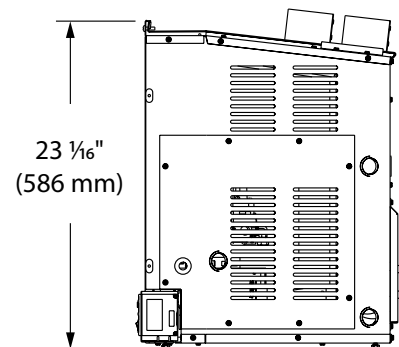
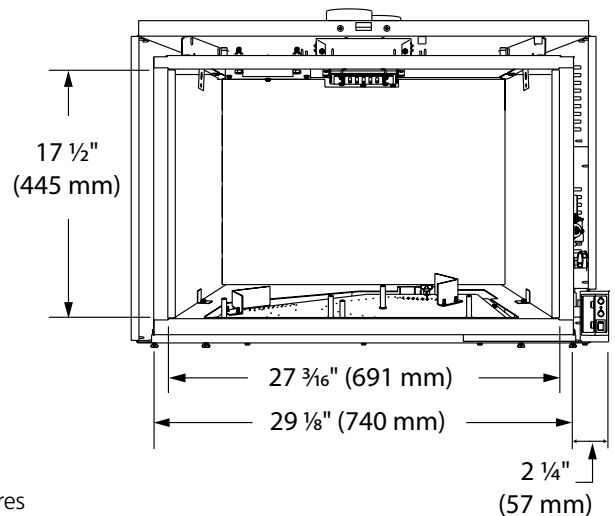
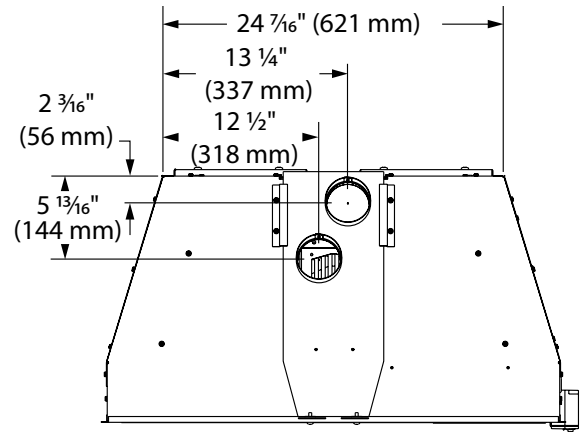


PRODUCT SPECIFICATIONS
VC41CDVI VICTORY
DIRECT VENT GAS INSERT



ACTUAL DIMENSIONS

Actual size: 31³/₈" W x 22¹/₄" H x 16" D (797 mm x 572 mm x 406 mm)
 Viewing area: 27³/₁₆" W x 17¹/₂" H, 477 sq. in. (691 mm x 445 mm), 3075 sq. cm

FEATURES

- Direct vent gas insert with louverless flush face and simple, transitional styling
- Dual pan burner provides beautiful yellow flame and is easy to remove for servicing or gas conversion
- Total Signature Command® with hand held touch screen remote control and A/C module
- Dual blower (160 cfm)
- Illumination kit
- Certified safety screen barrier

TOTAL SIGNATURE COMMAND® FEATURES

- A/C control with automatic battery back-up for operation during power failures
- Electronic ignition saves money and energy
- Optional cold climate pilot setting keeps flue warm, prevents condensation on door glass and keeps cold air from entering the home through the chimney
- Hi/Lo 3-step flame adjustment to run unit at your desired level of comfort
- Smart Mode® thermostat for enhanced energy efficiency
- Memory shut off remembers your favorite setting the next time the fireplace is turned on

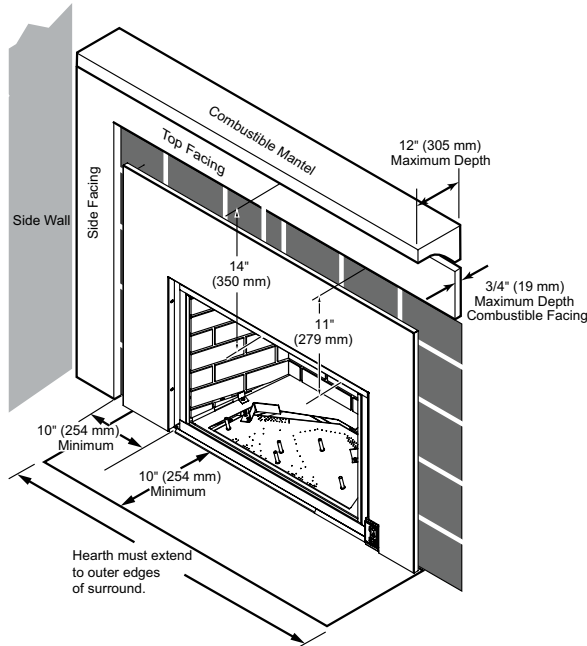
FIELD INSTALLED ACCESSORIES

- Liner kits available in Old World 3-D brick, New England 3-D fieldstone, black porcelain
- Floating face available in Satin Black, Brushed Nickel, and Textured Mocha
- Glass trim available in Brushed Nickel or Textured Mocha
- Rustic arched or rectangular doors in Distressed Black Copper or Distressed Buff Pewter
- Contemporary arched or rectangular double doors in Satin Black, Brushed Nickel, and Textured Mocha
- Fireglass kits available in Onyx, Diamond, Sapphire, and Bronze

PRODUCT SPECIFICATIONS
**VC41CDVI VICTORY CONTEMPORARY
 DIRECT VENT GAS INSERT**



INSERT CLEARANCES



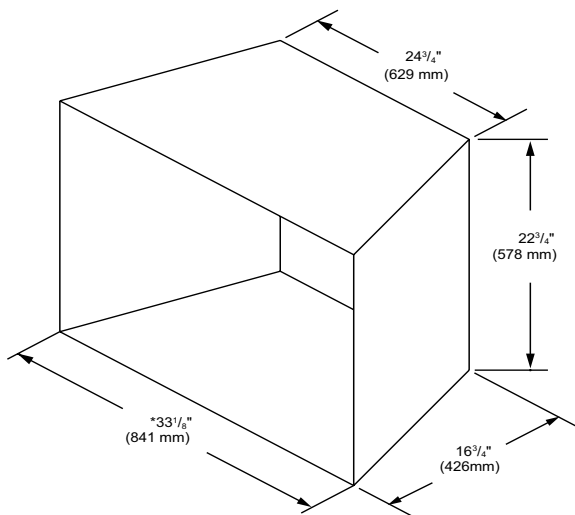
FIELD INSTALLED ACCESSORIES

- Three sided surrounds available:
 - ICF40S2B 40" W x 29" H x 2" D (1016 mm x 737 mm x 51 mm)
 - ICF40M2B 42" W x 32" H x 2" D (1067 mm x 813 mm x 51 mm)
 - ICF40L2B 48" W x 36" H x 2" D (1219 mm x 914 mm x 51 mm)
- Termination Kits
 - LINK-DV30B Two 30' flex liners and round termination cap
 - LINKSQB-DV30 Two 30' flex liners and square termination cap
 - LINK-CAPB Round cap only
 - LINKSQB-CAP Square cap only
- Conversion kit for LP (required): ICF40LPK

TECHNICAL SPECIFICATIONS

BTU Input: 30,800 - 40,000 Natural Gas
 28,000 - 35,000 Liquid Propane
 Ignition System: Total Signature Command®
 Gas Type: Natural Gas or Liquid Propane
 Gas Line: Shut-off valve and 24" (610 mm) flex line
 Flue Type: 3" (76 mm) intake and 3" exhaust flex vent
 Termination: Intake and exhaust, top center slide connector
 Min./Max. Vent Height: 10' (3 m) min. / 40' (12.9 m) max.
 Design Certified: CSA

MINIMUM FIREPLACE OPENING



CLEARANCE TO COMBUSTIBLES

Front of Fireplace: 36" (914 mm)
 Mantel Clearance: 14" (305 mm) min. / 12" Depth (305 mm) max.
 Firebox Opening to Side Wall: 10" (254 mm)
 Hearth Requirement: 10" min. depth (254 mm); hearth should extend to outer edges of surround

EFFICIENCY DATA

AFUE Efficiency: 68.66% NG / 69.49% LP
 Canadian P4 Efficiency: 77.3% NG / 77.8% LP

MINIMUM FIREPLACE OPENING

33 1/8" W (Front) x 22 3/4" H x 16 3/4" D x 24 3/4" W (Rear)
 (841 mm x 578 mm x 425 mm x 629 mm)



To avoid personal injury or property damage, the product described by this brochure must be installed, operated and maintained in strict compliance with the instructions packaged with the product and all applicable building or fire codes. Contact local building or fire officials about restrictions and installation inspection requirements. All photographs and drawings on this brochure are for illustrative purposes only and are not intended for, nor should they be used as a substitute for the instructions packaged with the unit. Appearance and specifications of the product are subject to change without notice. © 2015 Hearth & Home Technologies 1215v3