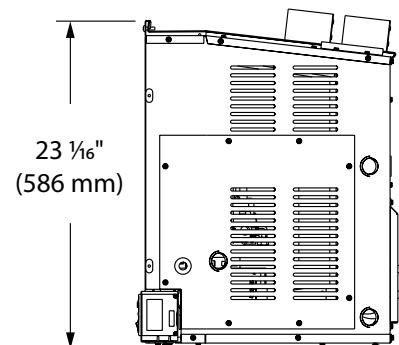
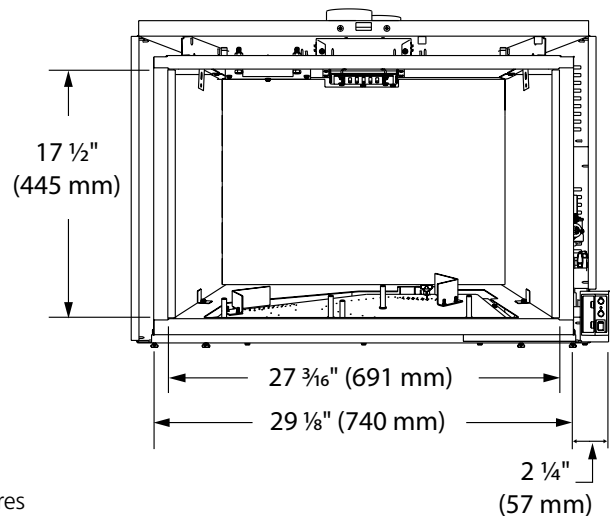
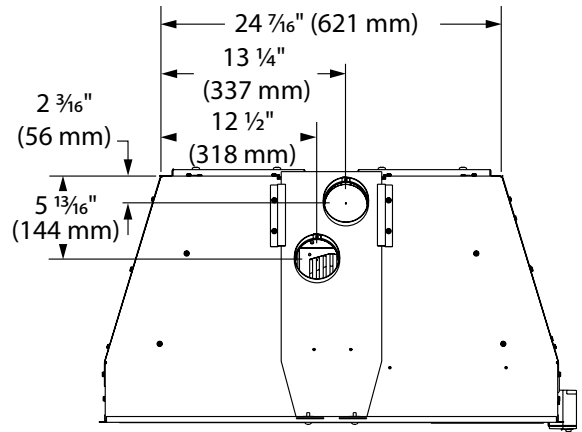


PRODUCT SPECIFICATIONS  
**VC41CDVI VICTORY**  
**DIRECT VENT GAS INSERT**



**ACTUAL DIMENSIONS**

Actual size: 31<sup>3</sup>/<sub>8</sub>" W x 22<sup>1</sup>/<sub>4</sub>" H x 16" D (797 mm x 572 mm x 406 mm)  
 Viewing area: 27<sup>3</sup>/<sub>16</sub>" W x 17<sup>1</sup>/<sub>2</sub>" H, 477 in.<sup>2</sup> (691 mm x 445 mm), 3075 cm<sup>2</sup>

**FEATURES**

- Direct vent gas insert with louverless flush face and simple, transitional styling
- Dual pan burner provides beautiful yellow flame and is easy to remove for servicing or gas conversion
- Total Signature Command™ with hand held touch screen remote control and A/C module
- Dual blower (160 cfm)
- Illumination kit

**TOTAL SIGNATURE COMMAND FEATURES**

- A/C control with automatic battery back-up for operation during power failures
- Electronic ignition saves money and energy
- Optional cold climate pilot setting keeps flue warm, prevents condensation on door glass and keeps cold air from entering the home through the chimney
- Hi/Lo 3-step flame adjustment to run unit at your desired level of comfort
- Smart Mode® thermostat for enhanced energy efficiency
- Memory shut off remembers your favorite setting the next time the fireplace is turned on

**FIELD INSTALLED ACCESSORIES**

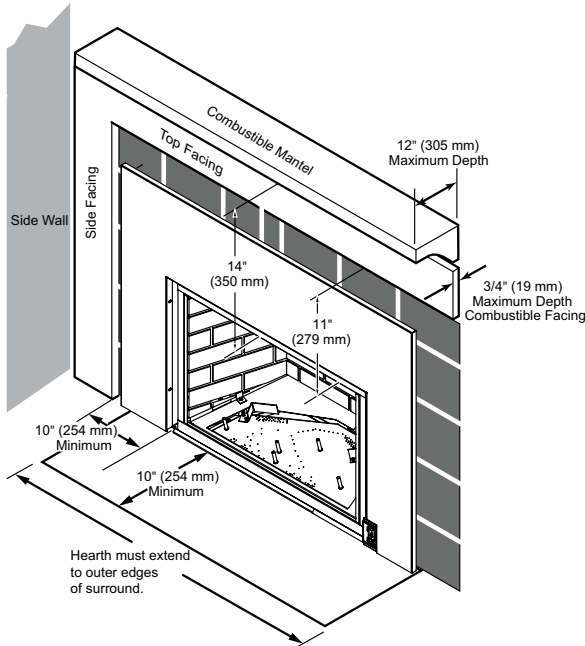
- Liner kits available in Old Word 3-D brick, New England 3-D fieldstone, black porcelain
- Floating face available in Satin Black, Vintage Iron, Textured Mocha, Antique Copper
- Glass trim available in Vintage Iron or Textured Mocha
- Rustic arched or rectangular doors in Distressed Black Copper or Distressed Buff Pewter
- Contemporary arched or rectangular double doors in Satin Black, Vintage Iron, Textured Mocha, Antique Copper

A Brand of Vermont Castings Group  
 149 Cleveland Drive, Paris, Kentucky 40361  
[www.vermontcastings.com](http://www.vermontcastings.com)

PRODUCT SPECIFICATIONS  
**VC41CDVI VICTORY CONTEMPORARY  
 DIRECT VENT GAS INSERT**



**INSERT CLEARANCES**



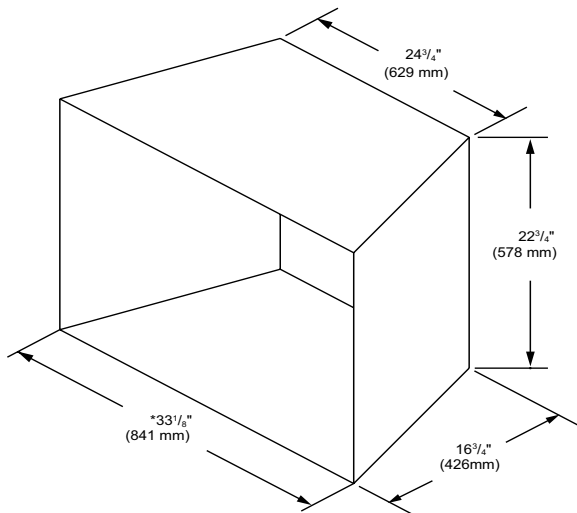
**FIELD INSTALLED ACCESSORIES**

- Three sided surrounds available:
  - ICF40S3B 29" H x 40<sup>3</sup>/<sub>8</sub>" W x 2" D (side facing control) (737 mm x 1026 mm x 51 mm)
  - ICF40S3FB 32" H x 42" W x 5/8" D (front facing control) (813 mm x 1067 mm x 16 mm)
  - ICF40M3FB 36" H x 48" W x 5/8" D (front facing control) (914 mm x 1219 mm x 16 mm)
  - ICF40C3B 38" H x 43<sup>3</sup>/<sub>8</sub>" W x 18 gauge trimmable (front facing control) (865 mm x 1102 mm)
- Termination Caps
  - 8" x 12" (HEDV32T812)
  - 12" x 12" (HEDV32T1212)
- Aluminum flex liner kits:
  - (2) 3" x 25' (76 mm x 7.6 m) (HEDVK25)
  - (2) 3" x 35' liners (76 mm x 10.7 m) (HEDVK35)
- Conversion kit for LP (required)

**TECHNICAL SPECIFICATIONS**

BTU Input: 30,800 - 40,000 Natural Gas  
 28,000 - 35,000 Liquid Propane  
 Ignition System: Total Signature Command™  
 Gas Type: Natural Gas or Liquid Propane  
 Gas Line: Shut-off valve and 24" (610 mm) flex line  
 Flue Type: 3" (76 mm) intake and 3" exhaust flex vent  
 Termination: Intake and exhaust, top center slide connector  
 Min./Max. Vent Height: 10' (3 m) min. / 40' (12.9 m) max.  
 Design Certified: CSA

**MINIMUM FIREPLACE OPENING**



**CLEARANCE TO COMBUSTIBLES**

Front of Fireplace: 36" (914 mm)  
 Mantel Clearance: 14" (305 mm) min. / 12" Depth (305 mm) max.  
 Firebox Opening to Side Wall: 10" (254 mm)  
 Hearth Requirement: 10" min. depth (254 mm); hearth should extend to outer edges of surround

**EFFICIENCY DATA**

AFUE Efficiency: 68.66% NG / 69.49% LP  
 Canadian P4 Efficiency: 77.3% NG / 77.8% LP

**MINIMUM FIREPLACE OPENING**

33<sup>1</sup>/<sub>8</sub>" W (Front)\* x 22<sup>3</sup>/<sub>4</sub>" H x 16<sup>3</sup>/<sub>4</sub>" D x 24<sup>3</sup>/<sub>4</sub>" W (Rear)  
 (841 mm x 578 mm x 425 mm x 629 mm)

\*29<sup>5</sup>/<sub>8</sub>" (759 mm) with control box and bracket removed.



To avoid personal injury or property damage, the product described by this brochure must be installed, operated and maintained in strict compliance with the instructions packaged with the product and all applicable building or fire codes. Contact local building or fire officials about restrictions and installation inspection requirements. All photographs and drawings on this brochure are for illustrative purposes only and are not intended for, nor should they be used as a substitute for the instructions packaged with the unit. Appearance and specifications of the product are subject to change without notice. © 2013 Vermont Castings Group 1113v1