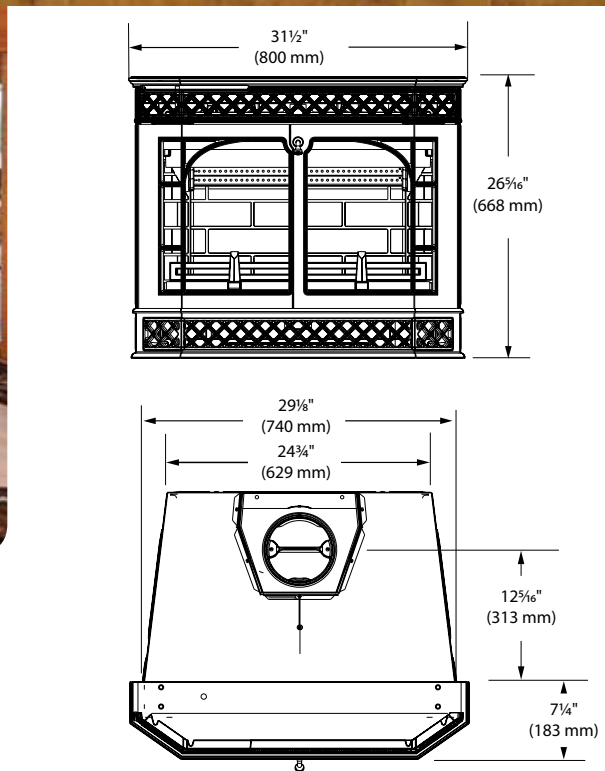


PRODUCT SPECIFICATIONS MERRIMACK WOOD BURNING INSERT



DIMENSIONS

Actual Size: 31½" W x 26⅝" H x 25⅜" D
 Glass Viewing Area: 330 sq. in.
 Minimum Fireplace Opening: 29¾" W x 23¾" H x 18½" D x 25" W (rear)

FEATURES

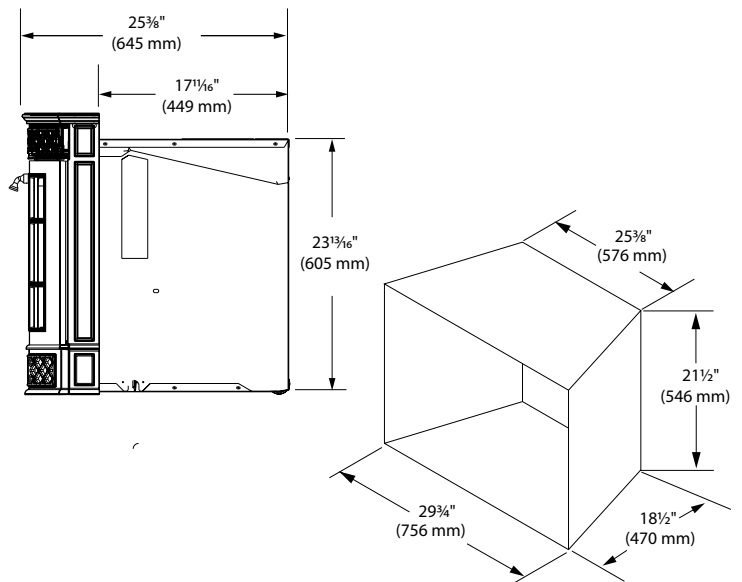
- Available in Classic Black
- Log Length: up to 22"
- Firebox Volume: up to 40 lbs.
- Burn Time: up to 12 hours
- Heating Capacity: up to 2,000 sq. ft.
- 150 cfm twin cylindrical blowers included
- Maximum Heat Output: 55,000 BTUs/hr.
- Efficiency Rating: 75%
- EPA Emissions Rating: 3.6 grams/hr.
- Weight: 480 lbs
- Flue Collar: 6" round

CLEARANCES

- Side trim (1½" max. projection): 22¾"
- Side trim (projection > 1½")/Side wall: 31¼"
- Mantel (12" max. projection): 43"
- Top trim (1½" max. projection): 41"
- Floor protection: extend 8" on either side (46½" total)
 extend 18" from front of insert (25" total)

FIELD INSTALLED ACCESSORIES

- Northfield cast iron surround in Classic Black (NORCSCB)
- Exeter steel surround in Classic Black (EXSSCB)



A Brand of Vermont Castings Group
 149 Cleveland Drive
 Paris, Kentucky 40361
www.vermontcastings.com



Warning: Hot glass will cause burns. Do not touch glass until cooled. Never allow children to touch glass.

To avoid personal injury or property damage, the product described by this brochure must be installed, operated and maintained in strict compliance with the instructions packaged with the product and all applicable building or fire codes. Contact local building or fire officials about restrictions and installation inspection requirements. All photographs and drawings on this brochure are for illustrative purposes only and are not intended for, nor should they be used as a substitute for the instructions packaged with the unit. Appearance and specifications of the product are subject to change without notice. © 2014 Vermont Castings Group 0614 v2