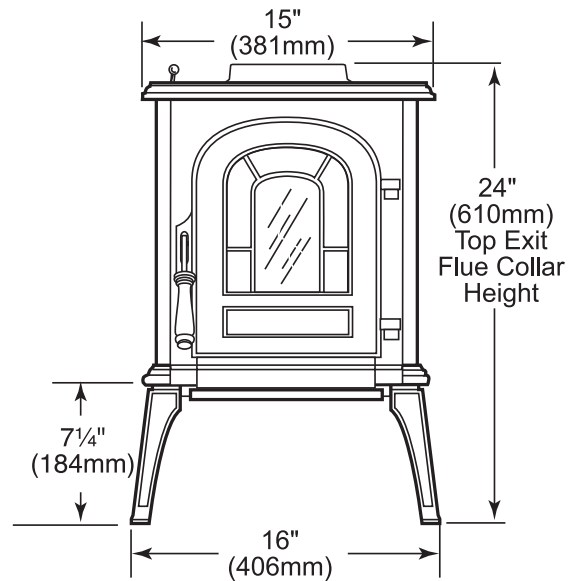


PRODUCT SPECIFICATIONS
ASPEN NON-CATALYTIC WOOD STOVE



ACTUAL DIMENSIONS

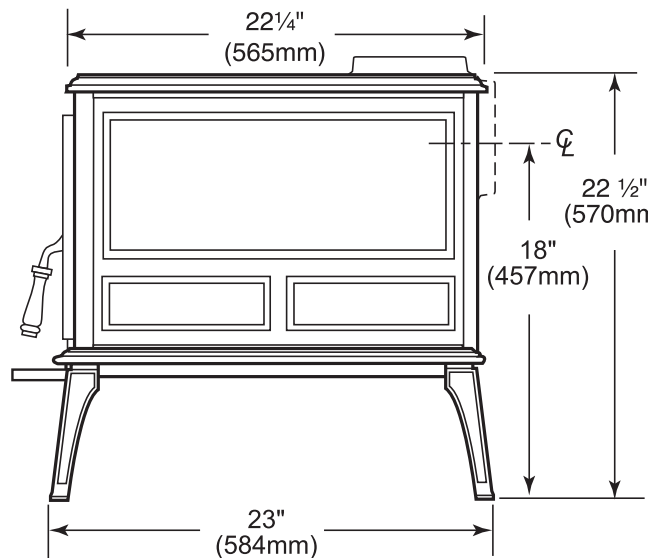
- Unit Depth: 23" (584 mm)
- Unit Height: 24" (610 mm)
- Unit Width: 16" (406 mm)

TECHNICAL INFORMATION

- Log Length: up to 16" (406 mm)
- Burn Time: up to 5 hours
- Heating Capacity: up to 800 sq. ft. (74 m²)
- Maximum Heat Output: 28,500 BTUs/hr.
- Efficiency Rating: 81%
- EPA Emissions Rating: 4.3 grams/hr.
- Weight: 240 lbs. (109 kg)
- Flue Collar: 6" round, reversible
- Firebox Volume: 1 cubic foot (.03 m³)
- Clearances (with optional heat shields)
- Back: 9" (229 mm)
- Corner: 13" (330 mm)
- Side: 24" (610 mm)

FIELD INSTALLED ACCESSORIES

- Outside air adaptor
- Available in Classic Black and Bordeaux



A Brand of Monessen Hearth Systems Co.
 149 Cleveland Drive, Paris, Kentucky 40361
www.vermontcastings.com

SEE BACK FOR MORE INFORMATION

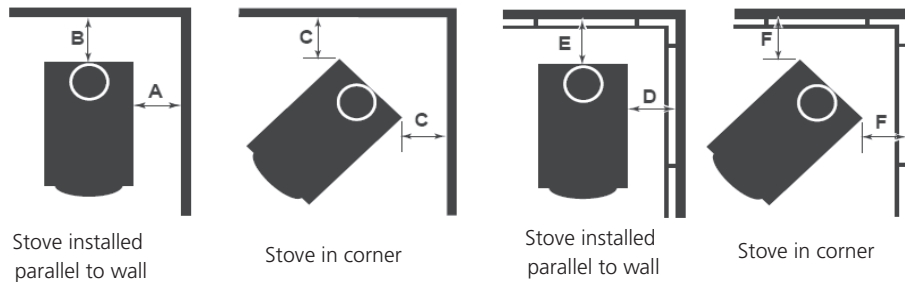
PRODUCT SPECIFICATIONS ASPEN NON-CATALYTIC WOOD STOVE

(CONTINUED)



STOVE CLEARANCES

	UNPROTECTED SURFACE			PROTECTED SURFACE		
	PARALLEL INSTALLATION Side (A)	REAR INSTALLATION Rear (B)	CORNER INSTALLATION Corner (C)	PARALLEL INSTALLATION Side (D)	REAR INSTALLATION Rear (E)	CORNER INSTALLATION Corner (F)
No heat shields	24" (610 mm)	13" (330 mm)	13" (330 mm)	16" (406 mm)	9" (229 mm)	8" (203 mm)
Top exit, rear heat shield only ¹	24" (610 mm)	11" (279 mm)	13" (330 mm)	16" (406 mm)	9" (229 mm)	8" (203 mm)
Rear exit, rear heat shield only	24" (610 mm)	11" (279 mm)	N/A	16" (406 mm)	9" (229 mm)	N/A
Top exit, rear heat shield, single wall, connector shields ^{1,2}	24" (610 mm)	9" (229 mm)	13" (330 mm)	16" (406 mm)	9" (229 mm)	8" (203 mm)
Top exit, rear heat shield, double wall, connector shields ^{1,3}	24" (610 mm)	7" (178 mm)	13" (330 mm)	16" (406 mm)	7" (178 mm)	8" (203 mm)



¹When a rear heat shield is installed on a top exit stove, the shield insert must be attached to the shield so the area behind the blue collar on the stove is protected.

²Chimney connector heat shields must extend exactly 24" (610 mm) above the top of the stove. No shielding can be used on the connector above 24" (610 mm). The unshielded chimney connector above the 24" (610 mm) point must be 13" (330 mm) from an unprotected wall.

³In top exit installations, this clearance requires the use of the rear stove heat shield with the flue collar cover plate installed.



To avoid personal injury or property damage, the product described by this brochure must be installed, operated and maintained in strict compliance with the instructions packaged with the product and all applicable building or fire codes. Contact local building or fire officials about restrictions and installation inspection requirements. All photographs and drawings on this brochure are for illustrative purposes only and are not intended for, nor should they be used as a substitute for the instructions packaged with the unit. Appearance and specifications of the product are subject to change without notice. © 2011 Monessen Hearth Systems Co.