

PRODUCT SPECIFICATIONS

# Peninsula (LPF36) Designer Vent Free Firebox



LOVE AT FIRST LIGHT



Peninsula LPF36 Designer Vent Free Firebox

**ACTUAL DIMENSIONS**

- Actual size: 42-3/16" W x 34-1/2" H x 23-3/4" D  
(1072 mm x 876 mm x 603 mm)
- Viewing area: 35-15/16" W x 27" H  
(913 mm x 686 mm)
- Framing Dimensions: 35-5/16" W x 27-3/4" H x 21-15/16" D  
(897 mm x 705 mm x 557 mm)

**MINIMUM HEARTH DIMENSIONS**

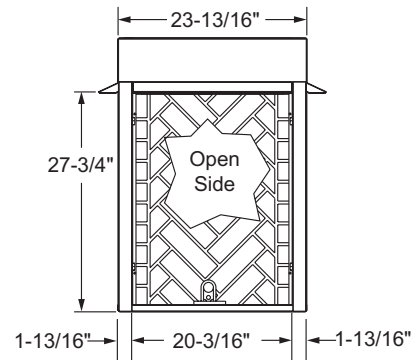
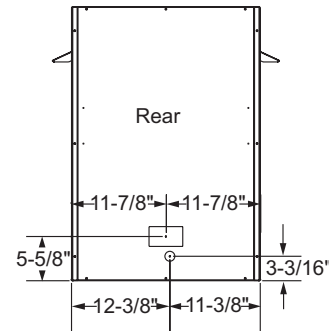
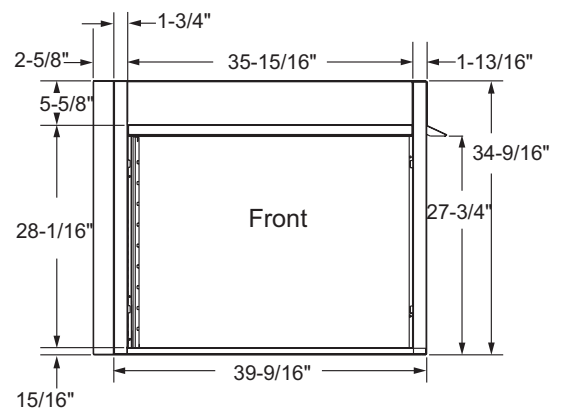
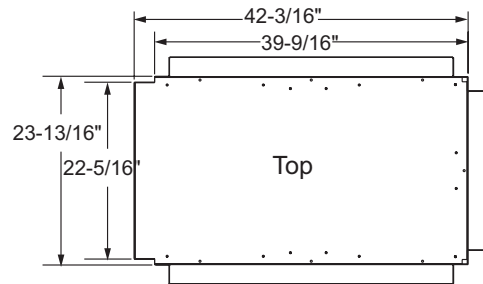
- Opening width: 21-15/16"
- Opening height: 27-3/4"
- Firebox depth: 35-3/16"

**FIELD INSTALLED ACCESSORIES**

- Variable Thermostat Controlled Forced Air Blower

**TECHNICAL INFORMATION**

- Clearance to Fireplace: Zero
- CSA Design Certified



149 Cleveland Drive, Paris, Kentucky 40361  
[www.monessenhearth.com](http://www.monessenhearth.com)

To avoid personal injury or property damage, the product described by this brochure must be installed, operated and maintained in strict compliance with the instructions packaged with the product and all applicable building or fire codes. Contact local building or fire officials about restrictions and installation inspection requirements. All photographs and drawings on this brochure are for illustrative purposes only and are not intended for, nor should they be used as a substitute for the instructions packaged with the unit. Appearance and specifications of the product are subject to change without notice. 1215v2 © 2015 Hearth & Home Technologies