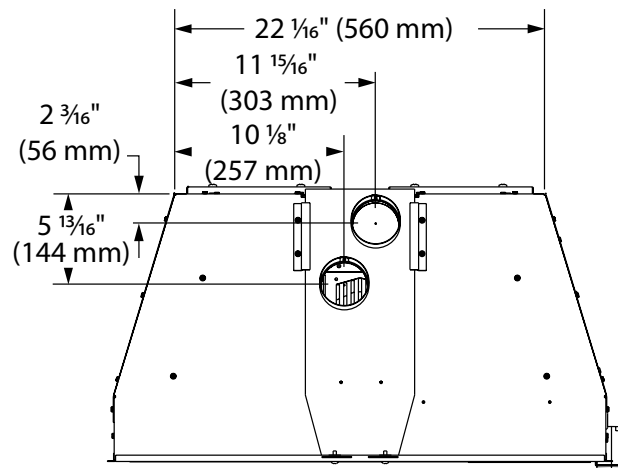


## PRODUCT SPECIFICATIONS

# ICFDV30CNTSC Harmony Direct Vent Gas Insert



### ACTUAL DIMENSIONS

Actual size: 29"W x 20"H x 16"D (737 mm x 508 mm x 406 mm)

Viewing area: 26  $\frac{1}{4}$ "W x 16  $\frac{1}{8}$ "H, 409 in.<sup>2</sup> (667 mm x 411 mm), 2638 cm<sup>2</sup>

### FEATURES

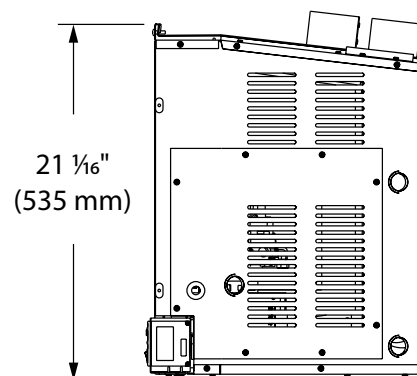
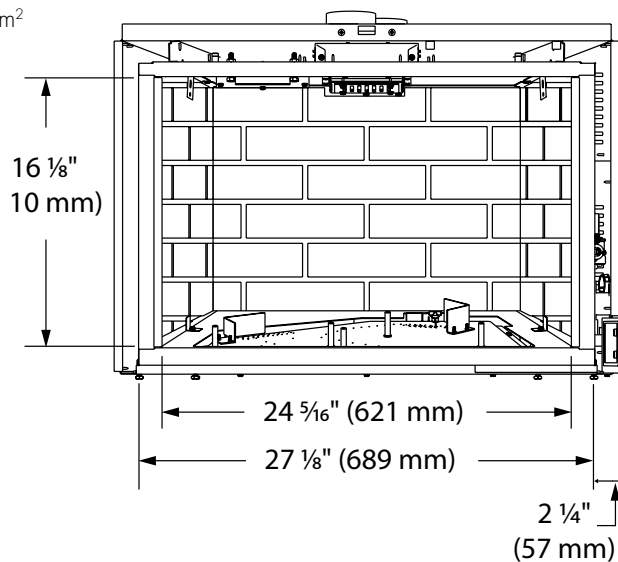
- Direct vent gas insert with louverless flush face and sleek, contemporary styling
- Black porcelain liner panels
- Stone and fire-glass kit
- Natural Blaze burner that produces beautiful yellow flames with strikingly realistic movement
- Total Signature Command with hand held touch screen remote control (TSFSC) and A/C module (SCSACM)
- Dual blower (160 cfm)

### TOTAL SIGNATURE COMMAND FEATURES

- A/C control with automatic battery back-up for operation during power failures
- Electronic ignition saves money and energy
- Optional cold climate pilot setting keeps flue warm, prevents condensation on door glass and keeps cold air from entering the home through the chimney
- Hi/Lo 3-step flame adjustment to run unit at your desired level of comfort

### FIELD INSTALLED ACCESSORIES

- Square, contemporary face available in Textured Black or Iron Age
- Glass trim available in Vintage Iron or Textured Mocha
- Floating face and arched or rectangular double doors available in Satin Black, Vintage Iron or Textured Mocha
- Illumination kit
- Additional glass kits in a variety of colors



149 Cleveland Drive, Paris, Kentucky 40361

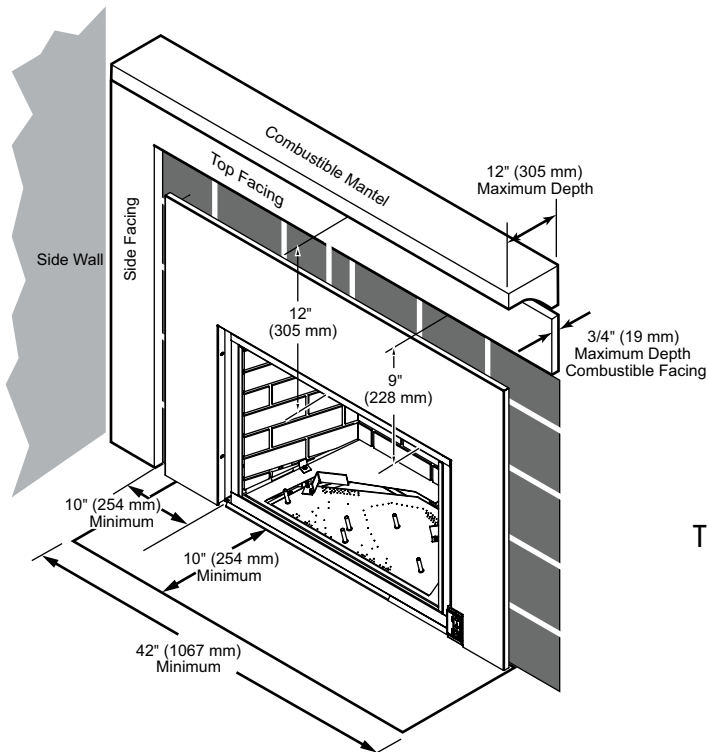
[www.monessenhearth.com](http://www.monessenhearth.com)

See back for more technical information.

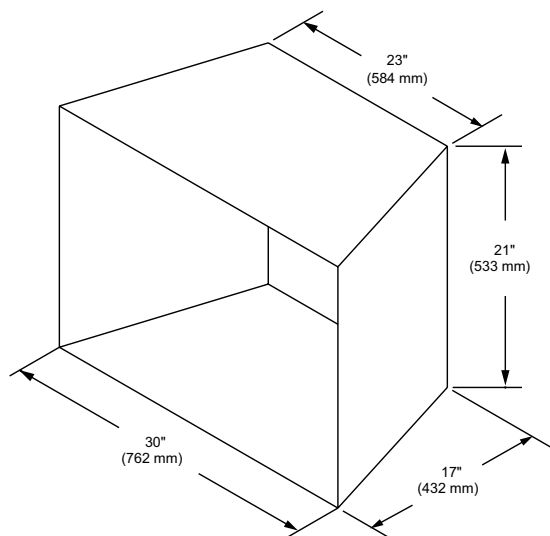
# ICFDV30CNTSC Harmony Direct Vent Gas Insert



## INSERT CLEARANCES



## MINIMUM FIREPLACE OPENING



## FIELD INSTALLED ACCESSORIES

- Three sided surrounds available:
  - ICF30S3B 26"H x 38"W x 2"D (side facing control)  
(660 mm x 965 mm x 51 mm)
  - ICF30S3FB 26"H x 38"W x 5/8"D (front facing control)  
(660 mm x 965 mm x 16 mm)
  - ICF30M3FB 30"H x 42"W x 5/8"D (front facing control)  
(762 mm x 1065 mm x 16 mm)
  - ICF30C3B 36"H x 44"W x 1/8"D trimmable (front facing control)  
(914 mm x 1118 mm x 3 mm)
- Termination Caps
  - 8" x 12" (HEDV32T812)
  - 12" x 12" (HEDV32T1212)
- Aluminum flex liner kits:
  - (2) 3" x 25' (76 mm x 7.6 m) (HEDVK25)
  - (2) 3" x 35' liners (76 mm x 10.7 m) (HEDVK35)
- Conversion kit for LP (required)

## TECHNICAL SPECIFICATIONS

BTU Input: 31,000 - 22,500 Natural Gas  
29,000 - 21,500 Liquid Propane  
Ignition System: Total Signature Command  
Gas Type: Natural Gas or Liquid Propane  
Gas Line: Shut-off valve and 24" (610 mm) flex line  
Flue Type: 3" (76 mm) intake and 3" exhaust flex vent  
Termination: Intake and exhaust, top center slide connector  
Min./Max. Vent Height: 10' (3 m) min. / 40' (12.9 m) max.  
Design Certified: CSA

## CLEARANCE TO COMBUSTIBLES

Front of Fireplace: 36" (914 mm)  
Mantel Clearance: 12" (305 mm) min. / 12" Depth (305 mm) max.  
Firebox Opening to Side Wall: 10" (254 mm)  
Hearth Requirement: 10" (254 mm)

## EFFICIENCY DATA

AFUE Efficiency: 67.2% NG / 71.5% LP  
Canadian P4 Efficiency: Up to 71.9% NG / 83.7% LP

## MINIMUM FIREPLACE DIMENSIONS

30"W (Front) x 21"H x 17"D x 23"W (Rear)  
(762 mm x 533 mm x 432 mm x 584 mm)

