

# 36CFDV Patriot Direct Vent Fireplace System



## ACTUAL DIMENSIONS

Actual size: 37"W x 34<sup>1</sup>/<sub>6</sub>"H x 15<sup>1</sup>/<sub>6</sub>"D  
(940 mm x 884 mm x 405 mm)

Viewing area: 29<sup>1</sup>/<sub>6</sub>"W x 19<sup>7</sup>/<sub>8</sub>"H, 577 in<sup>2</sup>  
(738 mm x 505 mm, 3726 cm<sup>2</sup>)

## STANDARD FEATURES

- Direct vent gas fireplace with louverless flush face and sleek, modern styling
- Ember bed burner with realistic flame color and movement, complete with lava rock and ceramic fiber logs
- Available with millivolt or IPI system
- Field convertible natural gas or liquid propane
- Field convertible top or rear vent
- Junction box included
- Nailing tabs for 1/2" (12.7 mm) and 5/8" (15.9 mm)
- 15' (4.5 mm) low voltage wire wall switch and cover
- 18" (473 mm) flex line with shutoff valve

## FIELD INSTALLED ACCESSORIES

- Manual 160 cfm blower and cord (FK12)
- Variable thermostat controlled dual forced air blower (BLOT)
- Natural gas and liquid propane conversion kits
- Remote ready
- Cottage Clay or Cottage Red firebrick
- Porcelain black liner kit
- Contemporary stone and glass kit
- Optional fireglass colors include Diamond, Onyx, Sapphire, and Bronze
- Optional mesh screen glass cover

## TECHNICAL SPECIFICATIONS

BTU Input: 21,000 - 15,000 natural gas  
21,000 - 17,500 liquid propane

Ignition System: Millivolt or IPI

Gas Type: Natural gas or liquid propane

Gas Line: 18" (473 mm) flex line w/shut off 1/2" (12.7 mm) FPT

Flue Type: 4 x 7 Twist-Lock, flex vent

Termination: Rear/top vent, field convertible

Horizontal Vent: Maximum 20" (508 mm) straight off rear of unit

Minimum Height Top Venting Before Elbow: 0"

Low Voltage Wall Switch Wire: 15' (4.5 mm) wire with wall switch and cover

Design Certified: CSA

## CLEARANCE TO FLUE

Minimum 3" (76 mm) clearance to the top along horizontal length until flue penetrates outside wall\*

Minimum of 1" (25 mm) clearance to combustibles permitted at outside wall

## CLEARANCE TO COMBUSTIBLES

Fireplace: 0" clearance to standoffs on all sides

Floor of Unit to Ceiling: 72" (1.83 m) to combustibles

Firebox Opening to Wall: 6" (152 mm)

Hearth Requirement: 0"

## EFFICIENCY DATA

Thermal Efficiency: 64.1% NG/70% LP

AFUE (Annual Fuel Utilization Efficiency): 62% NG/66.2% LP

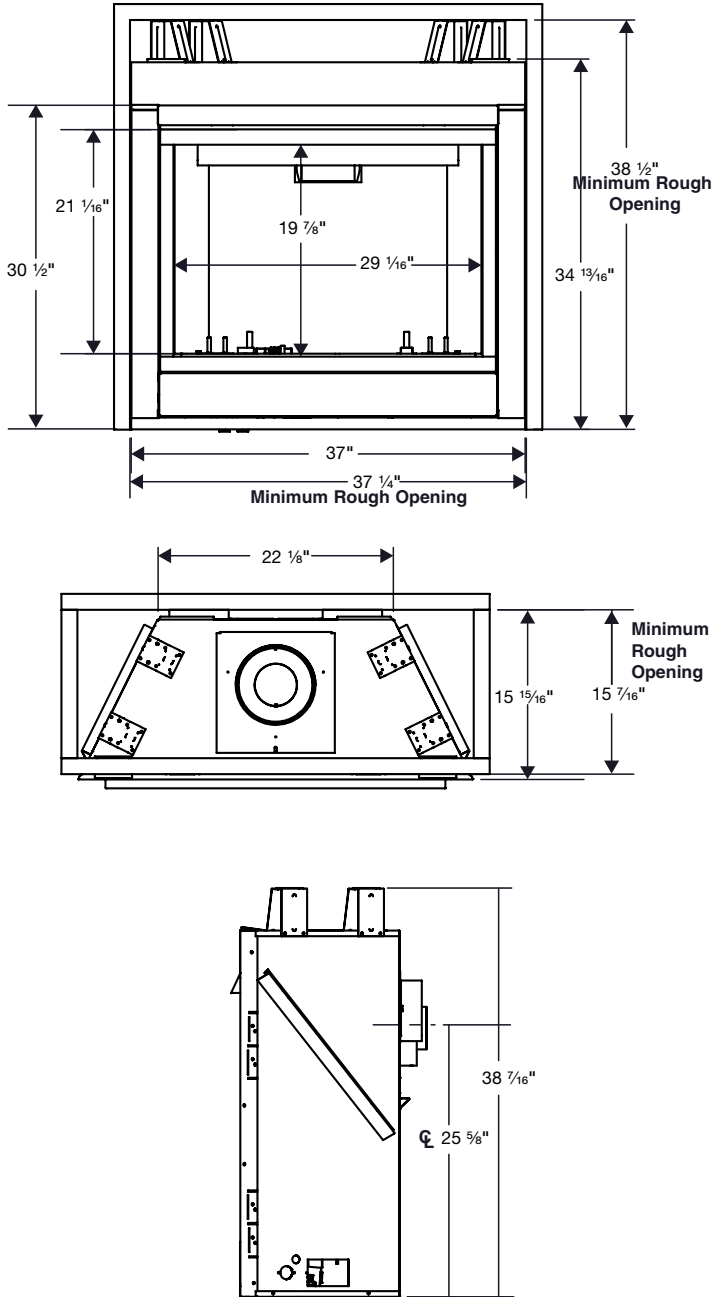
Canadian P4 Efficiency: 66.2% NG/71.6% LP

\*When vertical rise is 7 1/2' (2.29 m) or higher from base of unit, the horizontal vent clearance to combustibles is 1" (25 mm) on all sides.

# 36CFDV Patriot Direct Vent Fireplace System

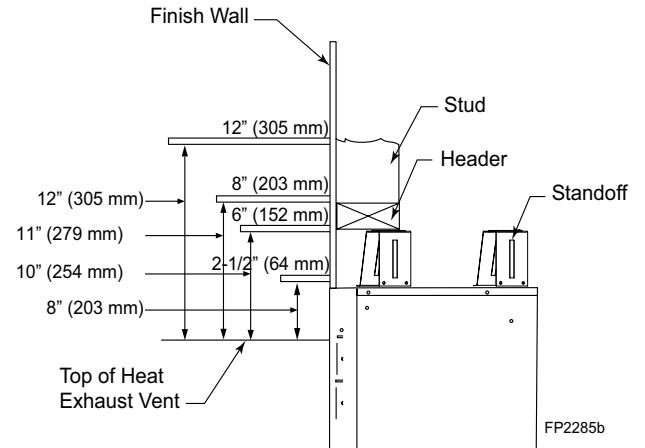


## FRAMING DIMENSIONS

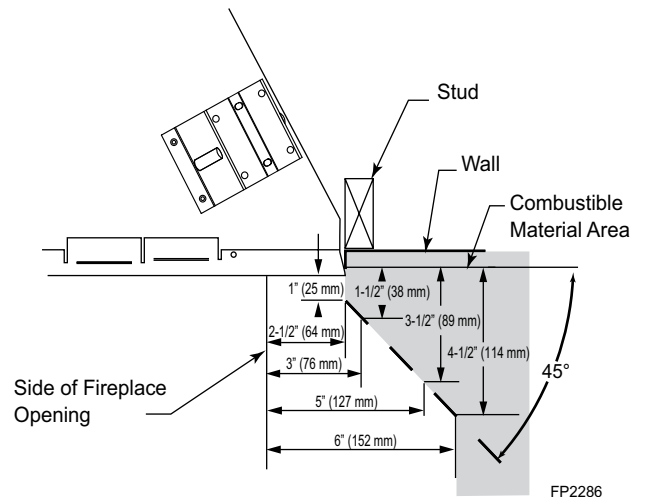


## MANTEL CLEARANCES

NOTE: The combustible area above the facing must not protrude more than 3/4" (19 mm) from the facing. If it does, it is considered a mantel and must meet the mantel requirements listed here.



Side View



Front View



A Brand of Vermont Castings Group  
149 Cleveland Drive, Paris, Kentucky 40361  
[www.monessenhearth.com](http://www.monessenhearth.com)

To avoid personal injury or property damage, the product described by this brochure must be installed, operated and maintained in strict compliance with the instructions packaged with the product and all applicable building or fire codes. Contact local building or fire officials about restrictions and installation inspection requirements. All photographs and drawings on this brochure are for illustrative purposes only and are not intended for, nor should they be used as a substitute for the instructions packaged with the unit. Appearance and specifications of the product are subject to change without notice. ©2014 Vermont Castings Group 0314v1