

## PRODUCT SPECIFICATIONS

# SB100/SB100HB Biltmore Radiant Wood Burning Fireplace



### DIMENSIONS

Actual size: 60 $\frac{5}{8}$ " W x 70 $\frac{1}{2}$ " H x 29 $\frac{1}{2}$ " D x 41 $\frac{5}{8}$ " RW  
(1540 mm x 1791 mm x 749 mm x 1057 mm)

Viewing area: 50" W x 33" H (1650 sq. in.)  
(1270 mm X 838 mm, 1.1 m<sup>2</sup>)

Framing Dimensions: 61 $\frac{5}{8}$ " W x 71" H x 30 $\frac{1}{2}$ " D  
(1565 mm x 1803 mm x 775 mm)

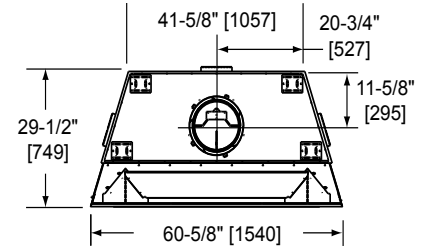
**NOTE:** Eight (8) inches (203 mm) of extra framing space needed (both sides) for outside air connection.

### STANDARD FEATURES

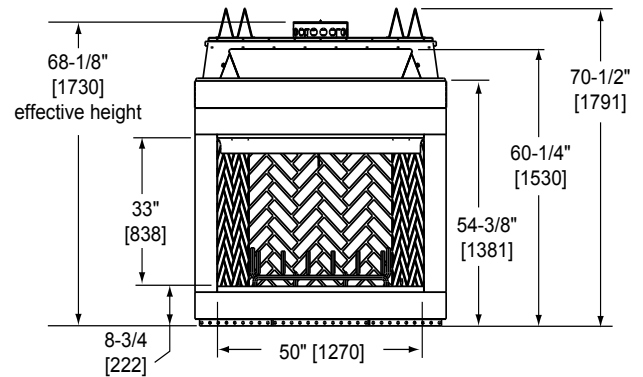
- Clean face design enables non-combustible finishing materials to be applied up to firebox opening
- Impressive, masonry-style traditional or herringbone molded brick panels
- Powder coated finish
- Safety firescreen
- Dual gas knockouts
- Steel grate
- Outside air kit standard
- Attic insulation shield standard
- UL/ULC Listed

### OPTIONAL FIELD INSTALLED ACCESSORIES

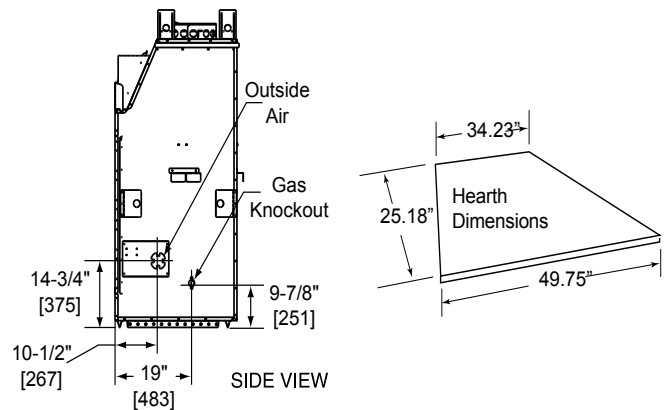
- Bi-fold glass doors with Black trim (DM100)
- Grand Vista cabinet style mesh doors with Black trim (GV100BK)
- Contour cabinet style mesh doors with Black trim (CONTOUR100BK)
- SL1100 series termination caps
- 4" insulated flex duct for outside air (ID4)
- 4" uninsulated flex duct for outside air (UD4)
- Chimney air kit (CAK5A)
- Gas logs



TOP VIEW



FRONT VIEW



Framing dimensions in illustrations accommodate 1/2" finishing material.

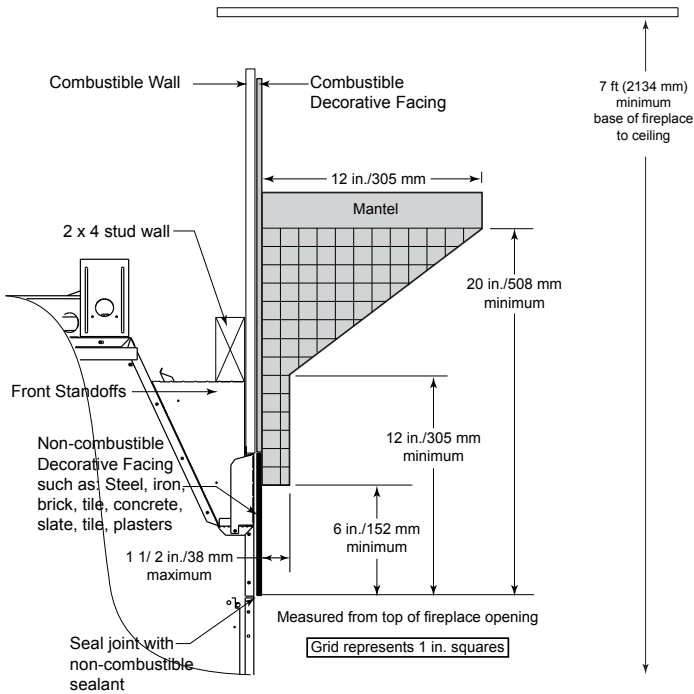
Note: The SB100/SB100H is not approved for sale or use in Canada.

## PRODUCT SPECIFICATIONS

# SB100/SB100HB Biltmore Radiant Wood Burning Fireplace



### MANTEL CLEARANCES



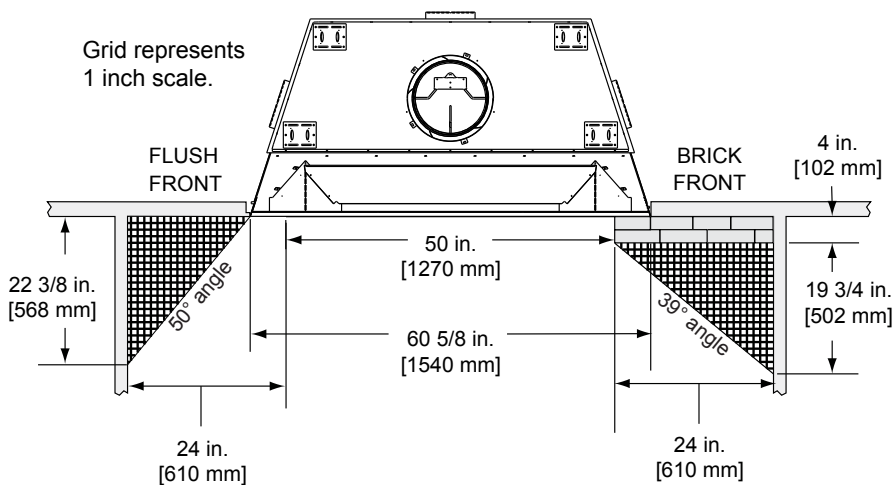
### TECHNICAL SPECIFICATIONS

- Flue series: SL1100 series pipe
- Flue size: 11" (279 mm) inner; 13" (330 mm) outer
- Clearance to flue: 2" (51 mm)
- Firestop framing: 17" x 17" (432 mm x 432 mm)
- Minimum flue height: 20' (6.1 m)
- Maximum flue height: 90' (27.4 m)
- Minimum height with single offset/return: 20.5' (6.2 m)
- Minimum height with double offset/return: 24' (7.3 m)
- Minimum hearth size: 20" D x 74" L (508 mm x 1880 mm)
- UL/ULC design certified

### CLEARANCES

- Clearance to fireplace: 1½" (38 mm)
- Maximum mantel depth: 12" (305 mm) from top of fireplace opening
- Minimum mantel height: 12" (305 mm) from top of fireplace opening
- Adjacent combustible sidewalls: minimum 24" (610 mm) from fireplace opening
- Mantel leg, surround, stub wall, whether combustible or non-combustible may be constructed as shown in the second drawing.

### SURROUND, STUB WALL, MANTEL LEG CLEARANCES



[www.majesticproducts.com](http://www.majesticproducts.com)

To avoid personal injury or property damage, the product described by this brochure must be installed, operated and maintained in strict compliance with the instructions packaged with the product and all applicable building or fire codes. Contact local building or fire officials about restrictions and installation inspection requirements. All photographs and drawings on this brochure are for illustrative purposes only and are not intended for, nor should they be used as a substitute for the instructions packaged with the unit. Appearance and specifications of the product are subject to change without notice. © 2016 Hearth & Home Technologies® - 1216