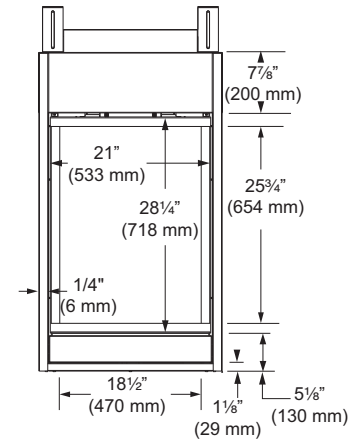


PRODUCT SPECIFICATIONS

PENINSULA (PFLDVD) PEARL DESIGNER Direct Vent System



GLASS VIEWING AREA

Front Opening End: 18-1/2" W x 25-3/4" H
 Front Opening Side: 33-1/16" W x 25-3/4" H

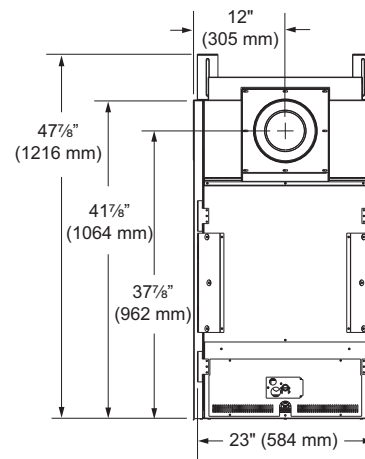
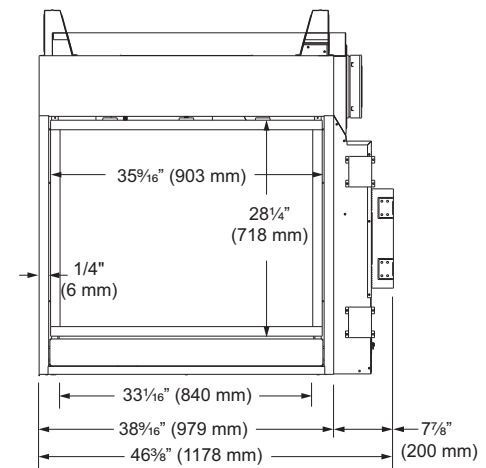
TECHNICAL INFORMATION

Max. Btu Input: 37,000 BTU/HR
 Ignition System: Signature Command™ System
 Gas Type: Natural or LP
 Flue Type: Simpson Dura-Vent, Selkirk Metalbestos, MetalFab
 Termination: Rear/Top Vent Convertible
 Clearance on Flue for Interior: 3" Top 1" Bottom and Sides**
 Clearance on Flue for Outside Wall: 1"
 Clearance on Fireplace: 0"
 CSA Design Certified

FIELD INSTALLED ACCESSORIES

Firebrick: Cottage Red, Olde English
 Variable Thermostat Controlled Forced Air Blower
 (160 cfm) - BLOTSTLT
 Ambient Technologies™ Remote Controls and Thermostats
 Wood Cabinets

** If vertical rise is 7-1/2 feet or higher when in top vent configuration only, the vent clearance to combustibles is 1" on all sides of the horizontal run.



Framing dimensions in illustrations accommodate 1/2" finishing material.



A Brand of Monessen Hearth Systems Co.
 149 Cleveland Drive, Paris, Kentucky 40361
www.majesticproducts.com



To avoid personal injury or property damage, the product described by this brochure must be installed, operated and maintained in strict compliance with the instructions packaged with the product and all applicable building or fire codes. Contact local building or fire officials about restrictions and installation inspection requirements. All photographs and drawings on this brochure are for illustrative purposes only and are not intended for, nor should they be used as a substitute for the instructions packaged with the unit. Appearance and specifications of the product are subject to change without notice.
 © 2010 Monessen Hearth Systems Co. 09/10 ver.1