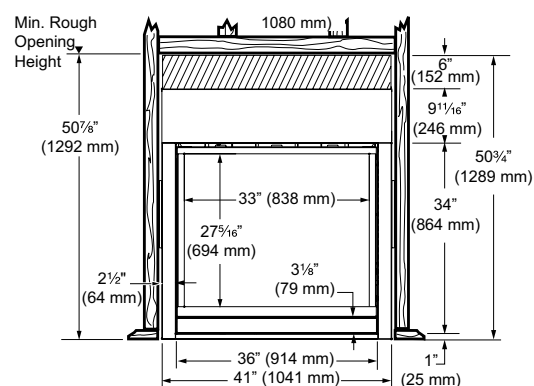
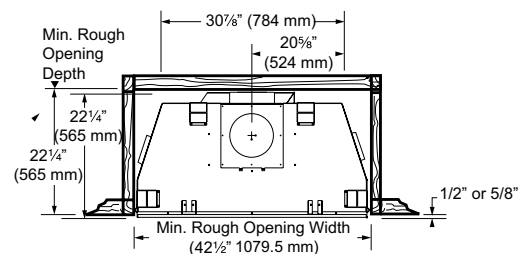


# PRODUCT SPECIFICATIONS

## ML500DVP Onyx Direct Vent Fireplace System



### FRAMING DIMENSIONS



### ACTUAL DIMENSIONS

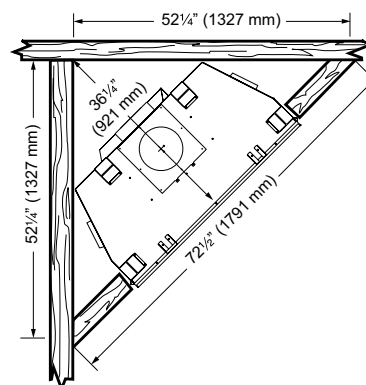
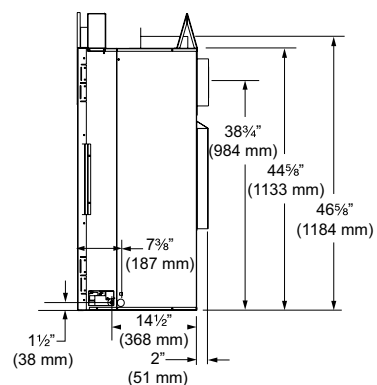
Actual size: 41" W x 44<sup>5</sup>/<sub>8</sub>"H x 22<sup>1</sup>/<sub>4</sub>"D  
(1041 mm x 1133 mm x 565 mm)

Viewing area: 33"W x 27<sup>5</sup>/<sub>16</sub>"H  
(838 mm x 694 mm)

Framing Dimensions: 42<sup>1</sup>/<sub>2</sub>"W x 50<sup>7</sup>/<sub>8</sub>"H x 22<sup>1</sup>/<sub>4</sub>"D  
(1080 mm x 1292 mm x 565 mm)

### FIELD INSTALLED ACCESSORIES

- Firebrick: Cottage Clay or Vintage Brown Herringbone
- Variable Thermostat Controlled Forced Air Blower (160 cfm) - BLOTBLDV
- Signature Command System Dual Forced Blowers (160 cfm)
- BLOTBLDVSC
- Field Conversion Kits
- Ambient Technologies™ Remote Controls and Thermostats
- Safety Screen Barrier Included

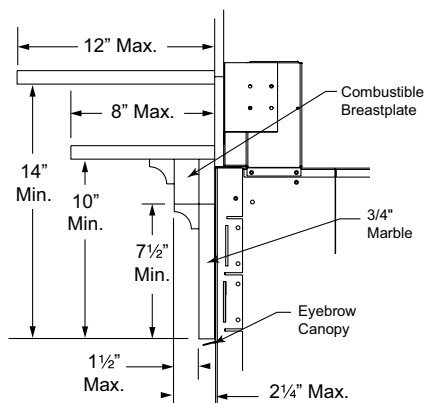
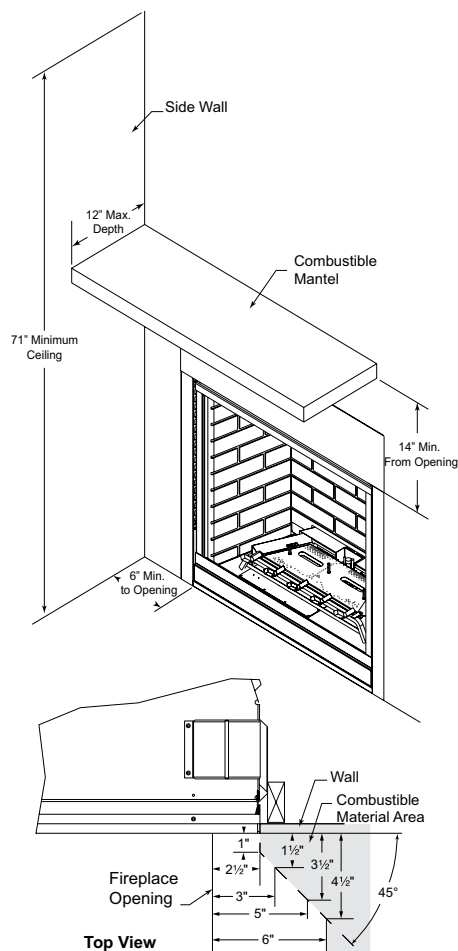


# PRODUCT SPECIFICATIONS

## ML500DVP Onyx Direct Vent Fireplace System



### MANTEL CLEARANCES



### TECHNICAL SPECIFICATIONS

Max. Btu Input: 34,000 BTU/hr  
 Ignition System: Signature Command System  
 Gas Type: Natural or LP  
 Flue Type: Uses DVP pipe which can be converted to SLP (see install manual for details)  
 Termination: Rear/Top Vent Convertible  
 Clearance to Flue for Interior: 3" Top, 1" Bottom and Sides\*\*  
 Clearance to Flue for Outside Wall: 1"  
 Clearance to Fireplace: 1/2"  
 CSA Design Certified

### CLEARANCE TO FLUE

Minimum 6" (152mm) clearance to the top along horizontal length until flue penetrates outside wall\*  
 Minimum of 1" (25 mm) clearance to combustibles permitted at outside wall

### CLEARANCE TO COMBUSTIBLES

Fireplace: 0" clearance to standoffs on all sides  
 Floor of Unit to Ceiling: 71" (1.83 m) to combustibles  
 Firebox Opening to Wall: 4" (102mm)  
 Hearth Requirement: 0"

### EFFICIENCY DATA

Thermal Efficiency: Up to 80%  
 AFUE Efficiency: Up to 67%  
 P4 Canada Efficiency: Up to 76%

\*When vertical rise is 7 1/2" (2.29 mm) or higher from base of unit, the horizontal vent clearance to combustibles is 1" (25 mm) on all sides.



149 Cleveland Drive, Paris, Kentucky 40361  
[www.majesticproducts.com](http://www.majesticproducts.com)

To avoid personal injury or property damage, the product described by this brochure must be installed, operated and maintained in strict compliance with the instructions packaged with the product and all applicable building or fire codes. Contact local building or fire officials about restrictions and installation inspection requirements. All photographs and drawings on this brochure are for illustrative purposes only and are not intended for, nor should they be used as a substitute for the instructions packaged with the unit. Appearance and specifications of the product are subject to change without notice. ©2015 Hearth & Home Technologies® 1115v3