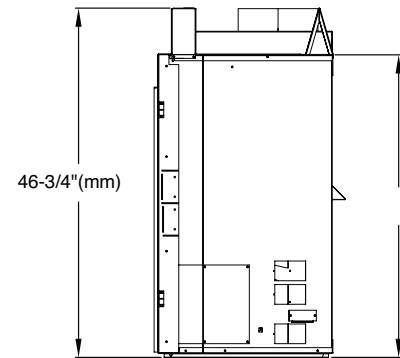
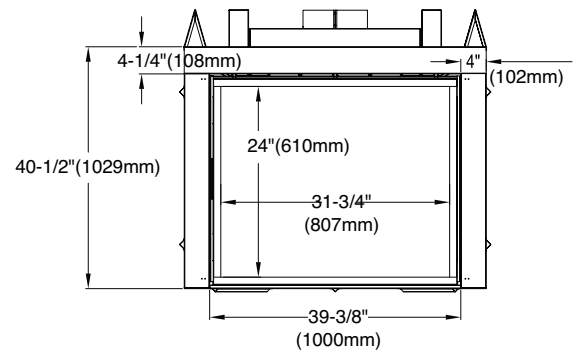
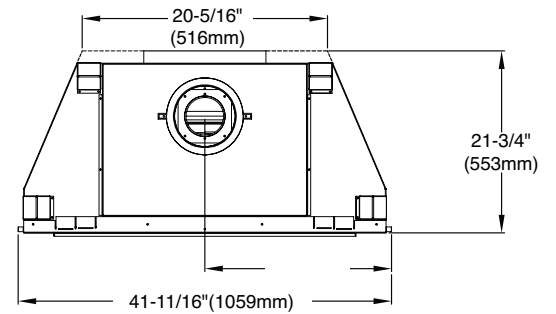


PRODUCT SPECIFICATIONS

LX32 DV Direct Vent Gas Fireplace



FRAMING DIMENSIONS



ACTUAL DIMENSIONS

Actual size: 39³/₈" W x 40¹/₂" H x 21³/₄" D
(1000 mm x 1029 mm x 553 mm)

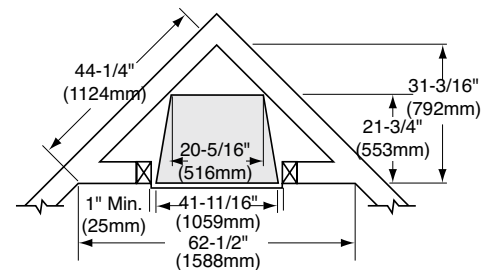
Viewing area: 31³/₄" W x 24"H
(807 mm x 610 mm)

Framing Dimensions: 41¹¹/₁₆" W x 47⁵/₈" H x 21³/₄" D
(1059 mm x 1210 mm x 553 mm)

FIELD INSTALLED ACCESSORIES

- Lexington Decorative Arched Front: Textured Black, Vintage Iron
- Firescreen Door: Textured Black, Vintage Iron
- Ambient Technologies® Remote Controls and Thermostats
- Safety Screen Barrier Included

FRAMING DIMENSIONS



PRODUCT SPECIFICATIONS

LX32 DV Direct Vent Gas Fireplace

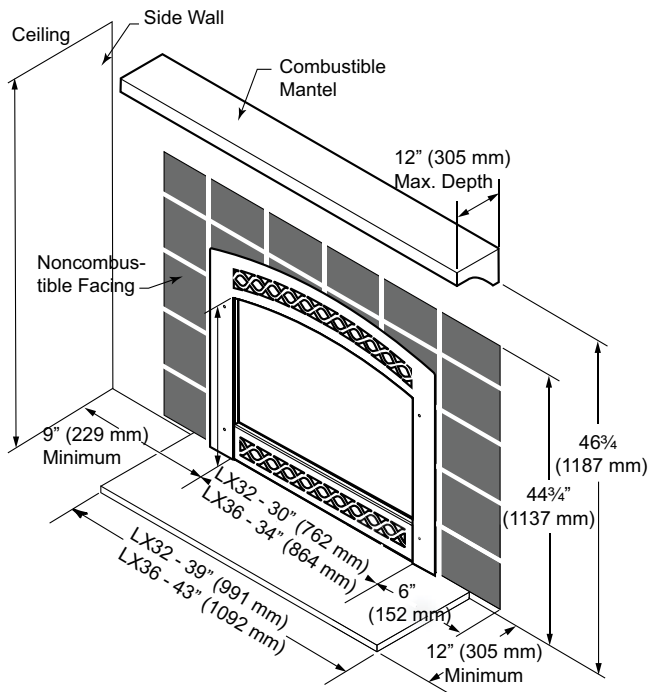


MANTEL CLEARANCES

NOTE: The combustibles area above the facing must not protrude more than 3/4" from the facing. If it does, it is considered a mantel and must meet the mantel requirements listed in the owner's manual.

HEARTH REQUIREMENTS

The fireplace must be installed on a non-combustible hearth extending a minimum of 12" from the fireplace opening (local codes may require a larger hearth). The hearth must also extend to both sides of the face.



TECHNICAL SPECIFICATIONS

Heating Capacity (Sq. Ft.): 2,200
Fire Viewing Area (Sq. In.): 710
Flue Size: SLP, 4" x 6-5/8"
Fan 135 CFM
Standard heat-activated blower with variable speed control
Up to 80% efficient
Built in adjustable flue restrictor
Convertible top or rear flue outlet
CSA Design Certified

CLEARANCE TO FLUE

Minimum 6" (152mm) clearance to the top along horizontal length until flue penetrates outside wall*
Minimum of 1" (25 mm) clearance to combustibles permitted at outside wall

CLEARANCE TO COMBUSTIBLES

Fireplace: 0" clearance to standoffs on all sides
Firebox Opening to Wall: 9" (229mm)
Hearth Requirement: 0"

EFFICIENCY DATA

Thermal Efficiency: Up to 80%
AFUE Efficiency: Up to 69%
P4 Canada Efficiency: 66.1% (Nat) / 66.2% (LP)

*If vertical rise is 7 1/2' (2.29 m) or higher when in top vent configuration only, the vent clearance to combustibles is 1" (25 mm) on all sides of the horizontal run.



To avoid personal injury or property damage, the product described by this brochure must be installed, operated and maintained in strict compliance with the instructions packaged with the product and all applicable building or fire codes. Contact local building or fire officials about restrictions and installation inspection requirements. All photographs and drawings on this brochure are for illustrative purposes only and are not intended for, nor should they be used as a substitute for the instructions packaged with the unit. Appearance and specifications of the product are subject to change without notice. ©2015 Hearth & Home Technologies 1215v3

149 Cleveland Drive, Paris, Kentucky 40361
www.majesticproducts.com