

PRODUCT SPECIFICATIONS
LCUF32-R Lo-Rider Vent Free Firebox



MINIMUM HEARTH DIMENSIONS

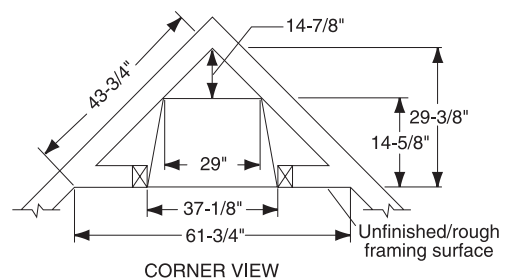
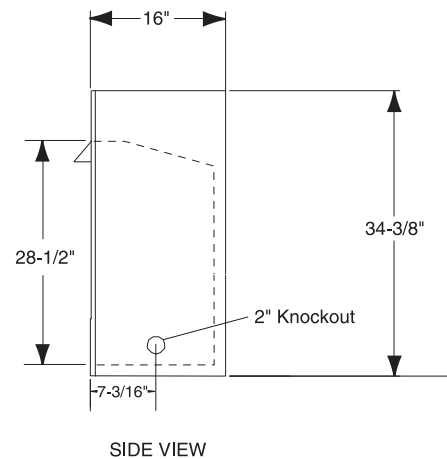
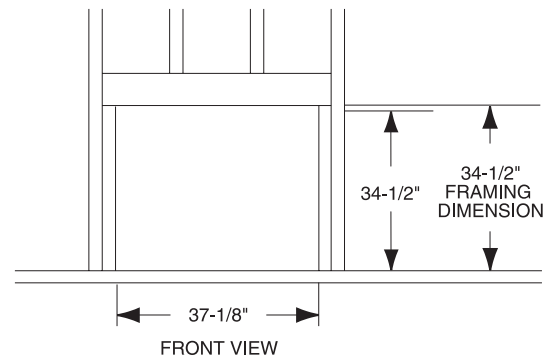
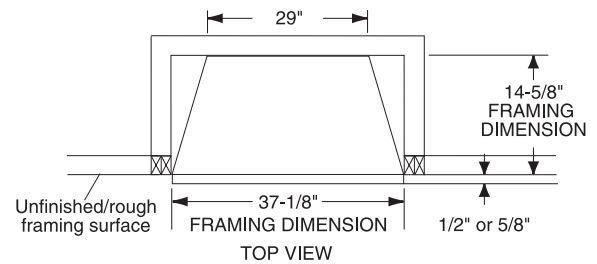
- Front opening width: 29-7/8"
- Front opening height: 27-1/2"
- Rear wall width: 23-3/8"
- Firebox depth: 13-3/8"

TECHNICAL INFORMATION

- Clearance to Fireplace: Zero
- CSA Design Certified

FIELD INSTALLED ACCESSORIES

- Curved Trim: Brass, Pewter, Black
- Brass Hood
- Wide Profile Brass Hood
- Wood Cabinet Surrounds and Hearths
- Classic and Designer Facings



A Brand of Monessen Hearth Systems Co.
 149 Cleveland Drive, Paris, Kentucky 40361
www.majesticproducts.com



To avoid personal injury or property damage, the product described by this brochure must be installed, operated and maintained in strict compliance with the instructions packaged with the product and all applicable building or fire codes. Contact local building or fire officials about restrictions and installation inspection requirements. All photographs and drawings on this brochure are for illustrative purposes