

PRODUCT SPECIFICATIONS

2479 Large Non Catalytic Wood Stove

DUTCHWEST



ACTUAL DIMENSIONS

Unit Depth: 24 1/2" (623 mm)

Unit Height: 32 1/2" (826 mm)

Unit Width: 29 1/4" (743 mm)

TECHNICAL INFORMATION

Log Length: up to 25" (635 mm)

Burn Time: up to 14 hours

Heating Capacity: up to 2,400 sq. ft. (223 m²)

Maximum Heat Output: 55,000 BTUs/hr.

Efficiency Rating: 63%

EPA Emissions Rating: 1.3 grams/hr.

Weight: 480 lbs. (218 kg)

Flue Collar: 6" (152 mm) round, reversible

Firebox Volume: 2.8 cubic feet (.08 m³)

Clearances (with optional shields):

Back: 15" (381 mm) measured to back of stove top

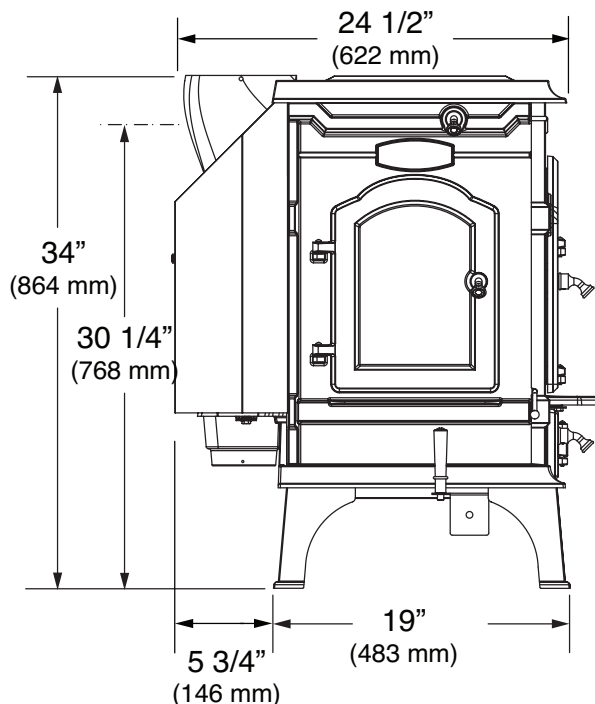
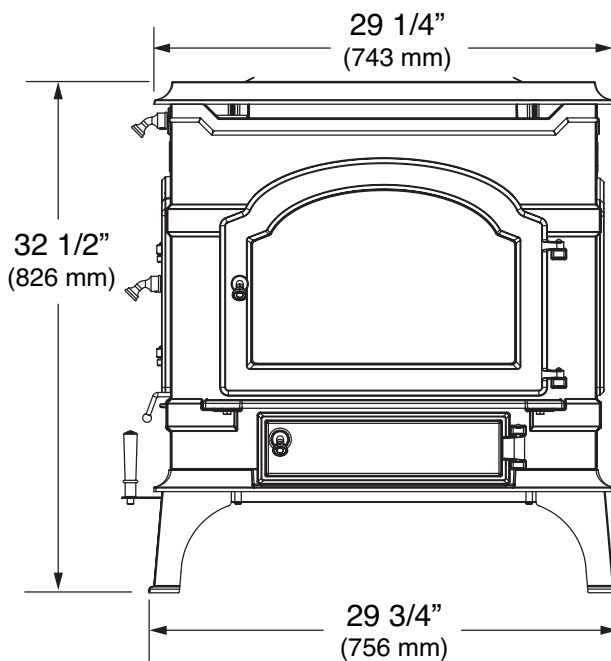
Back: 9" (229 mm) measured to rear heat shield

Corner: 12 1/2" (318 mm)

Side: 15" (381 mm) right side only

FIELD INSTALLED ACCESSORIES

- Variable speed, heat activated fan kit (FK26)
- Side heat shield
- Flue collar heat shields
- Outside air termination kit



A Brand of Monessen Hearth Systems Co.
149 Cleveland Drive, Paris, Kentucky 40361
www.majesticproducts.com

SEE BACK FOR MORE INFORMATION

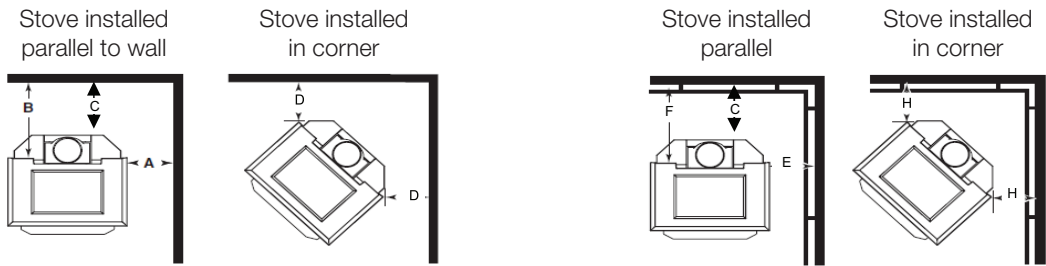
PRODUCT SPECIFICATIONS

2479 Large Non Catalytic Wood Stove
(CONTINUED)



STOVE CLEARANCES

	UNPROTECTED SURFACE Corner				PROTECTED SURFACE			Corner Installation
	Parallel Installation		Installation		Parallel Installation			
	Side (A)	Rear (B)	Rear (C)	Corner (D)	Side (E)	Rear (F)	Rear (G)	Corner (H)
No heat shields	21" (533 mm)	26" (660 mm)	20" (508 mm)	21 1/2" (546 mm)	8" (203 mm)	20" (508 mm)	14" (356 mm)	16 1/2" (419 mm)
Rear exit, flue collar heat shield	23" (584 mm)	13" (330 mm)	7" (178 mm)	N/A	N/A	N/A	N/A	N/A
Top exit, single wall, connector and right side shields ^{1,2}	15" (381 mm) Right Side Only	15" (381 mm)	9" (229 mm)	12 1/2" (318 mm)	8" (203 mm) Right Side Only	12" (305 mm)	7" (178 mm)	10" (254 mm)
Top exit, flue collar, double wall ²	20" (508 mm)	16" (406 mm)	10" (254 mm)	12 1/2" (318 mm)	8" (203 mm)	14 1/2" (368 mm)	8 1/2" (216 mm)	12" (305 mm)



¹Shielding for a top exit stove must include a flue collar shield to protect the area behind the flue collar.

²Chimney connector heat shields must extend exacty 24" (610 mm) above the flue collar of the stove.



To avoid personal injury or property damage, the product described by this brochure must be installed, operated and maintained in strict compliance with the instructions packaged with the product and all applicable building or fire codes. Contact local building or fire officials about restrictions and installation inspection requirements. All photographs and drawings on this brochure are for illustrative purposes only and are not intended for, nor should they be used as a substitute for the instructions packaged with the unit. Appearance and specifications of the product are subject to change without notice. © 2011 Monessen Hearth Systems Co. 0611v1