

## PRODUCT SPECIFICATIONS

# 2478 Medium Non Catalytic Wood Stove

# DUTCHWEST



### ACTUAL DIMENSIONS

Unit Depth: 23" (584 mm)

Unit Height: 29 3/4" (754 mm)

Unit Width: 26 3/4" (680 mm)

### TECHNICAL INFORMATION

Log Length: up to 22" (559 mm)

Burn Time: up to 10 hours

Heating Capacity: up to 1,600 sq. ft. (149 m<sup>2</sup>)

Maximum Heat Output: 40,000 BTUs/hr.

Efficiency Rating: 63%

EPA Emissions Rating: 1.5 grams/hr.

Weight: 420 lbs. (191 kg)

Flue Collar: 6" (152 mm) round, reversible

Firebox Volume: 2.0 cubic feet (.06 m<sup>3</sup>)

Clearances (with optional shields):

Back: 15" (381 mm) measured to back of stove top

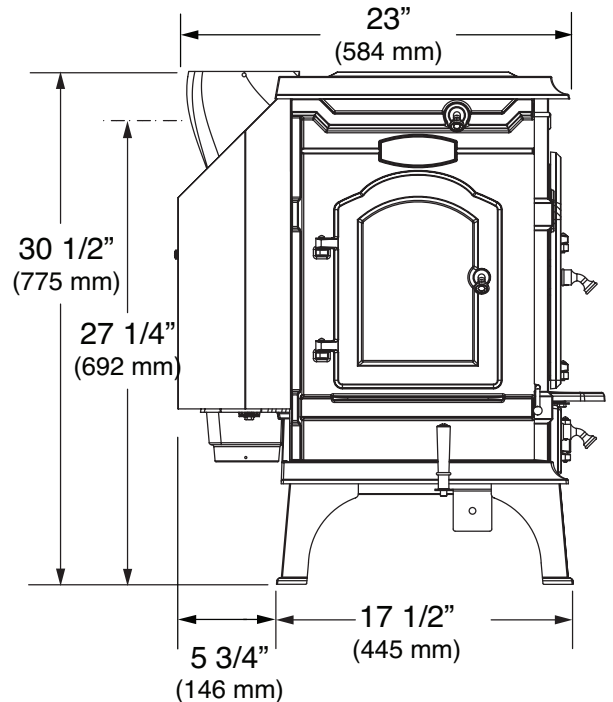
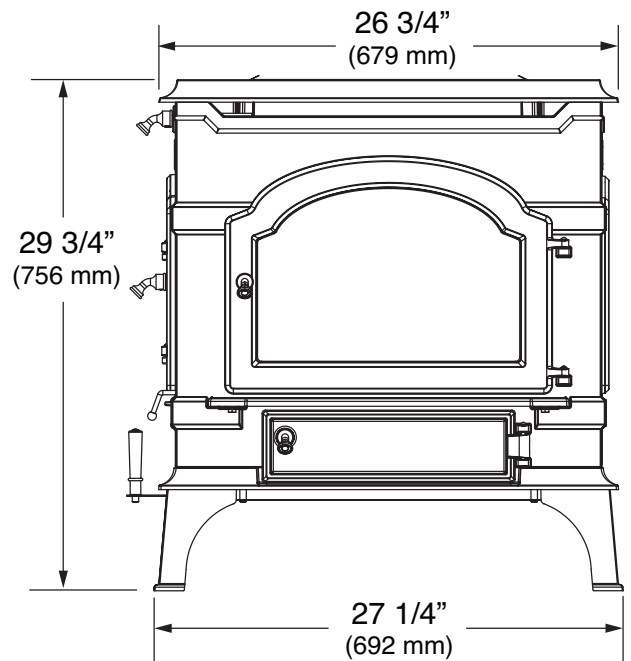
Back: 9" (229 mm) measured to rear heat shield

Corner: 7 1/2" (191 mm)

Side: 14" (356 mm) right side only

### FIELD INSTALLED ACCESSORIES

- Variable speed, heat activated fan kit (FK26)
- Side heat shield
- Flue collar heat shields
- Outside air termination kit



A Brand of Monessen Hearth Systems Co.  
149 Cleveland Drive, Paris, Kentucky 40361  
[www.majesticproducts.com](http://www.majesticproducts.com)

SEE BACK FOR MORE INFORMATION

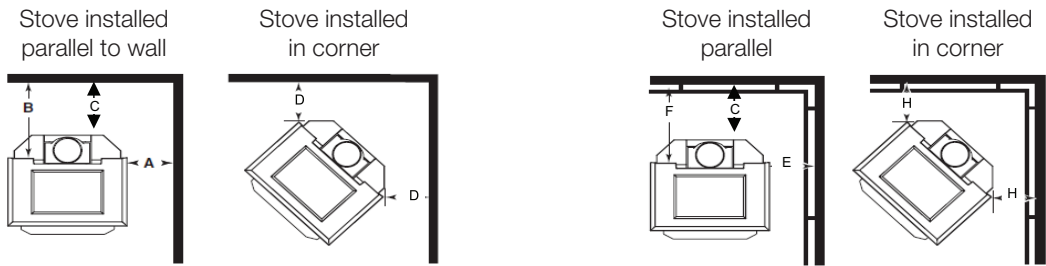
**PRODUCT SPECIFICATIONS**

**2478 Medium Non Catalytic Wood Stove**  
(CONTINUED)



**STOVE CLEARANCES**

	UNPROTECTED SURFACE Corner				PROTECTED SURFACE			Corner Installation
	Parallel Installation		Rear (C)	Installation Corner (D)	Parallel Installation		Corner (H)	
	Side (A)	Rear (B)			Side (E)	Rear (F)		Rear (G)
No heat shields	20" (508 mm)	25" (635 mm)	19" (483 mm)	15 1/2" (394 mm)	7" (178 mm)	19" (483 mm)	13" (330 mm)	10 1/2" (267 mm)
Rear exit, flue collar heat shield	16" (405 mm)	12" (305 mm)	6" (152 mm)	N/A	N/A	N/A	N/A	N/A
Top exit, single wall, connector and right side shields <sup>1,2</sup>	14" (356 mm) <b>Right Side Only</b>	15" (381 mm)	9" (229 mm)	7 1/2" (191 mm)	7" (178 mm) <b>Right Side Only</b>	11" (279 mm)	5" (127 mm)	7" (178 mm)
Top exit, flue collar, double wall <sup>2</sup>	17" (432 mm)	15" (381 mm)	9" (229 mm)	7 1/2" (191 mm)	8" (203 mm)	14 1/2" (368 mm)	8 1/2" (216 mm)	7" (178 mm)



<sup>1</sup>Shielding for a top exit stove must include a flue collar shield to protect the area behind the flue collar.

<sup>2</sup>Chimney connector heat shields must extend exacty 24" (610 mm) above the flue collar of the stove.



To avoid personal injury or property damage, the product described by this brochure must be installed, operated and maintained in strict compliance with the instructions packaged with the product and all applicable building or fire codes. Contact local building or fire officials about restrictions and installation inspection requirements. All photographs and drawings on this brochure are for illustrative purposes only and are not intended for, nor should they be used as a substitute for the instructions packaged with the unit. Appearance and specifications of the product are subject to change without notice. © 2011 Monessen Hearth Systems Co. 0611v1