

PRODUCT SPECIFICATIONS

2477 Small Non Catalytic Wood Stove

DUTCHWEST



ACTUAL DIMENSIONS

Unit Depth: 23" (584 mm)

Unit Height: 29 3/4" (756 mm)

Unit Width: 24" (610 mm)

TECHNICAL INFORMATION

Log Length: up to 19" (483 mm)

Burn Time: up to 8 hours

Heating Capacity: up to 1,400 sq. ft. (130 m²)

Maximum Heat Output: 35,000 BTUs/hr.

Efficiency Rating: 63%

EPA Emissions Rating: 1.4 grams/hr.

Weight: 400 lbs. (181 kg)

Flue Collar: 6" (152 mm) round, reversible

Firebox Volume: 1.6 cubic feet (.05 m³)

Clearances (with optional shields):

Back: 14" (356 mm) measured to back of stove top

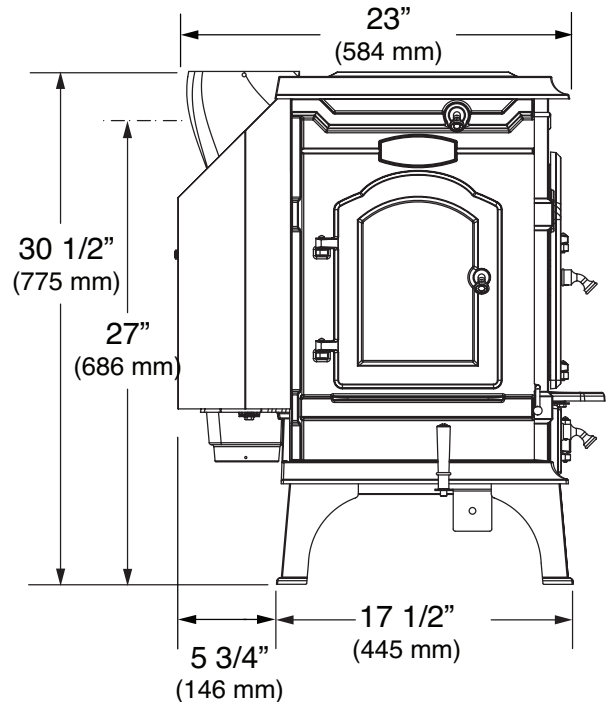
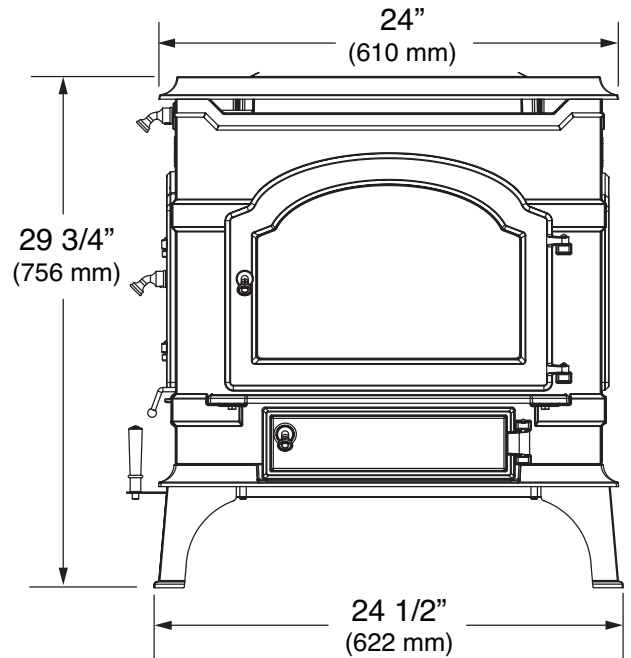
Back: 8" (203 mm) measured to rear heat shield

Corner: 11 1/2" (292 mm)

Side: 16" (405 mm) right side only

FIELD INSTALLED ACCESSORIES

- Variable speed, heat activated fan kit (FK26)
- Side heat shield
- Flue collar heat shields
- Outside air termination kit
- Mobile home kit



A Brand of Monessen Hearth Systems Co.
149 Cleveland Drive, Paris, Kentucky 40361
www.majesticproducts.com

SEE BACK FOR MORE INFORMATION

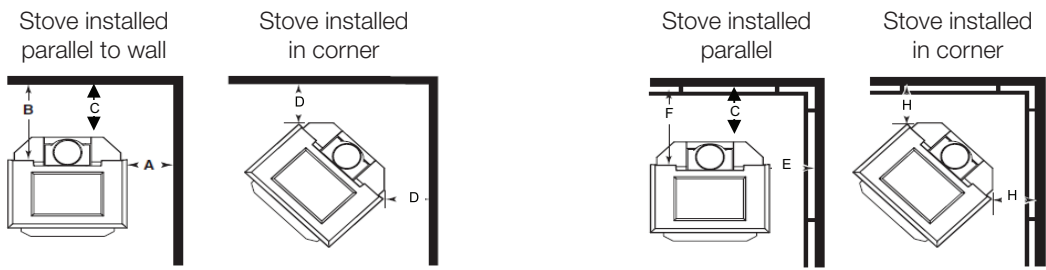
PRODUCT SPECIFICATIONS

2477 Small Non Catalytic Wood Stove
(CONTINUED)



STOVE CLEARANCES

	UNPROTECTED SURFACE Corner				PROTECTED SURFACE			Corner Installation
	Parallel Installation		Rear (C) 18" (457 mm)	Installation Corner (D) 19 1/2" (495 mm)	Parallel Installation		Corner (H) 15 1/2" (250 mm)	
	Side (A) 23" (584 mm)	Rear (B) 24" (610 mm)			Side (E) 7" (178 mm)	Rear (F) 19" (483 mm)		Rear (G) 13" (330 mm)
No heat shields								
Rear exit, flue collar heat shield	20" (508 mm)	13" (330 mm)	7" (178 mm)	N/A	N/A	N/A	N/A	
Top exit, single wall, connector and right side shields ^{1,2}	16" (406 mm) Right Side Only	14" (356 mm)	8" (203 mm)	11 1/2" (292 mm)	7" (178 mm) Right Side Only	11" (279 mm)	5" (127 mm)	9" (229 mm)
Top exit, flue collar, double wall ²	23" (584 mm)	15" (381 mm)	9" (229 mm)	12 1/2" (318 mm)	9" (229 mm)	15" (381 mm)	9" (220 mm)	12 1/2" (318 mm)



¹Shielding for a top exit stove must include a flue collar shield to protect the area behind the flue collar.

²Chimney connector heat shields must extend exacty 24" (610 mm) above the clue collar of the stove.



To avoid personal injury or property damage, the product described by this brochure must be installed, operated and maintained in strict compliance with the instructions packaged with the product and all applicable building or fire codes. Contact local building or fire officials about restrictions and installation inspection requirements. All photographs and drawings on this brochure are for illustrative purposes only and are not intended for, nor should they be used as a substitute for the instructions packaged with the unit. Appearance and specifications of the product are subject to change without notice. © 2011 Monessen Hearth Systems Co. 0611v1