

PRODUCT SPECIFICATIONS

2462 Extra Large Convection Wood Stove

DUTCHWEST



ACTUAL DIMENSIONS

Unit Depth: 18 1/4" (467 mm)

Unit Height: 33" (840 mm)

Unit Width: 28 1/4" (717 mm)

TECHNICAL INFORMATION

Log Length: up to 25" (640 mm)

Burn Time: up to 12 hours

Heating Capacity: up to 2,400 sq. ft. (224 m²)

Maximum Heat Output: 55,000 BTUs/hr.

Efficiency Rating: 74%

EPA Emissions Rating: 1.3 grams/hr.

Weight: 634 lbs. (288 kg)

Flue Collar: 8" (203.2 mm) round, reversible

Firebox Volume: 3.3 cubic feet (.09 m³)

Clearances (with optional shields)

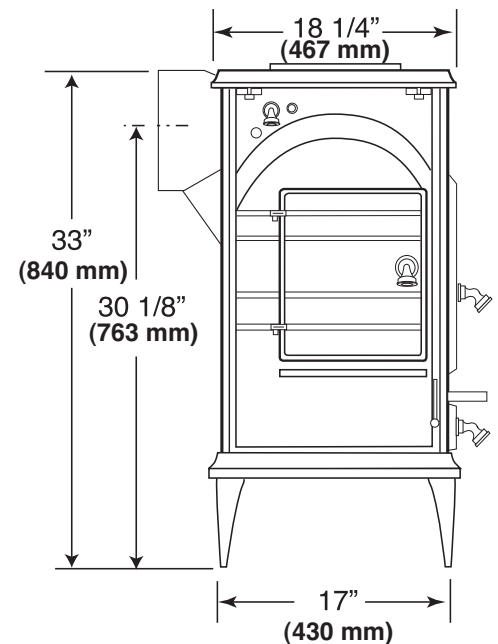
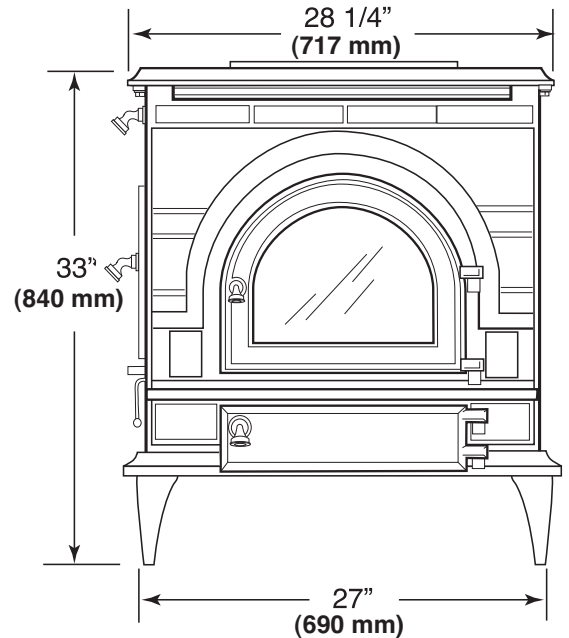
Back: 18" (457.2 mm) measured to back of stove top

Corner: 17" (430 mm)

Side: 20" (510 mm)

FIELD INSTALLED ACCESSORIES

- Dual speed convection fan
- Rear heat shield
- Fan thermostat
- Fan rheostat
- Short legs - 2" (50.8 mm) height
- Stove surface thermometer
- Warming shelf



A Brand of Monessen Hearth Systems Co.
149 Cleveland Drive, Paris, Kentucky 40361
www.majesticproducts.com

SEE BACK FOR MORE INFORMATION

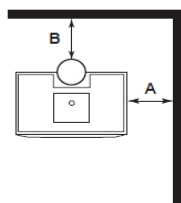
PRODUCT SPECIFICATIONS

**2462 Extra Large Convection
Wood Stove
(CONTINUED)**

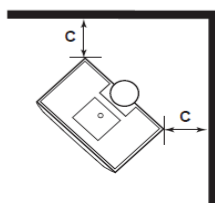


STOVE CLEARANCES

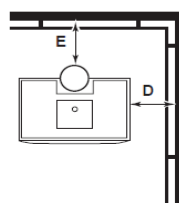
	UNPROTECTED SURFACE ³			PROTECTED SURFACE ³		
	Parallel Installation		Corner Installation	Parallel Installation		Corner Installation
	Side (A)	Rear (B)	Corner (C)	Side (D)	Rear (E)	Corner (F)
No heat shields	20" (510 mm)	23" (580 mm)	18" (460 mm)	18" (460 mm)	18" (460 mm)	17" (430 mm)
Rear exit, rear heat shield only	20" (510 mm)	18" (460 mm)	N/A	18" (460 mm)	12" (300 mm)	N/A
Top exit, rear heat shield only ¹	20" (510 mm)	23" (580 mm)	18" (460 mm)	18" (460 mm)	18" (460 mm)	17" (430 mm)
Top exit, rear heat shield, single wall, connector shields ^{1,2}	20" (510 mm)	18" (460 mm)	17" (430 mm)	18" (460 mm)	12" (300 mm)	15" (380 mm)
Top exit, rear heat shield, double wall ¹	20" (510 mm)	14" (360 mm)	16" (410 mm)	18" (460 mm)	12" (300 mm)	15" (380 mm)



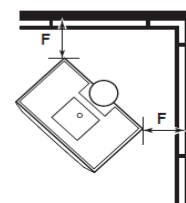
Stove installed parallel to wall



Stove installed in corner



Stove installed parallel



Stove installed in corner

¹Shielding for a top exit stove must include a shield insert to protect the area behind the flue collar.

²Chimney connector heat shields must extend exactly 24" (610 mm) above the flue collar of the stove.

³All installations venting straight up to a factory built chimney require a 24" (610 mm) diameter or square ceiling heat shield. The ceiling heat shield should be 24 gauge sheet metal or equivalent mounted on 1" (25 mm) non-combustible spacers 1" (25 mm) below the ceiling.



To avoid personal injury or property damage, the product described by this brochure must be installed, operated and maintained in strict compliance with the instructions packaged with the product and all applicable building or fire codes. Contact local building or fire officials about restrictions and installation inspection requirements. All photographs and drawings on this brochure are for illustrative purposes only and are not intended for, nor should they be used as a substitute for the instructions packaged with the unit. Appearance and specifications of the product are subject to change without notice. © 2011 Monessen Hearth Systems Co. 0611v1