

PRODUCT SPECIFICATIONS

40ICFDVCNTSC Triumph Direct Vent Insert



ACTUAL DIMENSIONS

Actual size: 31³/₈"W x 22¹/₄"H x 16"D (797 mm x 572 mm x 406 mm)

Viewing area: 27³/₁₆"W x 17¹/₂"H, 477 sq. in. (691 mm x 445 mm), 3075 sq. cm

Minimum Fireplace Opening: 33¹/₈"W (Front) x 22³/₄"H x 16³/₄"D x 24³/₄"W (Rear)
(841 mm x 578 mm x 426 mm x 629 mm)

STANDARD FEATURES

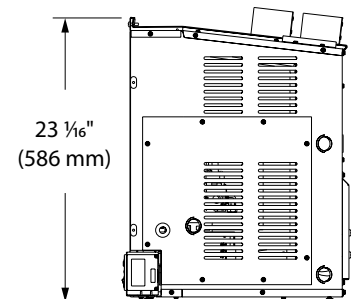
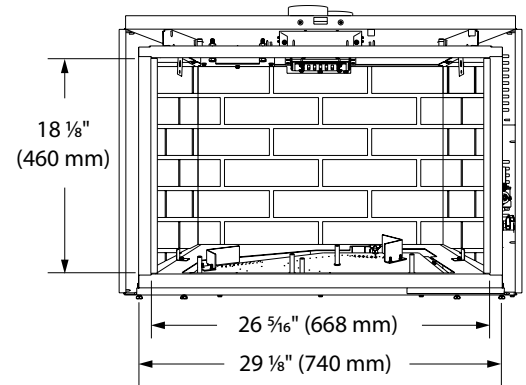
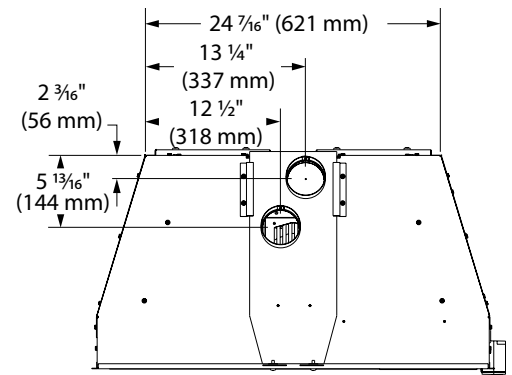
- Large direct vent gas insert with louverless flush face and sleek, contemporary styling
- Black porcelain liner panels
- Stone and fireglass kit
- Natural Blaze burner that produces beautiful yellow flames with strikingly realistic movement and ember glow
- Total Signature Command® with hand held, thermostatic touch screen remote control (TSFSC) and A/C module (SCSACM)
- Dual blower (160 cfm)
- Accent light
- Ceramic glass
- Certified safety screen barrier included

TOTAL SIGNATURE COMMAND® FEATURES

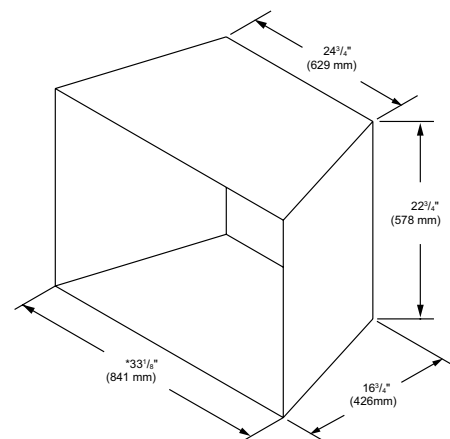
- A/C control with automatic battery back-up for operation during power failures
- Electronic ignition saves money and energy
- Optional cold climate pilot setting keeps flue warm, prevents condensation on door glass and keeps cold air from entering the home through the chimney
- Hi/Lo 3-step flame adjustment to run unit at your desired level of comfort

FIELD INSTALLED ACCESSORIES

- Contemporary rectangular or arched door available in Satin Black, Brushed Nickel, or Textured Mocha
- Rustic rectangular or arched door available in Satin Black, Brushed Nickel, or Textured Mocha
- Square trim available in Brushed Nickel or Textured Mocha
- Floating face available in Satin Black, Brushed Nickel, or Textured Mocha
- Fireglass kits available in Onyx, Diamond, Sapphire, and Bronze



Minimum Fireplace Opening

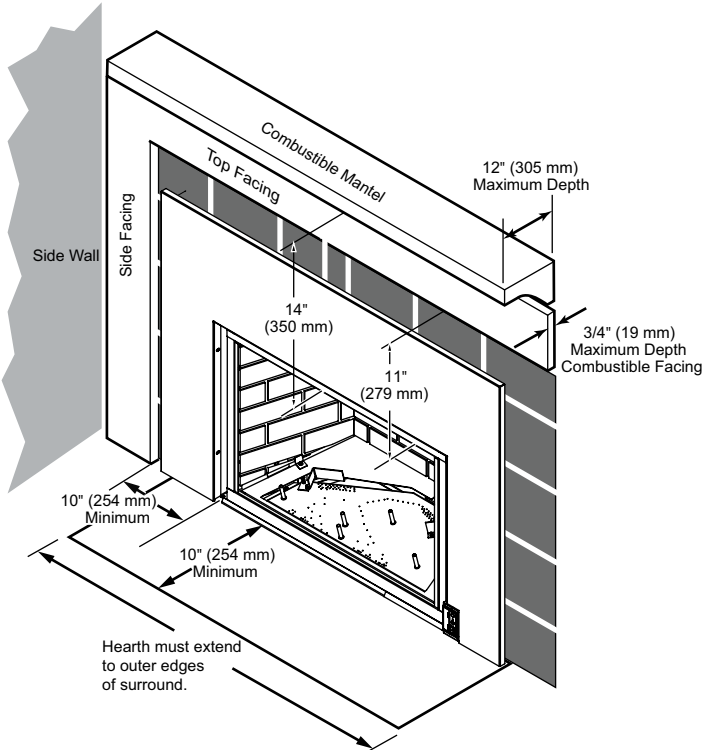


PRODUCT SPECIFICATIONS

40ICFDVCNTSC Triumph Direct Vent Insert



INSERT CLEARANCES



FIELD INSTALLED ACCESSORIES (continued)

- Two sided surrounds with side control and safety screen attachment available:
 - ICF40S2B 40"W x 29"H x 2"D (1016 mm x 737 mm x 51 mm)
 - ICF40M2B 42"W x 32"H x 2"D (1067 mm x 813 mm x 51 mm)
 - ICF40L2B 48"W x 36"H x 2"D (1219 mm x 914 mm x 51 mm)
- Termination Kits:
 - LINK-DV30B Two 30' flex liners and round termination cap
 - LINKSQB-DV30 Two 30' flex liners and square termination cap
 - LINK-CAPB Round cap only
 - LINKSQB-CAP Square cap only
- Kit required for conversion to LP (ICF40LPK)

TECHNICAL SPECIFICATIONS

BTU Input: 40,000 - 28,000 Natural Gas
36,000 - 28,000 Liquid Propane

Ignition System: Total Signature Command

Gas Type: Natural Gas or Liquid Propane

Gas Line: Shut-off valve and 24" (610 mm) flex line

Flue Type: 3" (76 mm) intake and 3" exhaust flex vent

Termination: Intake and exhaust, top center slide connector

Min./Max. Vent Height: 10' (3 m) min. / 40' (12.9 m) max.

Design Certified: CSA

CLEARANCE TO COMBUSTIBLES

Front of Fireplace: 36" (914 mm)

Mantel Clearance: 12" (305 mm) min. / 12" Depth (305 mm) max.

Firebox Opening to Side Wall: 10" (254 mm)

Hearth Requirement: 10" (254 mm)

EFFICIENCY DATA

AFUE: 72.08% NG / 71.32% LP

Canadian P4 Efficiency: Up to 77.3% NG / 77.8% LP



149 Cleveland Drive, Paris, Kentucky 40361
www.majesticproducts.com

To avoid personal injury or property damage, the product described by this brochure must be installed, operated and maintained in strict compliance with the instructions packaged with the product and all applicable building or fire codes. Contact local building or fire officials about restrictions and installation inspection requirements. All photographs and drawings on this brochure are for illustrative purposes only and are not intended for, nor should they be used as a substitute for the instructions packaged with the unit. Appearance and specifications of the product are subject to change without notice. © 2015 Hearth & Home Technologies 1215v4