

PRODUCT SPECIFICATIONS
400DVBS(7) Direct Vent System



GLASS VIEWING AREA

29"W x 20-3/8"H (591 Square Inches)

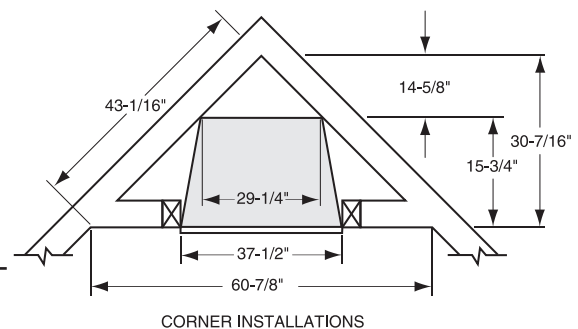
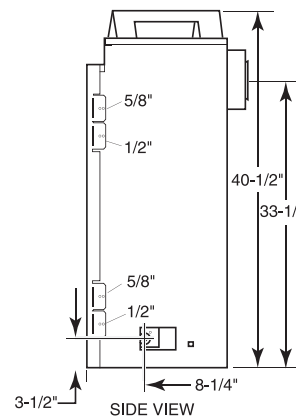
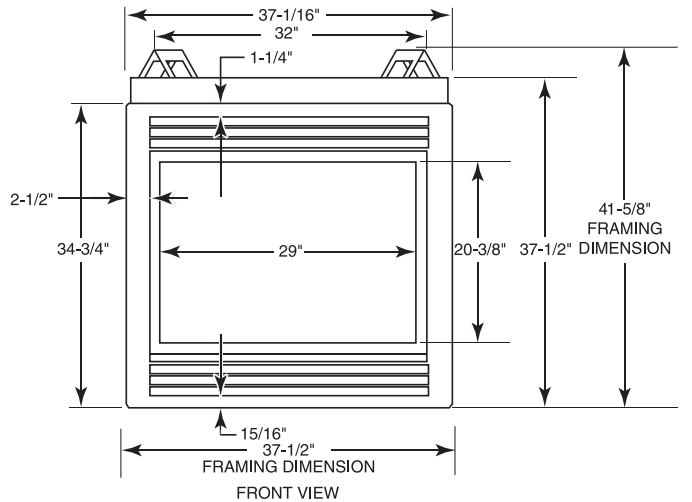
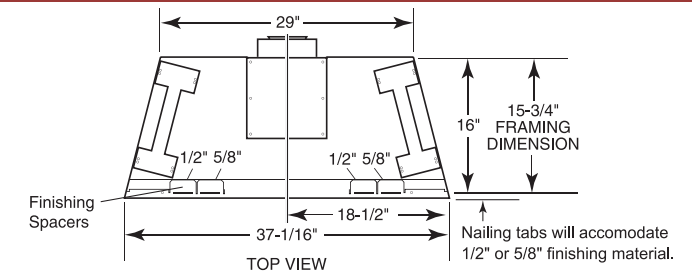
TECHNICAL INFORMATION

- Max. Btu Input: 24,000 BTU/HR
- Ignition System: Signature Command™ System
- Gas Type: Natural or LP
- Flue Type: Twist-Lock Pipe
- Termination: Rear/Top Vent Convertible
- Clearance to Flue for Interior: 3" Top, 1" Bottom and Sides**
- Clearance to Flue for Outside Wall: 1"
- Clearance to Fireplace: 1/2"
- CSA Design Certified

FIELD INSTALLED ACCESSORIES

- Louvers: Polished Brass, Pewter
- Curved Trim: Brass, Pewter, Black
- Medium Trim Kit: Brass, Pewter, Black
- Variable Thermostat Controlled Forced Air Blower (160 cfm) - BLOT
- Signature Command Forced Air Blower (160 cfm) - BLOTSC
- Millivolt Control Fan and Cord: FK12
- FK12 Speed Control: SCVS
- Tavern Brown firebrick
- Cottage Red firebrick
- Mesh Glass Cover
- Ambient Technologies™ Remote Controls and Thermostats
- Designer Facings

** If vertical rise is 7-1/2 feet or higher when in top vent configuration only, the vent clearance to combustibles is 1" on all sides of the horizontal run.



A Brand of Monessen Hearth Systems Co.
 149 Cleveland Drive, Paris, Kentucky 40361
www.majesticproducts.com



To avoid personal injury or property damage, the product described by this brochure must be installed, operated and maintained in strict compliance with the instructions packaged with the product and all applicable building or fire codes. Contact local building or fire officials about restrictions and installation inspection requirements. All photographs and drawings on this brochure are for illustrative purposes only and are not intended for, nor should they be used as a substitute for the instructions packaged with the unit. Appearance and specifications of the product are subject to change without notice. 10/10 ver.1