

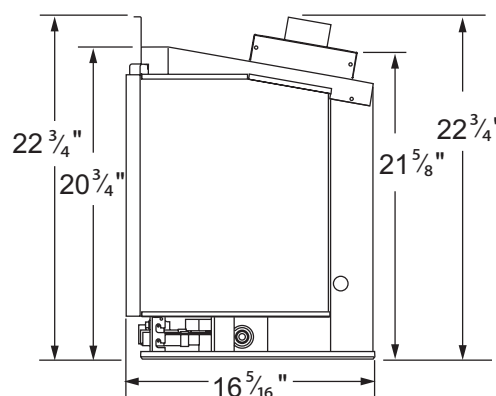
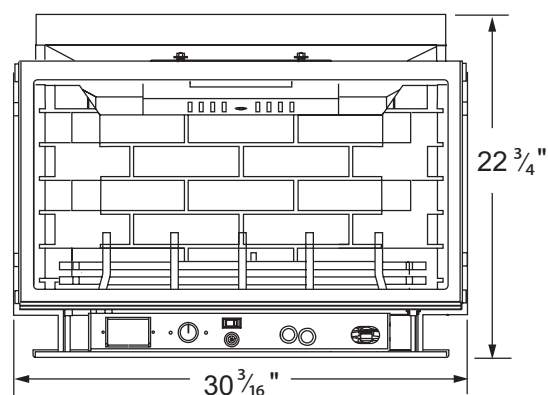
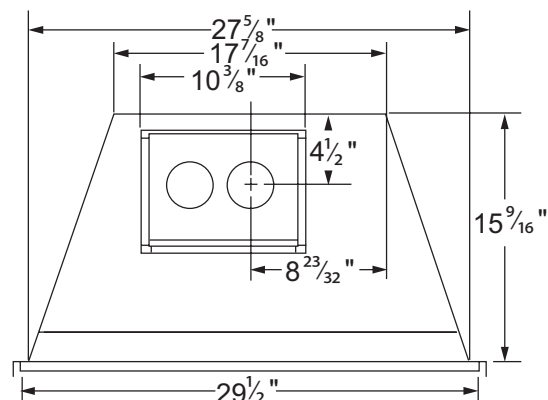
## PRODUCT SPECIFICATIONS

# 380IDV

## Vented Insert Fireplace



### DIMENSIONS



### DIMENSIONS

Actual Size:  $30\frac{3}{16}$ " W x  $22\frac{3}{4}$ " H x  $16\frac{5}{16}$ " D  
(767mm x 578mm x 414mm)

Viewing Area: 382 sq in (246,451 sq mm)

Minimum Opening: 28" W x 21" H x 16" D x 21" RW  
(711mm x 533 mm x 406 mm x 533 mm)

### FIELD INSTALLED ACCESSORIES

- Clean face surround: Black in two sizes
- 3" intake and 3" exhaust vent pipe connectors for chimney flex liners
- Ambient Technologies® Remote Controls and Thermostats

### TECHNICAL SPECIFICATIONS

Max. BTU Input: 30,500 NG / 28,000 LP

Minimum Fireplace Dimensions: 28"W x 21"H

Ignition System: Standing Pilot

Gas Type: Natural or LP

Natural Flame® Burner with 7-piece fiber ceramic log set

Millivolt with on/off switch and variable flame height control in natural gas or propane gas

Tavern Brown firebrick

Thermostat controlled blower

Consumer friendly deluxe control panel with on/off switch

CSA Design Certified



149 Cleveland Drive, Paris, Kentucky 40361

[www.majesticproducts.com](http://www.majesticproducts.com)

To avoid personal injury or property damage, the product described by this brochure must be installed, operated and maintained in strict compliance with the instructions packaged with the product and all applicable building or fire codes. Contact local building or fire officials about restrictions and installation inspection requirements. All photographs and drawings on this brochure are for illustrative purposes only and are not intended for, nor should they be used as a substitute for the instructions packaged with the unit. Appearance and specifications of the product are subject to change without notice. ©2015 Hearth & Home Technologies® 1115v2