

PRODUCT SPECIFICATIONS

G(C/R)UF36C-F/G(C/R)UF36C-R Vent Free Firebox



LOVE AT FIRST LIGHT



GRUF36C-F

ACTUAL DIMENSIONS

- Actual size: 41"W x 34-3/4"H x 18"D x 32"RW
(1041 mm x 883 mm x 457 mm x 813 mm)
- Viewing area: 36"W x 21-3/4"H
(914 mm x 552 mm)
- Framing Dimensions: 41-1/4"W x 35"H x 17-1/2"D
(1048 mm x 889 mm x 445 mm)

MINIMUM HEARTH DIMENSIONS

- Front opening width: 34"
- Front opening height: 21-7/8"
- Rear wall width: 27-3/8"
- Rear wall height: 17-5/8"
- Firebox depth: 15-3/4"

FACTORY INSTALLED OPTIONS

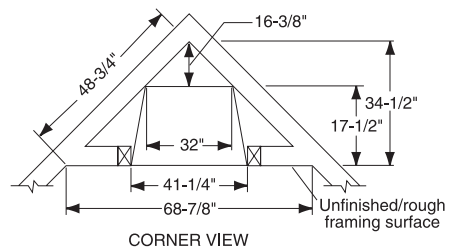
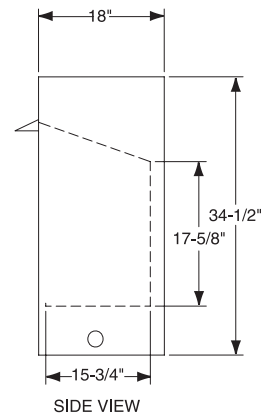
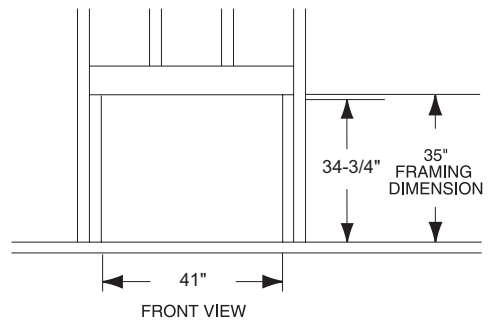
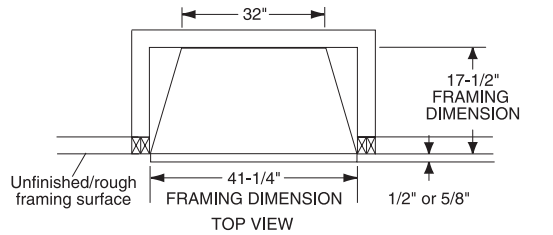
- Refractory firebrick [G(C/R)UF36C-R]
- Cottage Clay firebrick [G(C/R)UF36C-F]

FIELD INSTALLED ACCESSORIES

- Curved Trim, Black
- Medium Trim, Black
- Variable Thermostat Controlled Forced Air Blower (160 cfm) - BLOTMC
- Wood Cabinet Surrounds and Hearths
- Designer Facings

TECHNICAL INFORMATION

- Clearance on Fireplace: Zero
- CSA Design Certified



149 Cleveland Drive, Paris, Kentucky 40361
www.monessenhearth.com

To avoid personal injury or property damage, the product described by this brochure must be installed, operated and maintained in strict compliance with the instructions packaged with the product and all applicable building or fire codes. Contact local building or fire officials about restrictions and installation inspection requirements. All photographs and drawings on this brochure are for illustrative purposes only and are not intended for, nor should they be used as a substitute for the instructions packaged with the unit. Appearance and specifications of the product are subject to change without notice. 1115v1 © 2015 Hearth & Home Technologies