

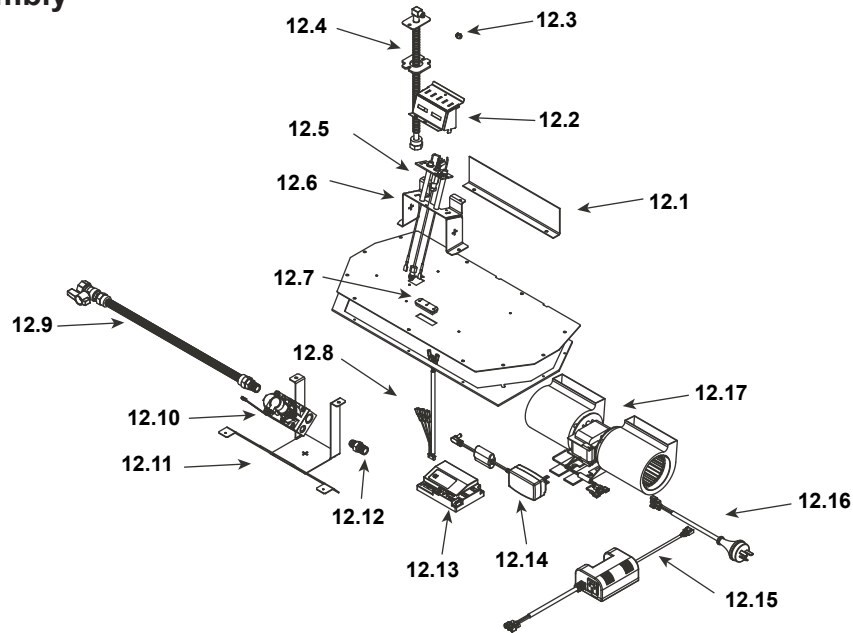
**IMPORTANT: THIS IS DATED INFORMATION.** Parts must be ordered from a dealer or distributor. **Hearth and Home Technologies does not sell directly to consumers.** Provide model number and serial number when requesting service parts from your dealer or distributor.

ITEM	DESCRIPTION	COMMENTS	PART NUMBER
1	Sheet Rock Ledge, 10 mm	No longer available	SRV2198-147-BK
2	Top Panel Finishing Edge	No longer available	2184-102
3	Non Combustible Board, Top, 10 mm	No longer available	2198-410
4	Non Combustible Board, Side, 10 mm	No longer available	2264-411
5	Base Pan	No longer available	SRV2264-117-BK
6	Glass Door Assembly	No longer available	GLA-XLR-PLUS
7	Burner N		SRV2264-007-BK
	Burner P & B		SRV2264-008-BK
8	Media Tray	No longer available	SRV2264-118-BK
9	Bracket, J-Box	No longer available	SRV2264-154
10	Junction Cord		SRV2222-374
11	Lower Cover Panel	No longer available	SRV2264-103-BK

Additional service part numbers appear on following page.

No one builds a better fire

### #12 Valve Assembly



**IMPORTANT: THIS IS DATED INFORMATION.** Parts must be ordered from a dealer or distributor. **Hearth and Home Technologies does not sell directly to consumers.** Provide model number and serial number when requesting service parts from your dealer or distributor.

ITEM	DESCRIPTION	COMMENTS	PART NUMBER
12.1	Bracket	No longer available	SRV2143-143
12.2	Pilot Shield	No longer available	SRV2184-123-BK
12.3	Orifice N (#42C)		582-842
	Orifice B (#55C)		582-855
	Orifice P (#.057C)		582-057
12.4	Bulkhead W/Flex Tube		383-302A
12.5	Pilot Assembly N		2208-012
	Pilot Assembly P & B		2208-013
12.6	Pilot Bracket	No longer available	SRV2264-174-BK
12.7	3-Hole Grommet		SRV2118-420
12.8	Module Wire Assembly		2166-304
12.9	Flex Ball Valve Assembly		2098-320A
12.10	Valve N		SRV2166-302
	Valve P & B		2166-303
12.11	Valve Bracket	No longer available	SRV2264-153
12.12	Male Connector	Pkg of 5	303-315/5
12.13	Module, Gray		2166-306
12.14	DC Regulator		SRV2326-131
12.15	AUX300-CE, Pre SN #0023019789 must also order Jumper Wire (2166-375)		2166-340
12.16	Jumper Wire		2166-375
12.17	Fan Kit		GFK-240V

Additional service part numbers appear on following page.



No one builds a better fire

IMPORTANT: THIS IS DATED INFORMATION. Parts must be ordered from a dealer or distributor. **Hearth and Home Technologies does not sell directly to consumers.** Provide model number and serial number when requesting service parts from your dealer or distributor.

ITEM	DESCRIPTION	COMMENTS	PART NUMBER
	Battery Pack		4067-223
	Cover Plate , Heat-Zone	<b>No longer available</b>	SRV2198-104-BK
	Elbow Heat Shield	<b>No longer available</b>	SRV2143-168
	Gasket Assembly		2113-080
	Contains burner neck, shutter bracket, vent, seal cap, valve plate, and air passage gaskets		
	Glass Bracket Left	<b>No longer available</b>	SRV2264-124-BK
	Glass Bracket Right	<b>No longer available</b>	SRV2264-125-BK
	Glass Latch Assembly , Lower	<b>No longer available</b>	SRV2264-017-BK
	Glass Latch Assembly , Top	Pkg of 2	33858/2
	Glass Lip Shield, Martini	<b>No longer available</b>	2264-120
	Glass Lip Shield, Tonic	<b>No longer available</b>	SRV2264-126-BK
	Heat Shield Assembly	<b>No longer available</b>	SRV2264-016-BK
	Nailing Tabs, 10 mm	<b>No longer available</b>	2198-133
	Restrictor Plate	<b>No longer available</b>	2264-113
	Rock Jig	<b>No longer available</b>	2195-124
	Top Trap, Outer	<b>No longer available</b>	SRV2198-103
	Touch Up Paint		TUP-GBK-12
	Wall Switch Kit		WSK-21-W
<b>Conversion Kits</b>			
	Conversion Kit N	<b>No longer available</b>	PB2N-XLR-PLUS
	Conversion Kit B	<b>No longer available</b>	P2B-XLR-PLUS
	Conversion Kit P	<b>No longer available</b>	N2PB-XLR-PLUS
	Pilot Orifice N		SRV593-528
	Pilot Orifice B		593-529
	Pilot Orifice P		SRV593-527
	Regulator N	With stepper motor	NGK-DXV-50
	Regulator P & B	With stepper motor	SRVLPK-DXV-50