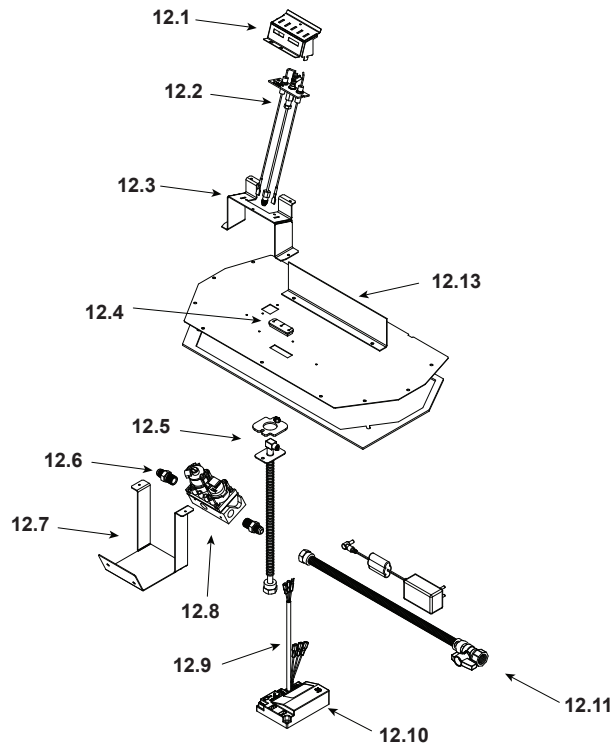


IMPORTANT: THIS IS DATED INFORMATION. Parts must be ordered from a dealer or distributor. **Hearth and Home Technologies does not sell directly to consumers.** Provide model number and serial number when requesting service parts from your dealer or distributor.

ITEM	DESCRIPTION	COMMENTS	PART NUMBER
1	Sheet Rock Ledge	No longer available	SRV2198-147-BK
2	Lower Cover Panel	No longer available	SRV2264-103-BK
3	Top Panel Finishing Edge	No longer available	2184-102
4	Non Combustible Board, Top	No longer available	2198-410
5	Non Combustible Board, Side	No longer available	2198-411
6	Media Tray	No longer available	SRV2198-114-BK
7	Burner N		SRV2184-007-BK
	Burner P & B		SRV2198-007-BK
8	Base Pan	No longer available	2198-115
9	Glass Door Assembly		GLA-SLR
10	Thermostat Wire		2118-170
11	Junction Cord Assembly		2222-374

Additional service part numbers appear on following page.

#12 Valve Assembly



IMPORTANT: THIS IS DATED INFORMATION. Parts must be ordered from a dealer or distributor. **Hearth and Home Technologies does not sell directly to consumers.** Provide model number and serial number when requesting service parts from your dealer or distributor.

ITEM	DESCRIPTION	COMMENTS	PART NUMBER
12.1	Pilot Shield	No longer available	SRV2184-123-BK
12.2	Pilot Assembly N		SRV2090-012
	Pilot Assembly P & B		2090-013
12.3	Pilot Bracket		2198-174
12.4	3-Hole Grommet		SRV2118-420
12.5	Bulkhead W/Flex Tube		383-302A
12.6	Male Connector	Pkg of 5	303-315/5
12.7	Valve Bracket	No longer available	SRV2264-153
12.8	Valve N	No longer available	2166-308
	Valve P & B	No longer available	2166-309
12.9	Module Wire Assembly		2166-304
12.10	Module, Gray		2166-306
12.11	Flex Ball Valve Assembly		2098-320A
12.12	Power Supply		SRV2326-131
12.13	Bracket	No longer available	SRV2143-143
	Orifice N (#42C)		582-842
	Orifice B (#55C)		582-855
	Orifice P (.057C)		582-057

Additional service part numbers appear on following page.

