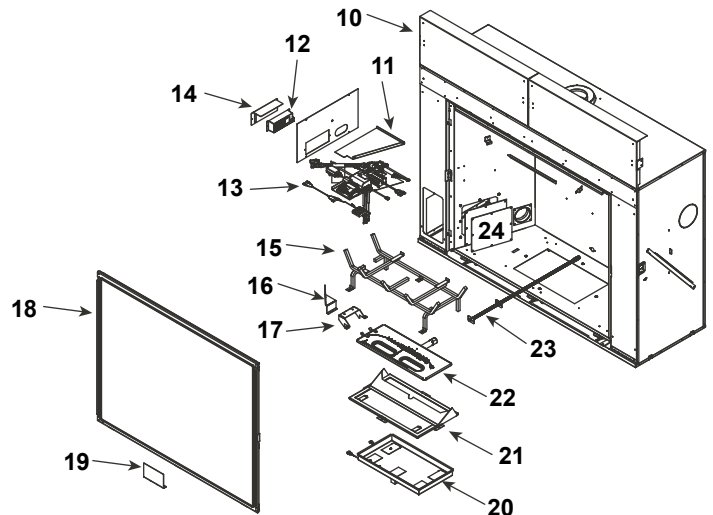


Log Set Assembly



IMPORTANT: THIS IS DATED INFORMATION. Parts must be ordered from a dealer or distributor. **Hearth and Home Technologies does not sell directly to consumers.** Provide model number and serial number when requesting service parts from your dealer or distributor.

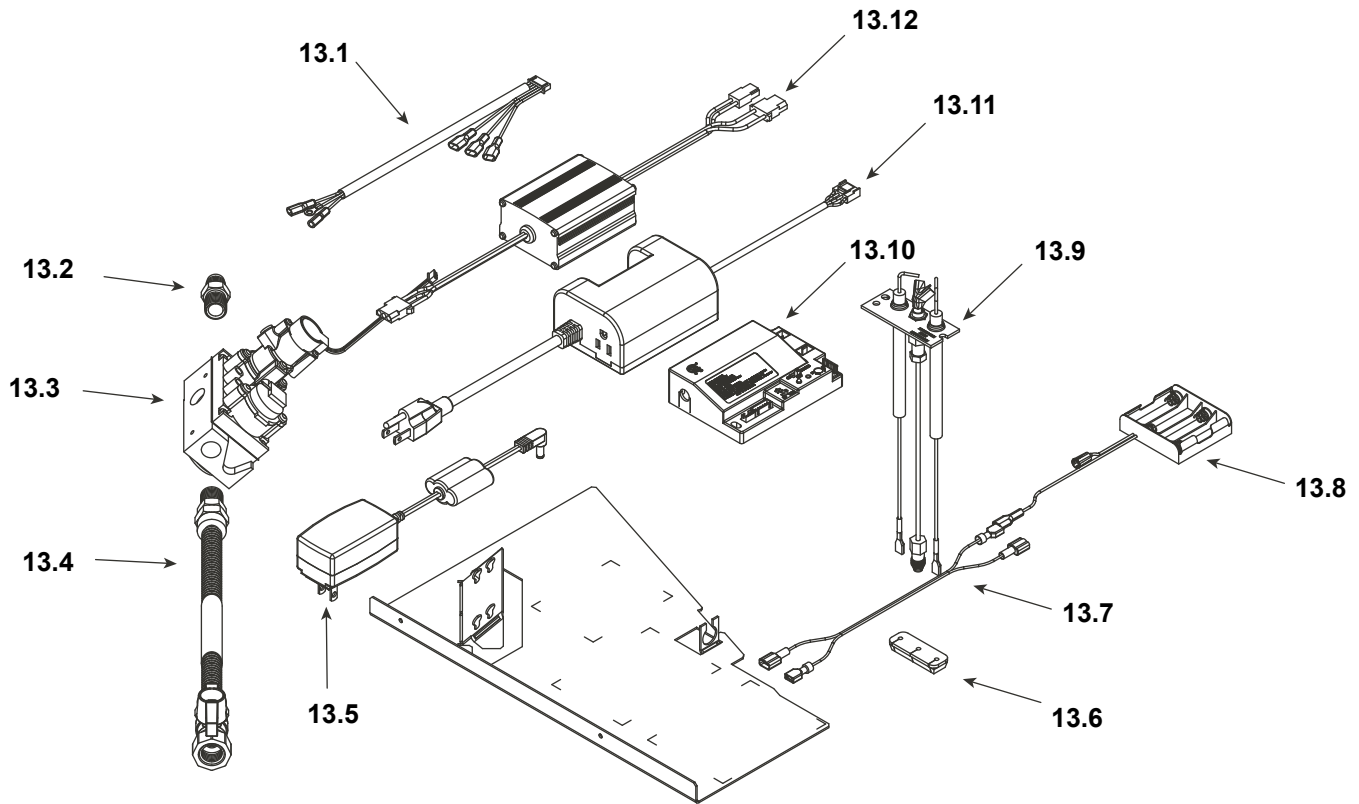


Stocked at Depot

ITEM	DESCRIPTION	COMMENTS	PART NUMBER	
	Log Assembly		LOGS-TRUE50-HD	
1	Log 1	No longer available, must order complete assembly	SRV2282-701	
2	Log 2		SRV2282-702	
3	Log 3		SRV2282-703	
4	Log 4		SRV2282-704	
5	Log 5		SRV2281-705	
6	Log 6		SRV2282-706	
7	Log 7		SRV2281-707	
8	Log 8		SRV2281-708	
9	Log 9 (Not shown)		SRV2170-725	
10	Heat Shield, Header	Qty 2 req	2282-105	
11	Heat Shield, Valve		2281-153	
12	Junction box		SRV4021-013	Y
13	Valve Assembly		Refer to Valve Page	
14	J-Box Bracket		2281-154	
15	Grate Assembly		2282-015	
16	Air Deflector		2281-159	
17	Pilot Cover		2282-187	
18	Glass Assembly		GLA-2282	
19	Finishing Spacer		2281-113	
20	LED Tub Assembly		2282-017	Y
21	Inner Glass Frame Assembly		2282-019	Y
22	Burner Assembly NG		2282-007	Y
	Burner Assembly LP		2282-008	Y
23	Orifice Bracket Flex		2282-161	Y
24	Access Plate		2281-117	

Additional service parts on following page.

#13 Valve Assembly



IMPORTANT: THIS IS DATED INFORMATION. Parts must be ordered from a dealer or distributor. **Hearth and Home Technologies does not sell directly to consumers.** Provide model number and serial number when requesting service parts from your dealer or distributor.



Stocked at Depot

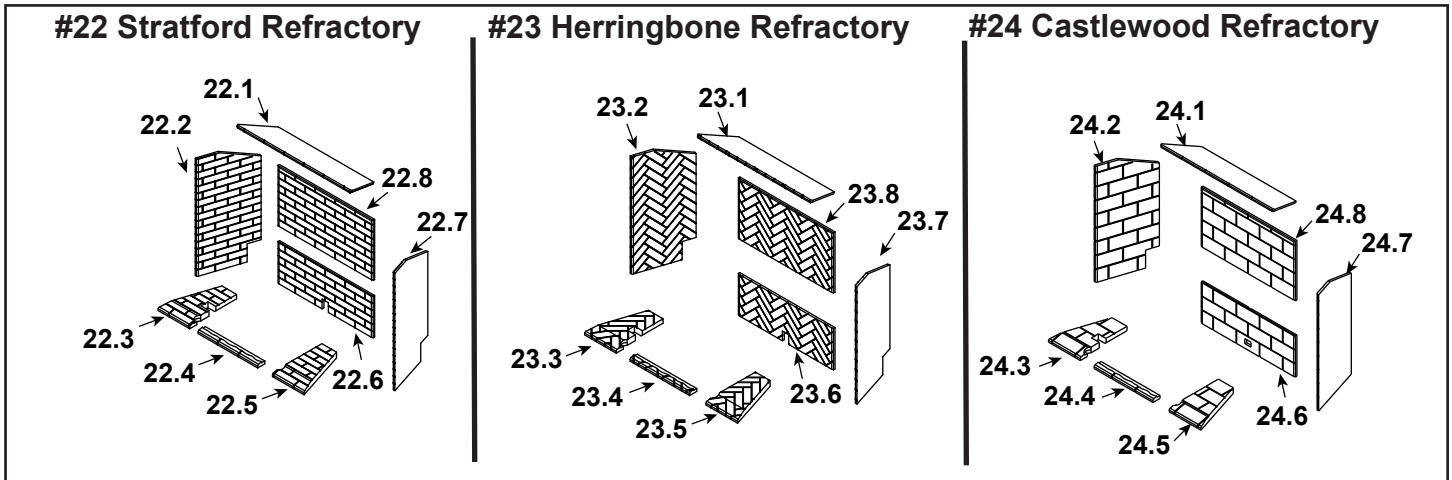
ITEM	DESCRIPTION	COMMENTS	PART NUMBER	
13.1	Wire Harness		2166-304	Y
13.2	Male connector	Pkg of 5	303-315/5	Y
13.3	Valve NG		SRV2166-302	Y
	Valve LP		2166-303	Y
13.4	Flex Ball Valve Assembly. 12"		SRV302-320	Y
13.5	Power Supply		SRV2326-131	Y
13.6	Grommet		SRV2118-420	
13.7	Wire, Battery jumps, 10 in		2281-196	Y
13.8	**Battery Pack		SRV2166-323	Y
13.9	Pilot Assembly, NG		2281-012	Y
13.10	Module		2166-347	Y
13.11	Aux 300		SRV2166-335	Y
13.12	Led Controller		SRV2166-336	Y
	Orifice NG (#24C)		582-824	Y
	Orifice LP (#43C)		SRV582-843	Y

**Fuse for battery pack can be sourced locally, not a warranty item. Specs are 250v, 1A fuse, 3/4" long

No one builds a better fire

Beginning Manufacturing Date: June 2012

Ending Manufacturing Date: Feb 2017



IMPORTANT: THIS IS DATED INFORMATION. Parts must be ordered from a dealer or distributor. **Hearth and Home Technologies does not sell directly to consumers.** Provide model number and serial number when requesting service parts from your dealer or distributor.



Stocked at Depot

ITEM	DESCRIPTION	COMMENTS	PART NUMBER	
	Refractory, Stratford	TRUE-50S		
22.1	Refractory, Top		SRV2282-716	
22.2	Refractory, Left		SRV2282-713	
22.3	Refractory, Left Base		SRV2282-711	
22.4	Refractory, Front Base		SRV2282-710	
22.5	Refractory, Right Base		SRV2282-712	
22.6	Refractory, Back Bottom		SRV2282-715	
22.7	Refractory, Right		SRV2282-714	
22.8	Refractory, Back		SRV2282-717	
	Refractory, Herringbone	TRUE-50H		
23.1	Refractory, Top		SRV2282-726	
23.2	Refractory, Left		SRV2282-723	
23.3	Refractory, Left Base		SRV2282-721	
23.4	Refractory, Front Base		SRV2282-720	
23.5	Refractory, Right Base		SRV2282-722	
23.6	Refractory, Back Bottom		SRV2282-725	
23.7	Refractory, Right		SRV2282-724	
23.8	Refractory, Back		SRV2282-727	
	Refractory, Castlewood	TRUE-50C		
24.1	Refractory, Top		SRV2282-736	
24.2	Refractory, Left		SRV2282-733	
24.3	Refractory, Left Base		SRV2282-731	
24.4	Refractory, Front Base		SRV2282-730	
24.5	Refractory, Right Base		SRV2282-732	
24.6	Refractory, Back Bottom		SRV2282-735	
24.7	Refractory, Right		SRV2282-734	
24.8	Refractory, Back		SRV2282-737	

Additional service parts on following page.



Service Parts

TRUE-50S, TRUE-50H, TRUE-50C

No one builds a better fire

Beginning Manufacturing Date: June 2012

Ending Manufacturing Date: Feb 2017

IMPORTANT: THIS IS DATED INFORMATION. Parts must be ordered from a dealer or distributor. **Hearth and Home Technologies does not sell directly to consumers.** Provide model number and serial number when requesting service parts from your dealer or distributor.



Stocked at Depot

ITEM	DESCRIPTION	COMMENTS	PART NUMBER	
	Air Shutter Burner Tube		2052-157	
	Exhaust Restrictor		530-299	
	Firescreen	Black	FS-50IFT-BK	
	Firescreen Arch	Black	FS-50AIFT-BK	
	Gasket Assembly		SRV2281-080	
	Glass Clip Tool		2281-375	
	Glass Latch Assembly	Qty 2 req	2146-413	Y
	Glass Latch Assembly	Qty 4 req	2155-045	Y
	Kapton Lens, Dark Orange	Qty 3 req	2166-184	Y
	Kapton Lens, Light Orange	Qty 2 req	2166-171	Y
	Mineral Wool		050-721	
	Non-Comb Assembly		2282-040	
	Nut 1/4-20 Hex Insert		SRV7000-236	
	Refractory Tab	Qty 2 req	2281-114	
	Relief Door Assembly		7011-011	
	Remote RC300		2166-330	Y
	Screws	Pkg of 20	2300-275-20	Y
	Teco Silica, 2.5 Lbs		2281-790	
	Teco Silica, 5 Lbs	Qty 3 req	SRV700-790	
	Top Refractory Support		2281-190	
	Vermiculite Embers		MYSTIC-EMBERS	
	Touch Up Paint, Logs	Black	SRV999-404	
		Brown	SRV999-403	
		Split	SRV999-472	
	Trim Strip, Side	Qty 2 req	2282-366	
	Trim Strip, Top		2282-367	
	Vanity Panel, Lower		2282-407	
Conversion Kits				
	Conversion Kit NG		NGK-TRUE50	Y
	Conversion Kit LP		LPK-TRUE50	Y
	Pilot Orifice NG		SRV593-528	Y
	Pilot Orifice LP		SRV593-527	Y
	Regulator NG	w/stepper motor	NGK-DXV-50	Y
	Regulator LP	w/stepper motor	SRVLPK-DXV-50	Y