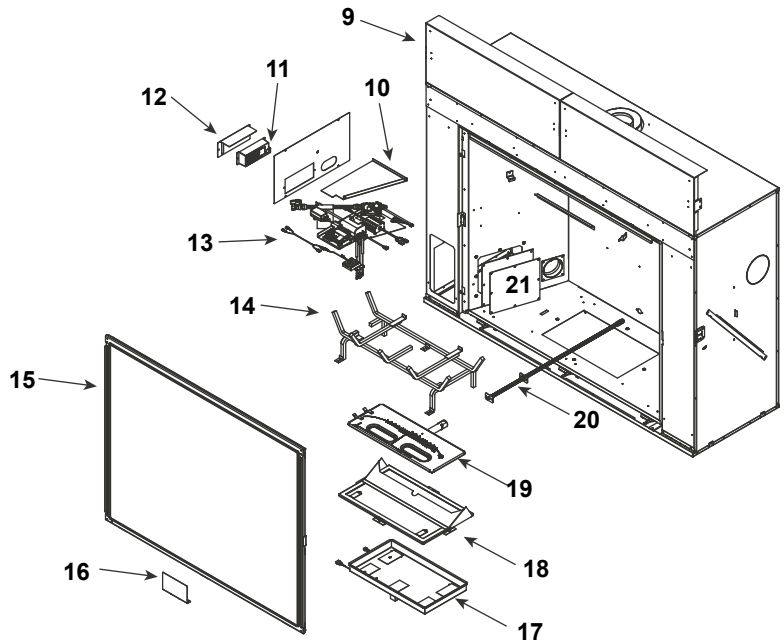
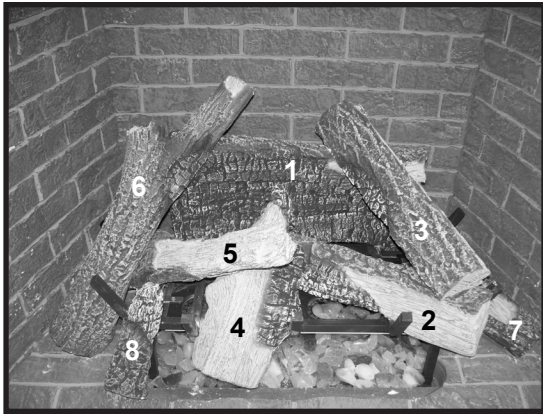


Log Set Assembly



IMPORTANT: THIS IS DATED INFORMATION. Parts must be ordered from a dealer or distributor. **Hearth and Home Technologies does not sell directly to consumers.** Provide model number and serial number when requesting service parts from your dealer or distributor.

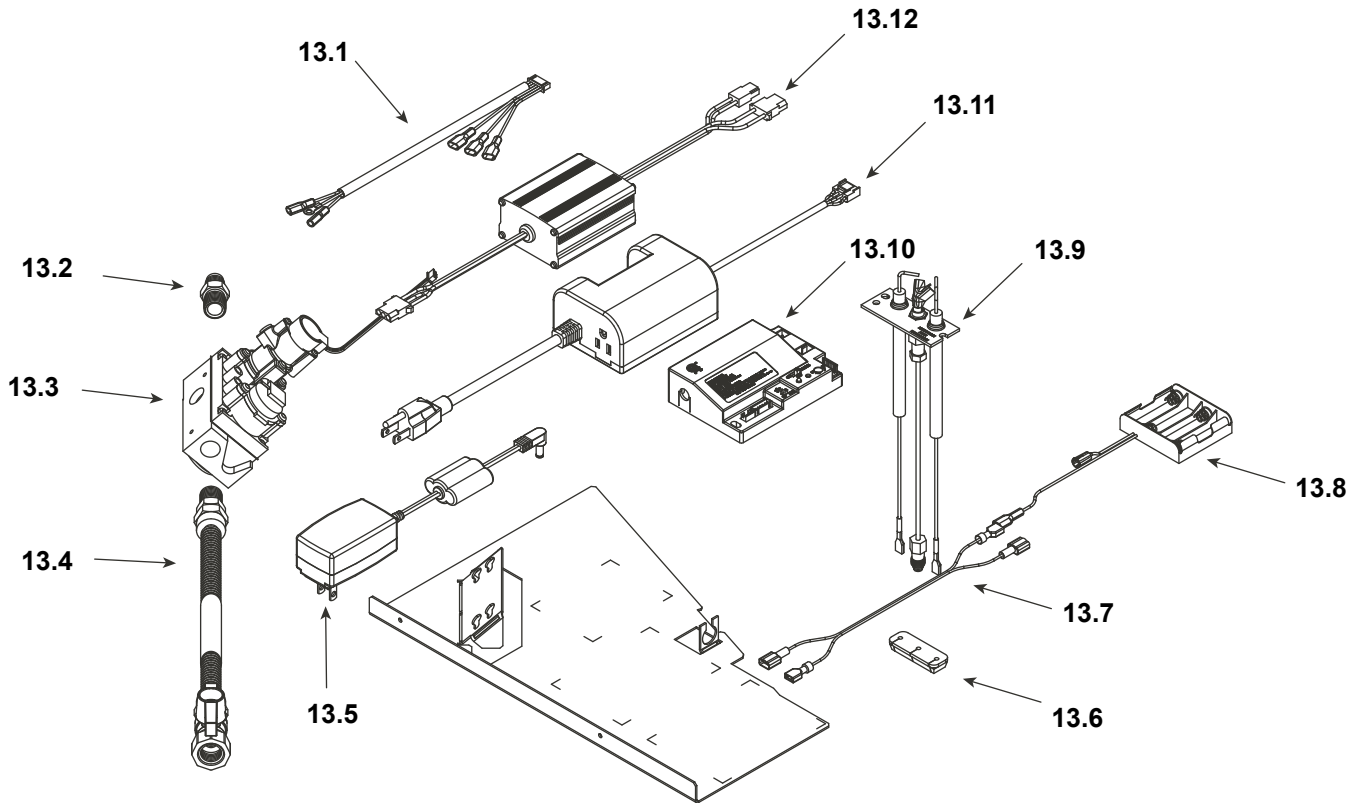


Stocked at Depot

ITEM	DESCRIPTION	COMMENTS	PART NUMBER	Stocked at Depot
	Log Assembly		LOGS-TRUE42-HD	Y
1	Log 1	No longer available, must order complete assembly	SRV2281-701	
2	Log 2		SRV2281-702	
3	Log 3		SRV2281-703	
4	Log 4		SRV2281-704	
5	Log 5		SRV2281-705	
6	Log 6		SRV2281-706	
7	Log 7		SRV2281-707	
8	Log 8		SRV2281-708	
9	Heat Shield, Header	Qty 2 req	2281-105	
10	Heat Shield, Valve		2281-153	
11	Junction box		SRV4021-013	Y
12	J-Box Bracket		2281-154	
13	Valve Assembly		Refer to Valve Page	
14	Grate Assembly		2281-015	
15	Glass Assembly		GLA-2281	
16	Finishing Spacer		2281-113	
17	LED Tub Assembly		2281-017	
18	Inner Glass Frame Assembly		2281-019	
19	Burner Assembly		2281-007	Y
20	Orifice Bracket Flex		2012-008	Y
21	Access Plate		2281-117	

Additional service parts on following page.

#13 Valve Assembly



IMPORTANT: THIS IS DATED INFORMATION. Parts must be ordered from a dealer or distributor. **Hearth and Home Technologies does not sell directly to consumers.** Provide model number and serial number when requesting service parts from your dealer or distributor.



Stocked at Depot

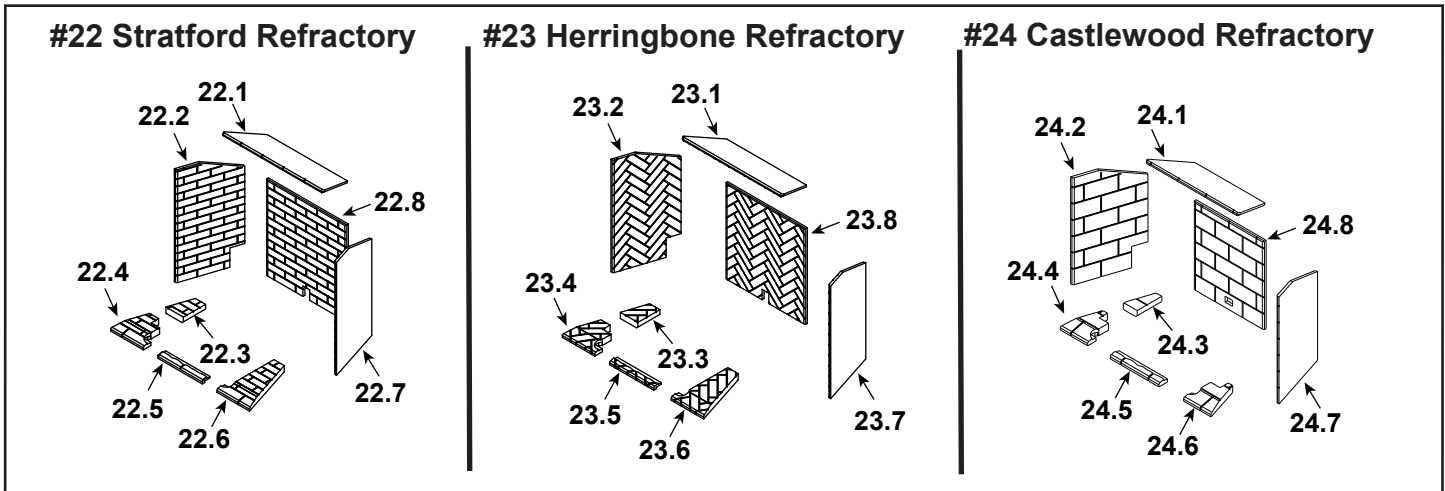
ITEM	DESCRIPTION	COMMENTS	PART NUMBER	
13.1	Wire Harness		2166-304	Y
13.2	Male connector	Pkg of 5	303-315/5	Y
13.3	Valve NG		SRV2166-302	Y
	Valve LP		2166-303	Y
13.4	Flex Ball Valve Assembly. 12"		SRV302-320	Y
13.5	Power Supply		SRV2326-131	Y
13.6	Grommet		SRV2118-420	
13.7	Wire, Battery jumps, 10 in		2281-196	Y
13.8	**Battery Pack		SRV2166-323	Y
13.9	Pilot Assembly, NG		2281-012	Y
13.10	Module		2166-347	Y
13.11	Aux 300		SRV2166-335	Y
13.12	Led Controller		SRV2166-336	Y
	Orifice NG (#26C)		582-826	Y
	Orifice LP (#45C)		SRV582-845	Y

**Fuse for battery pack can be sourced locally, not a warranty item. Specs are 250v, 1A fuse, 3/4" long

No one builds a better fire

Beginning Manufacturing Date: May 2012

Ending Manufacturing Date: Feb 2017



IMPORTANT: THIS IS DATED INFORMATION. Parts must be ordered from a dealer or distributor. **Hearth and Home Technologies does not sell directly to consumers.** Provide model number and serial number when requesting service parts from your dealer or distributor.



Stocked at Depot

ITEM	DESCRIPTION	COMMENTS	PART NUMBER	
	Refractory, Stratford	TRUE-42S		
22.1	Refractory, Top		SRV2281-716	
22.2	Refractory, Left		SRV2281-713	
22.3	Refractory, Left Base		SRV2281-718	
22.4	Refractory, Left Base		SRV2281-711	
22.5	Refractory, Front Base		SRV2281-710	
22.6	Refractory, Right Base		SRV2281-712	
22.7	Refractory, Right		SRV2281-714	
22.8	Refractory, Back		SRV2281-715	
	Refractory, Herringbone	TRUE-42H		
23.1	Refractory, Top		SRV2281-726	
23.2	Refractory, Left		SRV2281-723	
23.3	Refractory, Left Base		SRV2281-728	
23.4	Refractory, Left Base		SRV2281-721	
23.5	Refractory, Front Base		SRV2281-720	
23.6	Refractory, Right Base		SRV2281-722	
23.7	Refractory, Right		SRV2281-724	
23.8	Refractory, Back		SRV2281-725	
	Refractory, Castlewood	TRUE-42C		
24.1	Refractory, Top		SRV2281-736	
24.2	Refractory, Left		SRV2281-733	
24.3	Refractory, Left Base		SRV2281-738	
24.4	Refractory, Left Base		SRV2281-731	
24.5	Refractory, Front Base		SRV2281-730	
24.6	Refractory, Right Base		SRV2281-732	
24.7	Refractory, Right		SRV2281-734	
24.8	Refractory, Back		SRV2281-735	

Additional service parts on following page.



Service Parts

TRUE-42S, TRUE-42H, TRUE-42C

No one builds a better fire

Beginning Manufacturing Date: May 2012

Ending Manufacturing Date: Feb 2017

IMPORTANT: THIS IS DATED INFORMATION. Parts must be ordered from a dealer or distributor. **Hearth and Home Technologies does not sell directly to consumers.** Provide model number and serial number when requesting service parts from your dealer or distributor.



Stocked
at Depot

ITEM	DESCRIPTION	COMMENTS	PART NUMBER	
	Air Shutter Tube Assembly		2052-157	
	Exhaust Restrictor		530-299	
	Firescreen	Black	FS-42IFT-BK	
	Firescreen Arch	Black	FS-42AIFT-BK	
	Gasket Assembly		SRV2281-080	
	Glass Clip Tool		2281-375	
	Glass Latch Assembly	Qty 2 req	2146-413	Y
	Glass Latch Assembly	Qty 4 req	2155-045	Y
	Kapton Lens, Dark Orange	Qty 6 req	2166-184	Y
	Kapton Lens, Light Orange	Qty 2 req	2166-171	Y
	Mineral Wool		050-721	
	Non-Comb Assembly		2281-040	
	Nut 1/4-20 Hex Insert		SRV7000-236	
	Refractory Tab	Qty 2 req	2281-114	
	Relief Door Assembly		7011-011	
	Remote RC300		2166-330	Y
	Screws	Pkg of 20	2300-275-20	Y
	Teco Silica, 5 lbs	Qty 2 req	SRV700-790	
	Top Refractory Support		2281-190	
	Vermiculite Embers		MYSTIC-EMBERS	
	Touch Up Paint, Logs	Black	SRV999-404	
		Brown	SRV999-403	
		Split	SRV999-472	
	Trim Strip, Side	Qty 2 req	2281-366	
	Trim Strip, Top		2281-367	
	Vanity Panel, Lower		2281-407	
Conversion Kits				
	Conversion Kit NG		NGK-TRUE42	Y
	Conversion Kit LP		LPK-TRUE42	Y
	Pilot Orifice NG		SRV593-528	Y
	Pilot Orifice LP		SRV593-527	Y
	Regulator NG	w/stepper motor	NGK-DXV-50	Y
	Regulator LP	w/stepper motor	SRVLPK-DXV-50	Y