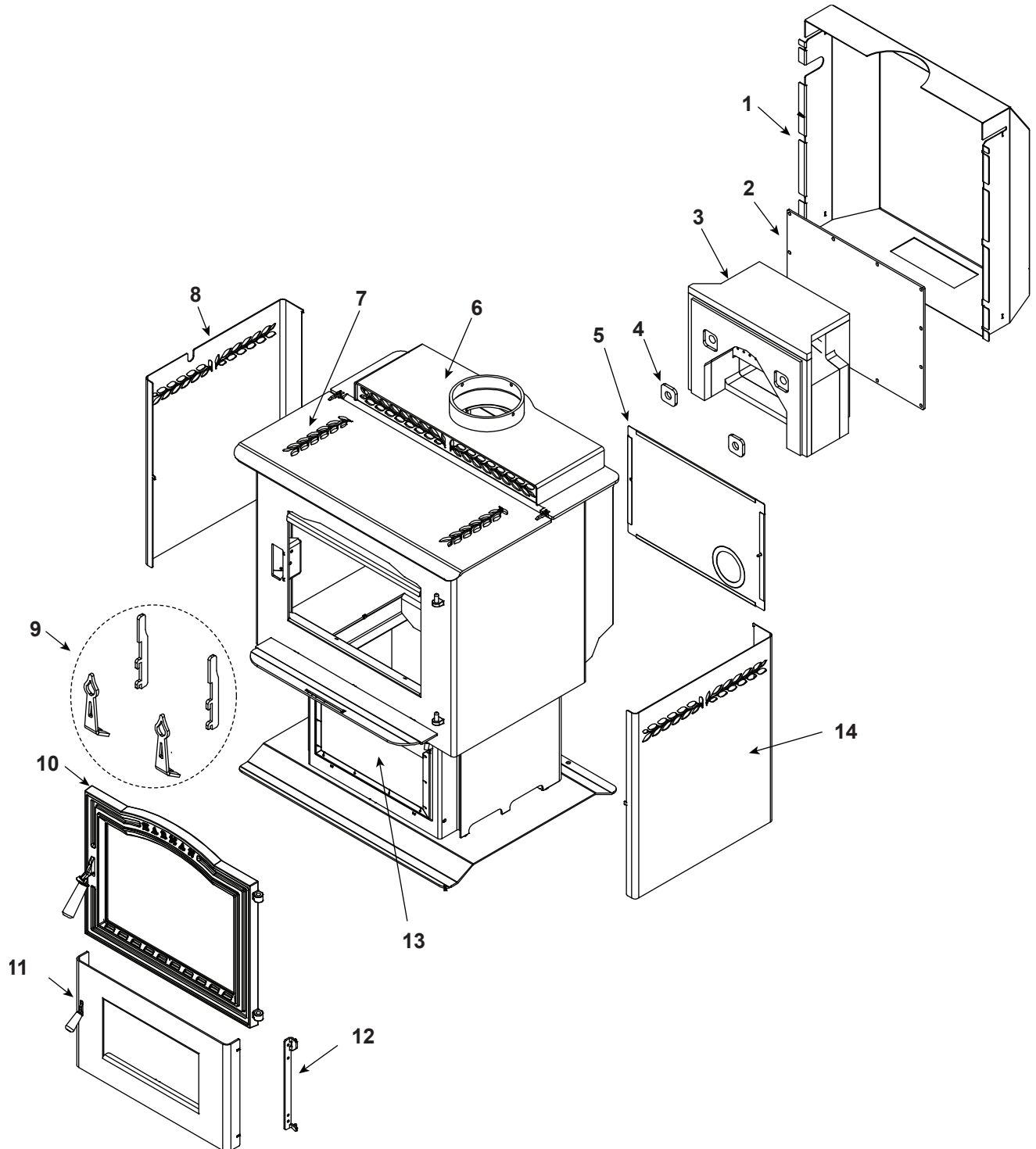


### Retired Units

1-90-06900-1 (Black) (Ending Manufacturing Date: April 2018)  
1-90-06900-2 (Charcoal) (Ending Manufacturing Date: June 2011)  
1-90-06900-3 (Goldenfire) (Ending Manufacturing Date: June 2011)  
1-90-06900-4 (Metallic Blue) (Ending Manufacturing Date: Jan 2010)

1-90-06900-5 (Honey Glo) (Ending Manufacturing Date: June 2009)  
1-90-06900-10 (Mojave Red) (Ending Manufacturing Date: Jan 2010)  
1-90-06900-12 (Forest Green) (Ending Manufacturing Date: Jan 2010)



Part number list on following page.

IMPORTANT: THIS IS DATED INFORMATION. Parts must be ordered from a dealer or distributor. **Hearth and Home Technologies does not sell directly to consumers.** Provide model number and serial number when requesting service parts from your dealer or distributor.



**Stocked  
at Depot**

ITEM	DESCRIPTION	COMMENTS	PART NUMBER	Stocked at Depot
1	Rear Air Jacket		1-10-06928P	
	Bolt, 1/4-20 x 5/8 Grade 8.2 Zinc Flange SAE	Pkg of 50	3-30-2001-50	Y
2	Combustion Package Cover		2-00-06922L	
3	Package with Cap and Gaskets		1-00-06999	Y
	Gasket Set, Complete		3-44-06999	Y
	Package Cap		2-00-06996B	Y
4	Gasket, Brick Air	Pkg of 4	3-44-2500202-4	Y
5	Outside Air Plate		2-00-06943P	
	5/16-18 x 1 1/4" Grade 5 Zinc Plated Hex Cap Screw	Pkg of 50	3-30-1129-50	Y
6	Top Air Grill Assembly		1-10-06946P	
7	Top Load Door Assembly		1-10-06921A	Y
	Dowel Pin, .250 x .375	Pkg of 15	3-30-2019-15	
	Top Load Door Gasket Plate		1-10-40020	Y
	Gasket, Top Load Door		1-00-10050	Y
	Hinge Spacer	Qty 2 req	2-00-40021L	
	Lid Hinge Set, Bottom		1-00-40022	Y
	Nut, Zinc Plated Acron	Pkg of 50	3-30-8014-50	Y
8	Left Side Shield		2-00-06926P	Y
9	Andrion and Andiron Extension Set w/Hardware		2-00-05222-1	Y
	Screw, 5/16-18 x 3/4" Grade 5 Zinc Plated Hex Cap	Pkg of 100	3-30-1125-100	Y
	Washer, 5/16" Zinc Plated USS Flat	Pkg of 100	3-30-0204-100	Y
10	Front Load Door Assembly		1-10-06920A	
	Ball Spring Bracket		2-00-06714	
	Cast Door, Painted		4-00-06920P	
	Door Latch		1-00-249119	Y
	Gasket, Glass	15 Ft	1-00-2312	Y
	Gasket, Load Door	15 Ft	1-00-1203589	Y
	Glass Clips w/Hardware	Pkg of 4	2-00-05202-4	Y
	Glass, Load Door w/Gasket		1-00-06932	Y
	Mounting Screw for Handle, 1/4"-20 x 2 1/2"	Pkg of 25	3-30-6007-25	Y
	Screw, 10-24 x 3/8", Button Head Cap for Glass clips	Pkg of 100	3-30-3021-100	
	Wooden Handle		1-00-00247	Y
11	Ash Door Assembly		1-10-06915A	
	Ash Door Latch	Pre 008325884	SRV3-00-249149	
	Ash Door Latch w/Knob	Post 008325884	1-00-249149	Y
	Gasket, Ash door	5 Ft	1-00-10000	Y
	Wooden Knob, Ash Door	Pre 008325884	3-40-08746-3	
		Post 008325884	1600663	Y
12	Bolt on Ash Door Hinge		2-00-06952B	Y

Additional service part numbers appear on following page.

IMPORTANT: THIS IS DATED INFORMATION. Parts must be ordered from a dealer or distributor. **Hearth and Home Technologies does not sell directly to consumers.** Provide model number and serial number when requesting service parts from your dealer or distributor.

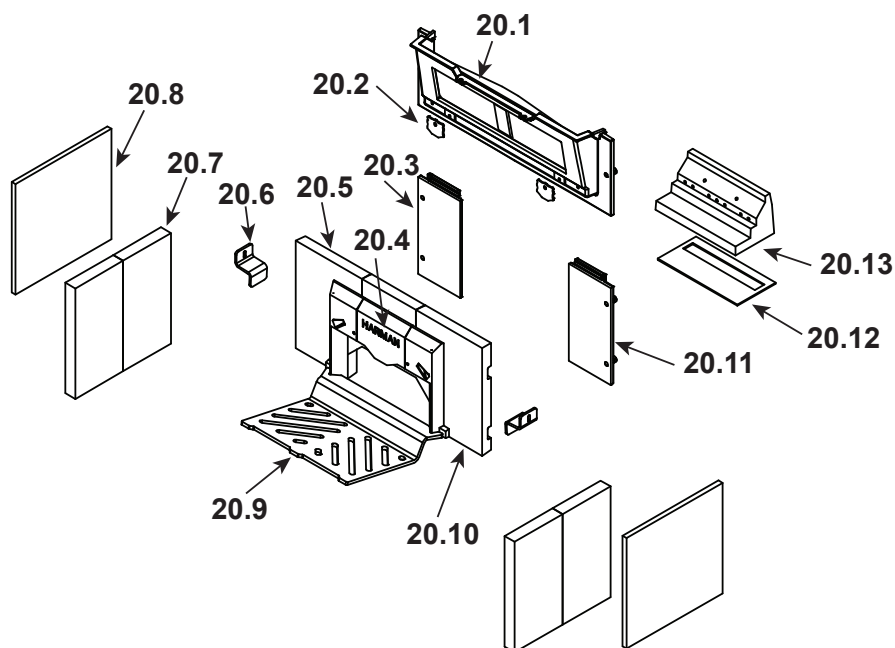


**Stocked at Depot**

ITEM	DESCRIPTION	COMMENTS	PART NUMBER	Stocked at Depot
13	Ash Pan		1-10-06938	Y
14	Right Side Shield		2-00-06927P	Y
<div style="display: flex; justify-content: space-around;"> <div style="text-align: center;"> <p><b>#15 Kit A</b></p> </div> <div style="text-align: center;"> <p><b>#16 Kit B</b></p> </div> <div style="text-align: center;"> <p><b>#17 Air Slide Assembly</b></p> </div> </div>				
15	Kit A (Includes Screws, Steel Sleeve Bushing)		1-00-06902	
16	Kit B (Includes Screws, Steel Sleeve Bushing, Latch Adjuster Plate, Reverse Lock Nut).		1-00-06903	
17.1	Rod Bracket		2-00-06963B	
17.2	Air Slide Adjuster		1-10-06964W	
17.3	Air Slide Weldment		1-10-06950W	
<div style="display: flex; justify-content: space-around;"> <div style="text-align: center;"> <p><b>#18 Pre 008325745 Damper Arm Assembly</b></p> </div> <div style="text-align: center;"> <p><b>#19 Post 008325745 Damper Arm Assembly</b></p> </div> </div>				
18.1	Push-On Cap Lift Arm	No longer available	3-31-500015	
18.2	Wooden Knob		3-40-06956	Y
18.3	Damper Linkage Arm Weldment w/Hardware		1-10-06937W	Y
18.4	Damper Pivot Gear	Pkg of 2	2-00-06924-2	
18.5	Damper Idler Gear		2-00-06923L	
18.6	Damper Arm Gear Weldment		1-10-06916W	Y
18.7	Damper Shaft Cover Weldment		1-10-06918W	
18.8	Damper Linkage Weldment		1-10-249146	Y
18.9	Top Lift Arm weldment		1-10-08127	Y
18.10	1/4-20 Reversible Lock Nut	Pkg of 100	3-30-8020-100	Y
18.11	1/4-20 x 5/8 BHSCS	Pkg of 100	3-30-3016-100	Y
18.12	Hardware Package (Includes Drive Arm Washer, Pusher Block Bushing, Wave Washer, Screws)		1-00-06901	Y
19.1	Damper Linkage Arm Weldment w/Hardware		1-10-06993A	Y
19.2	Wooden Knob		3-40-06956	Y
19.3	Damper Idler Gear, Outer		2-00-06979A	
19.4	Damper Arm Gear Weldment		1-10-06916W	Y
19.5	Damper Idler Gear, Center		2-00-06969A	
19.6	Damper Idler Gear, Inner		2-00-06978A	
19.7	Damper Linkage Weldment		1-10-06987W	Y
	Hardware Package (Includes Drive Arm Washer, Pusher Block Bushing, Wave Washer, Screws)		1-00-06921	Y

Additional service part numbers appear on following page.

### #20 Firebox Assembly



IMPORTANT: THIS IS DATED INFORMATION. Parts must be ordered from a dealer or distributor. **Hearth and Home Technologies does not sell directly to consumers.** Provide model number and serial number when requesting service parts from your dealer or distributor.



Stocked at Depot

ITEM	DESCRIPTION	COMMENTS	PART NUMBER	
20.1	Damper Frame Assembly (Includes Damper)		1-10-249106	Y
	Adjuster w/Hardware	Pre 008323034	1-00-249142	Y
		Post 008323034	1-00-250153	
	Damper w/Adjuster		1-10-249107	
	Damper Shaft Retainers and Hardware	1 Set	1-00-249145	Y
	Gasket, 3/8" Round White for Damper Frame & Plate	15 Ft	1-00-1203589	Y
20.2	Rear Brick Clip	Pkg of 2	1-00-249153	Y
20.3	Left Inside Plate Assembly w/Gasket		1-10-249117A	Y
20.4	Logo Brick		3-40-00101	Y
20.5	Inlet Brick Left		3-40-00103	Y
20.6	Side Brick Bracket	Pkg of 2	1-00-06945	Y
20.7	Fire Brick 6" x 12" (Qty 4 req)		3-40-86125	Y
20.8	Brick Insulation	Qty 2 req	3-40-06944	Y
20.9	Grate		2-00-06925B	Y
20.10	Inlet Brick Right		3-40-00104	Y
20.11	Right Inside Plate Assembly w/Gasket		1-10-249118A	Y
20.12	Shoe Brick Gasket		3-44-06951	Y
20.13	Shoe Brick		3-40-00100	Y

Additional service part numbers appear on following page.

