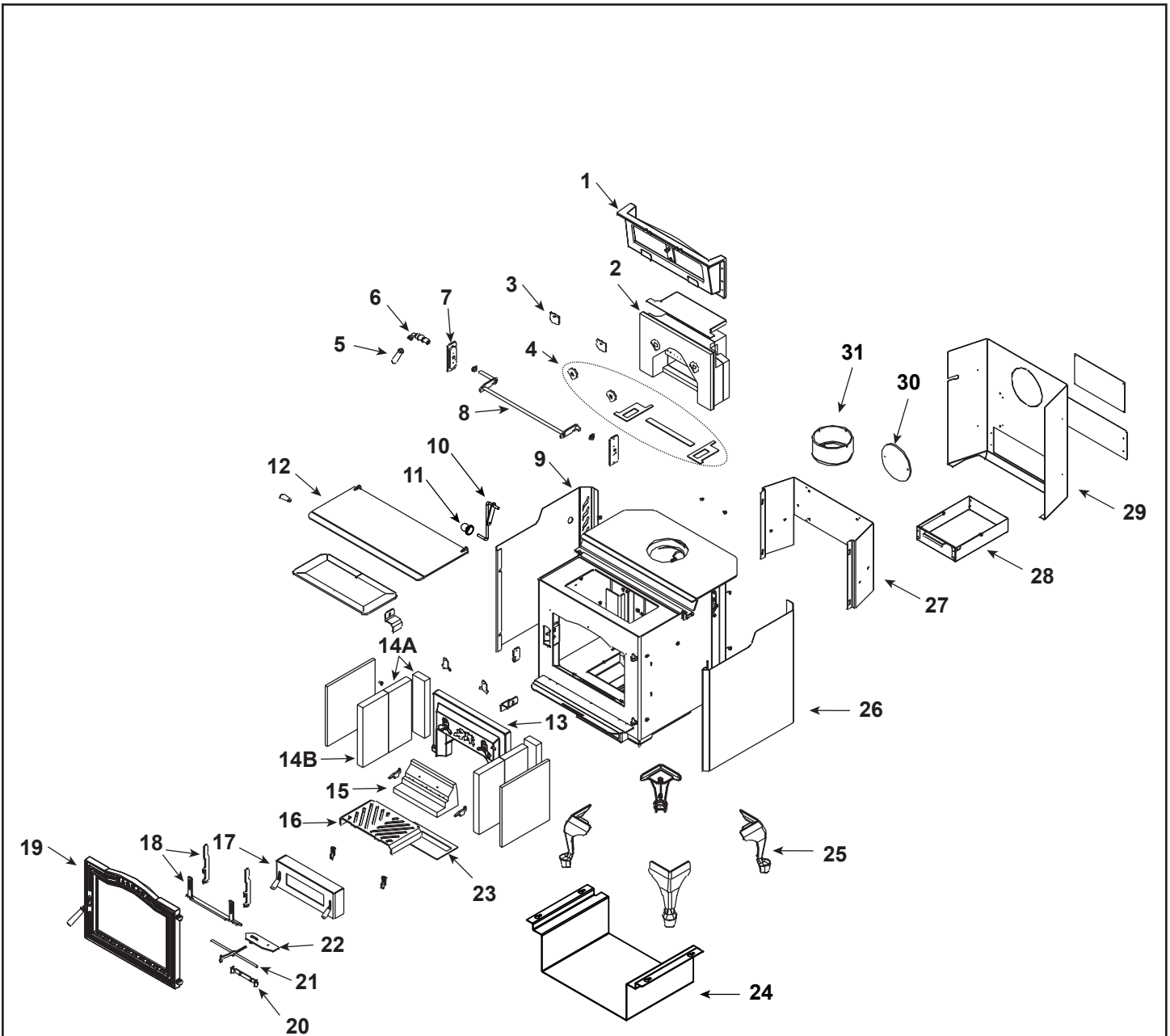


1-90-858000-1



Part number list on following page.

IMPORTANT: THIS IS DATED INFORMATION. Parts must be ordered from a dealer or distributor. **Hearth and Home Technologies does not sell directly to consumers.** Provide model number and serial number when requesting service parts from your dealer or distributor.



**Stocked  
at Depot**

ITEM	DESCRIPTION	COMMENTS	PART NUMBER	
1	Damper Frame Assembly W/Damper		1-10-250109A	Y
	Damper adjuster with hardware		1-00-250153	
	Damper gasket	15 ft	1-00-1203589	Y
	Damper Shaft Retainers & Hardware	Set of 2	1-00-249145	Y
	Damper, Only		1-10-249107	
	Gasket, 1" single Ply Tape	10 Ft	1-00-88100	Y
2	Package with Cap and Gaskets		1-00-358110	Y
	Package Cap		2-00-358150B	
	Gasket, brick air	Pkg of 4	3-44-2500202-4	Y
3	Rear brick clips with hardware	Pkg of 2	1-00-249135	
4	Gasket Set, Complete		3-44-358110	Y
5	Wooden handle for damper w/hardware	Pkg of 2	1-00-00249	Y
6	Damper Elbow, painted		3-50-00500S	Y
7	Damper shaft bushing plates w/hardware	Inner & outer	1-00-856061	Y
8	Damper rod weldment		1-10-856011W	Y
9	Left side panel, painted		2-00-857019B	Y
10	Top Load door Lift Arm w/Knob	Post 008850439	1-10-08722	Y
11	Wood Handle w/Hardware	Post 008850439	1-00-06228	
12	Top Load Door, Painted w/Gasket & Hardware	<b>No Longer Available</b>	1-10-856509A	
		Post 008850439	1-10-856009A	Y
	Bottom Hinge	Set of 2	1-00-856084	
	Hinge Spacer	Qty 2 req	2-00-40021L	
	Top Load Door Gasket	5 Ft	1-00-10050	Y
	Wood Handle, Pkg of 3	Pre 008850439	3-40-08746-3	
13	Inlet brick with air plates		1-00-358112	Y
	Brick Air Plates	Set of 2	1-00-358118	Y
14A	Side & rear cut firebrick	4 pc set	1-00-857047	Y
14B	Brick 12 x 6 x1 1/4	Qty 2 req	3-40-86125	Y
15	Combustion shoe brick		3-40-00100	Y
16	Ash grate		2-00-857052B	Y
17	Ash door asy, painted with handles		1-10-857036A	
	Ash door latch only	Pre 008851329	SRV3-00-249149	
	Ash Door Latch w/Knob	Post 008851329	1-00-249149	Y
	Ash door gasket	5 ft	1-00-10000	Y
	Ash door hinge with hardware	Set of 2	1-00-857050	
	Ash door roller with hardware	Set of 2	1-00-06904	
	Ash Door Wood Handle	Pre 008851329	3-40-08746-3	
		Post 008851329	1600663	Y
18	Andiron with hardware and extensions		1-00-856010	Y

Additional service parts on following page

IMPORTANT: THIS IS DATED INFORMATION. Parts must be ordered from a dealer or distributor. **Hearth and Home Technologies does not sell directly to consumers.** Provide model number and serial number when requesting service parts from your dealer or distributor.



Stocked  
at Depot

ITEM	DESCRIPTION	COMMENTS	PART NUMBER	
19	Front load door asy, painted with glass		1-10-06920A	
	Ball Spring Bracket		2-00-06714	
	Cast Door, Painted		4-00-06920P	
	Door gasket	15 ft	1-00-1203589	Y
	Door latch, painted w/hdwr & handle		1-00-249119	Y
	Glass clips	Set of 4	2-00-05202-4	Y
	Glass Clip Bolts	Pkg of 100	3-30-3021-100	
	Glass gasket	15 ft	1-00-2312	Y
	Glass w/Gasket		1-00-06932	Y
	Latch plate, roller & hardware		1-00-06903	
20	Air slide rod bracket with hardware		1-00-856008	Y
21	Air control weldment		1-10-856004W	Y
22	Air slide		1-10-856003W	Y
23	Shoe brick gasket		3-44-06951	Y
24	Bottom Heat Shield		1-00-857056	
25	Queen Ann Leg, painted w/Hardware	Qty 4 req	1-00-7000551	Y
26	Right side panel, painted		2-00-857021B	Y
27	Heat shield mounting plate, painted		2-00-856026B	
28	Ash pan		1-10-857037A	Y
29	Rear heat shield, painted with hardware		1-00-857024	Y
30	Flue collar Weldment, Painted W/Gasket & Hardware	No longer available	1-10-857038W	Y
		Post 008850219	1-10-857001W	Y
31	Flue Opening Cover		1-00-857023	
	Magnetic Thermometer		3-40-84376	
	Blower Blockoff		1-00-856019	
	Brick Insulation	Qty 2 req	3-40-857054	Y
	Brick retainers with hardware - Side	Set of 2	1-00-06945	Y
	Cast Weld on Hinge	Qty 2 req	3-00-773813	
	Distribution Blower		7000-537	
	Power cord		3-20-06652	Y
	Snap Disc Control		3-20-408412	Y
	Top Vent Cover		1-10-857014	
	Touch Up Paint	Pre 008850474	3-42-1990	
		Post 008850474	3-42-19905	
	Ashlip Trim	Brushed Stainless	3-43-4722386-7	
	Door Trim	Brushed Stainless	3-43-856015-7	

Additional service parts on following page

