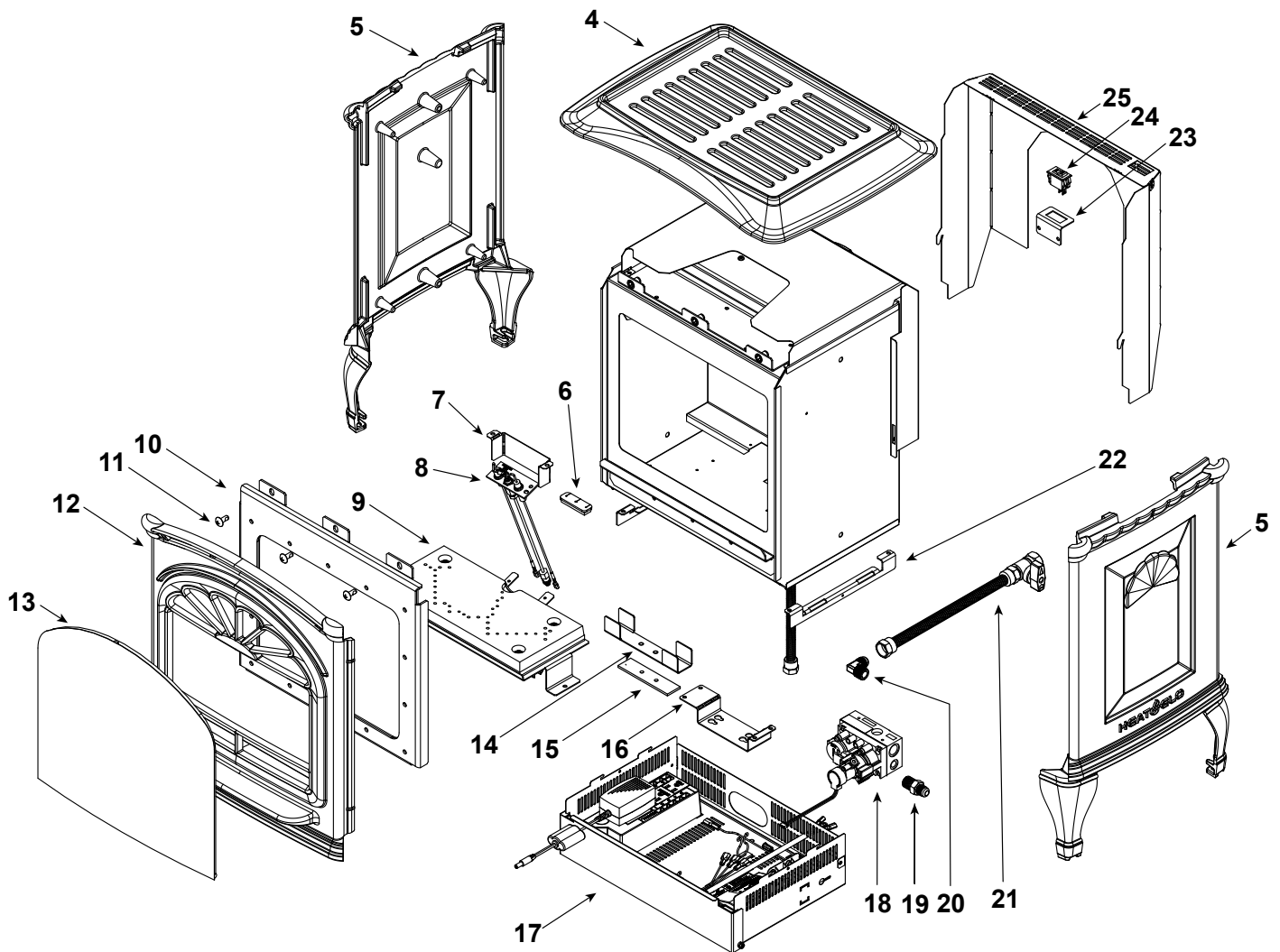
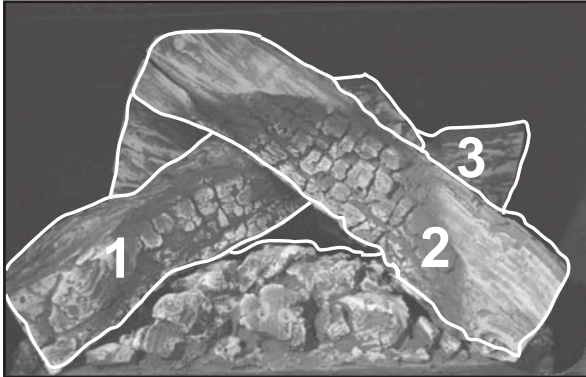


TIARAP-CES-IPI, TIARAP-BR-IPI, TIARAP-BK-IPI

Log Set Assembly



Part number list on following page.

IMPORTANT: THIS IS DATED INFORMATION. Parts must be ordered from a dealer or distributor. **Hearth and Home Technologies does not sell directly to consumers.** Provide model number and serial number when requesting service parts from your dealer or distributor.



**Stocked
at Depot**

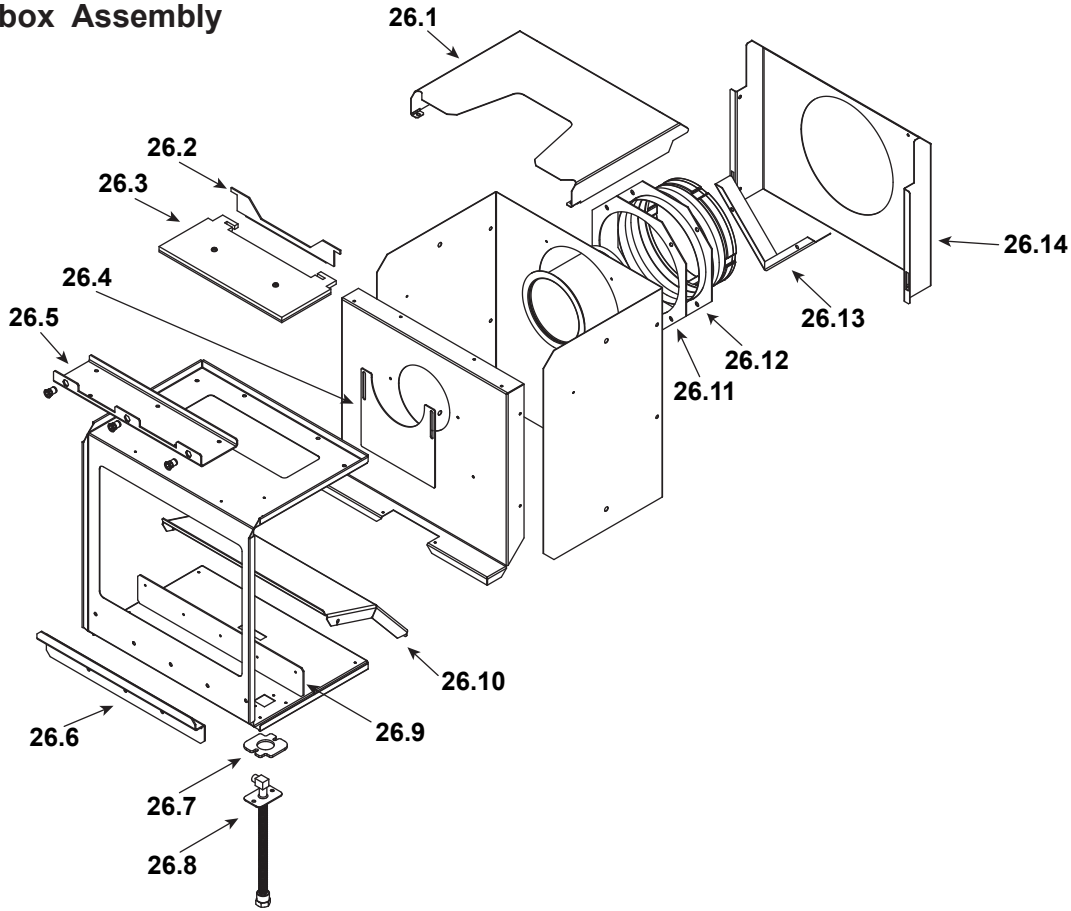
ITEM	DESCRIPTION	COMMENTS:	PART NUMBER	
	Log Set Assembly		LOGS-GARNET	Y
1	Log Left		SRV7016-171	
2	Log Right		SRV7016-170	
3	Log Rear		SRV7016-172	
4	Top	TIARAP-BK	476-0010BK	
		TIARAP-BR	476-0010PBR	
		TIARAP-CES	476-0010CES	
5	Side Left or Right	TIARAP-BK	476-0020BK	
		TIARAP-BR	476-0020PBR	
		TIARAP-CES	476-0020CES	
6	Grommet		SRV2118-420	
7	Pilot Shield		SRV2344-103	
8	Pilot Assembly, NG		SRV2090-012	Y
	Pilot Assembly, LP		2090-013	Y
9	Burner Assembly		SRV2344-007	Y
10	Glass Assembly		GLA2344-019	Y
	Button Head, 1/4-20x5/8 Black	Pkg of 10	1201529-10	
11	Screw 1/4-20 x 5/8	Pkg of 24	220-0440/24	Y
12	Front	TIARAP-BK	476-0030BK	
		TIARAP-BR	476-0030PBR	
		TIARAP-CES	476-0030CES	
13	Screen, Tiara Petite		7026-020	
14	Shutter Assembly		SRV2344-154	
15	Air Shutter Bracket Gasket		2342-159	
16	Valve Bracket		SRV2344-104	
17	Component Tray Assembly		See Following Pages	
18	Valve, IPI (NG)		SRV2166-302	Y
	Valve, IPI (LP)		2166-303	Y
19	Male Connector	Pkg of 5	303-315/5	Y
20	Elbow, 3/8"		SRV4021-045	Y
21	Ball Valve Assembly, 24"		3-40-2098034	Y
22	Component Tray Bracket	Qty 2 req	SRV2344-151	
23	Switch Bracket		SRV2344-143	
24	On/Off, Switch		SRV32D0232	Y
25	Fan Shroud		SRV2344-140	

Additional service part numbers appear on following page.

No one builds a better fire

Beginning Manufacturing Date: July 2014
Ending Manufacturing Date: May 2015

#26 Firebox Assembly



IMPORTANT: THIS IS DATED INFORMATION. Parts must be ordered from a dealer or distributor. **Hearth and Home Technologies does not sell directly to consumers.** Provide model number and serial number when requesting service parts from your dealer or distributor.



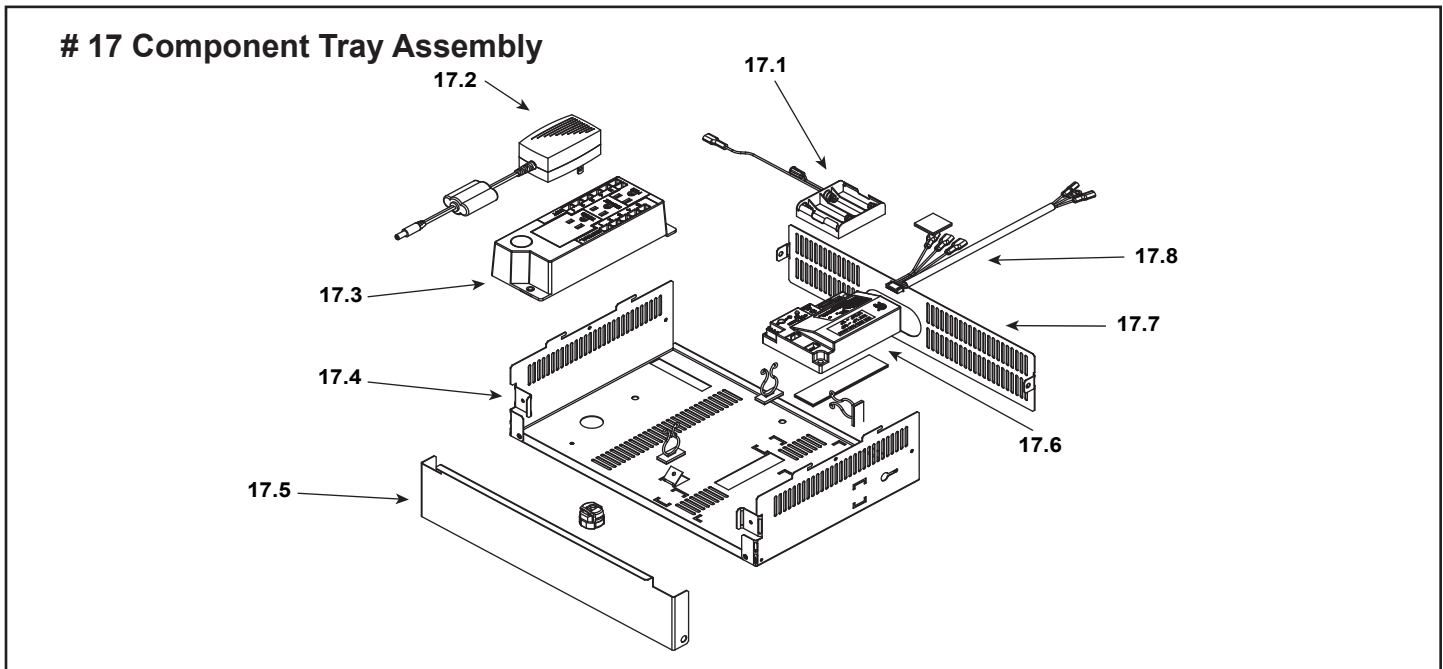
Stocked
at Depot

ITEM	DESCRIPTION	COMMENTS:	PART NUMBER	
26.1	Blower Shroud Top		SRV2344-118	
26.2	Relief Door Bracket		SRV7016-121	
26.3	Relief Door Assembly		7016-005	
26.4	Flue Restrictor		SRV2344-172	
26.5	Stiffener		SRV2344-129	
26.6	Door Retainer		SRV2344-134	
26.7	Burner Neck Gasket		2025-407	
26.8	Bulkhead		SRV7000-156	Y
26.9	Plate, Support		SRV2344-199	
26.10	Baffle		SRV2344-125	
26.11	Adaptor Gasket		SRV460-0610	
26.12	Starter Collar		SRV2189-002	
26.13	Flue Shield		SRV2344-130	
26.14	Blower Shroud Back		SRV2344-132	

Additional service part numbers appear on following page.

No one builds a better fire

Beginning Manufacturing Date: July 2014
Ending Manufacturing Date: May 2015



IMPORTANT: THIS IS DATED INFORMATION. Parts must be ordered from a dealer or distributor. **Hearth and Home Technologies does not sell directly to consumers.** Provide model number and serial number when requesting service parts from your dealer or distributor.



Stocked at Depot

ITEM	DESCRIPTION	COMMENTS:	PART NUMBER	
17.1	Battery Pack **		SRV2166-323	Y
17.2	Junction Box		SRV4021-013	Y
17.3	Transformer		SRV2326-131	Y
17.4	Component Tray		SRV2344-133	
17.5	Access Door		SRV2344-152	
17.6	Module		SRV2166-338	Y
17.7	Cover, Rear		SRV2344-107	
17.8	Wire Harness		2166-304	Y
	Blower Assembly (Optional)		BK-GAS	
	Power Cord		832-2410	
	Orifice, NG, (#49)		SRV582-849	Y
	Orifice, LP, (#57)		582-857	Y
	Snap Disc Bracket		7009-108	
	Touch-Up Paint, TIARAP-BK (Black)	Pre 0081125001	812-0910	
		Post 0081125001	3-42-19905	
	Touch-Up Paint	Espresso	TOUCHUP-CES	
	Conversion Kit NG		NGKI-TIARAP	Y
	Conversion Kit LP		LPKI-TIARAP	Y
	Pilot Orifice NG		SRV593-528	Y
	Pilot Orifice LP		SRV593-527	Y
	Regulator, NG		NGK-DXV-50	Y
	Regulator, LP		SRVLPK-DXV-50	Y

**Fuse for battery pack can be sourced locally, not a warranty item. Specs are 250v, 1A fuse, 3/4" long