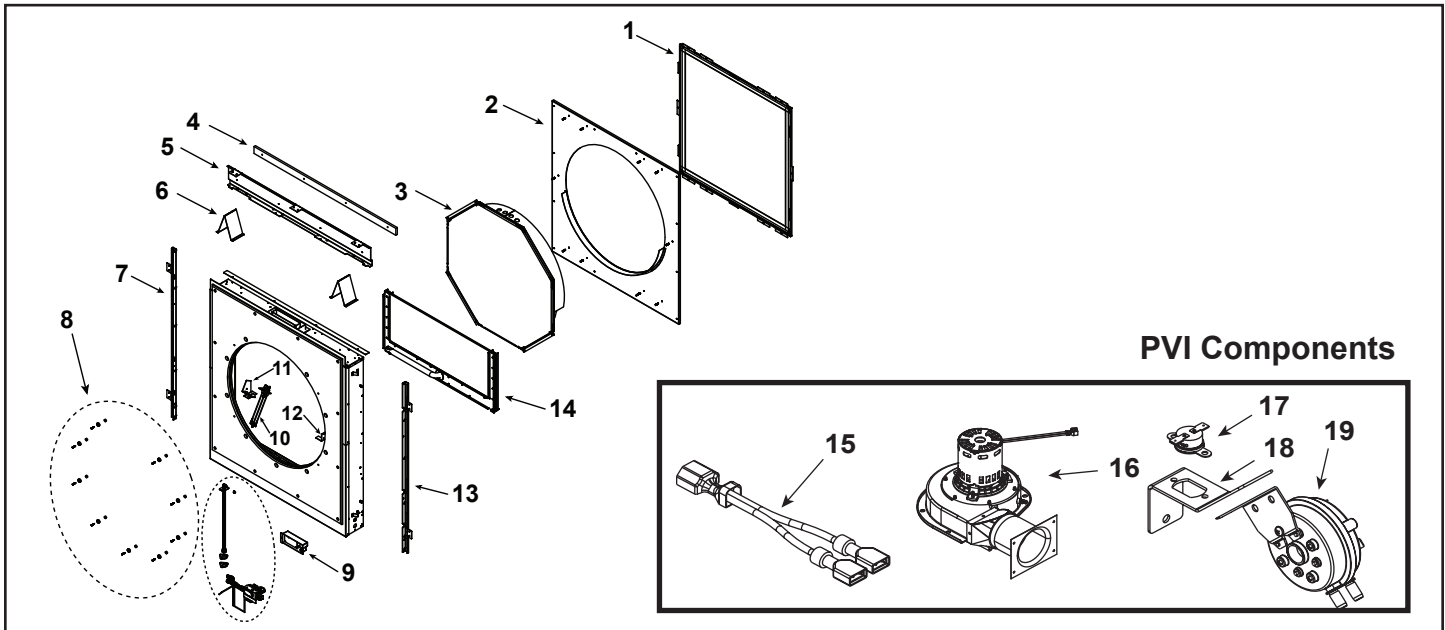


No one builds a better fire

36" See Thru Fireplace

Beginning Manufacturing Date: June 2010
Ending Manufacturing Date: April 2017



IMPORTANT: THIS IS DATED INFORMATION. Parts must be ordered from a dealer or distributor. **Hearth and Home Technologies does not sell directly to consumers.** Provide model number and serial number when requesting service parts from your dealer or distributor.



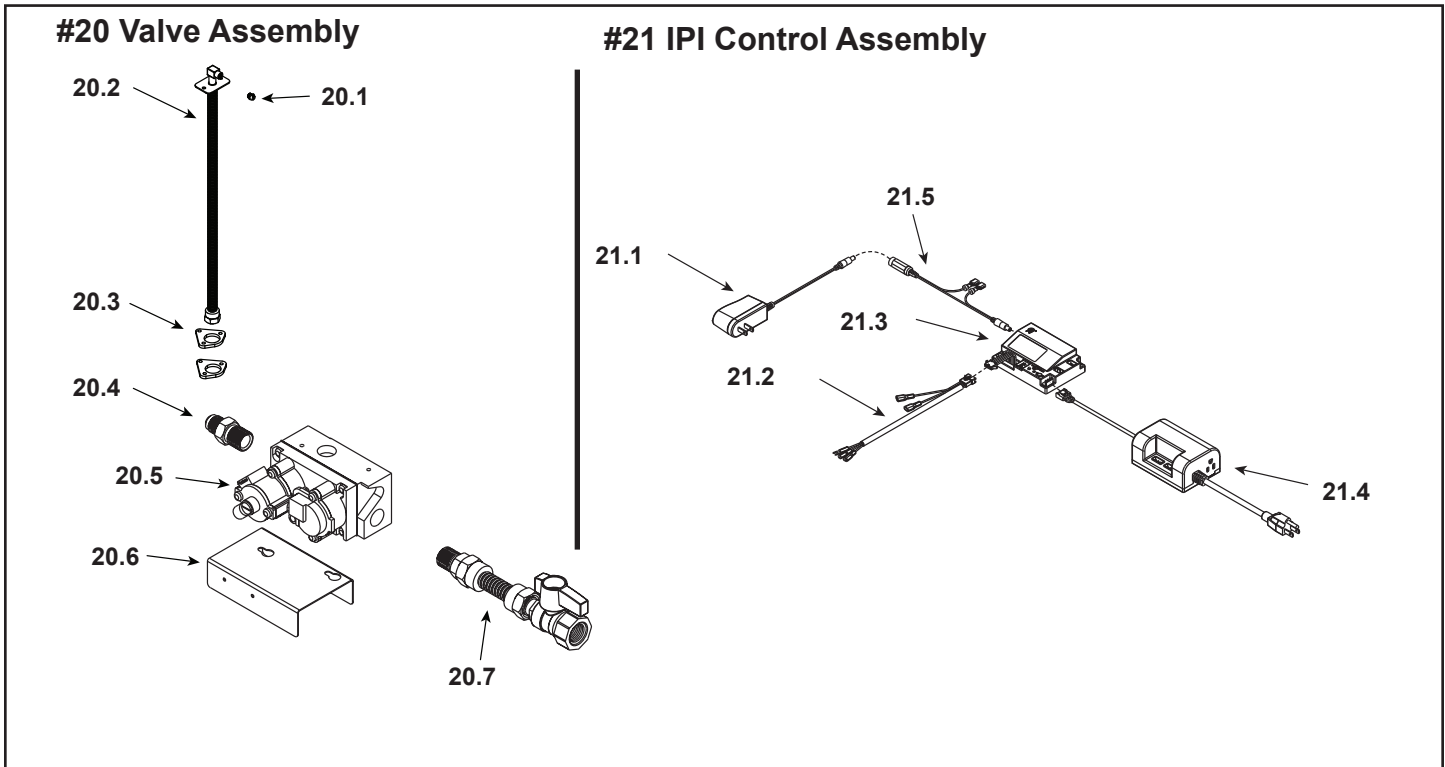
Stocked at Depot

ITEM	DESCRIPTION	COMMENTS	PART NUMBER	
1	Glass Door Assembly	No longer available	SRV2179-009	Y
2	Panel, Back	No longer available	SRV2179-015	
3	Glass Door Assembly	No longer available	SRV2179-008	Y
4	Non-Combustible Board	No longer available	SRV2179-151	
5	Bracket, Non-Combustible Board	No longer available	SRV2179-130	
6	Standoff	No longer available	SRV2179-129	
7	Nailing Tab, Right	No longer available	SRV2179-137	
8	Hardware Pack	No longer available	HDWE-SOLARIS	
9	Junction Box		SRV4021-013	Y
10	Pilot Assembly NG		2457-020	Y
	Pilot Assembly LP	No longer available	2146-021	
		Convert 2457-020 with SRV593-527		
11	Bracket, Pilot	No longer available	SRV2179-128	
12	Bracket, Valve	No longer available	SRV2179-132	
13	Nailing Tab, Left	No longer available	SRV2179-136	
14	Burner NG, LP		SRV2179-010	Y
15	Wire Assembly		SRV2187-198	Y
16	PVI blower		2196-025	
17	Temp Sensor		2199-310	Y
18	Bracket, Temp Sensor		2196-115	
19	Pressure Switch		2196-326	Y
	Jumper Wire		SRV2155-033	Y
	On/Off Wall Switch		WSK-21-W	
	Thermostat Wire		SRV2118-170	Y

Additional service part numbers appear on following page.

No one builds a better fire

Beginning Manufacturing Date: June 2010
Ending Manufacturing Date: April 2017



IMPORTANT: THIS IS DATED INFORMATION. Parts must be ordered from a dealer or distributor. **Hearth and Home Technologies does not sell directly to consumers.** Provide model number and serial number when requesting service parts from your dealer or distributor.



Stocked at Depot

ITEM	DESCRIPTION	COMMENTS	PART NUMBER	Stocked at Depot
20.1	Orifice NG (#38C)		582-838	Y
	Orifice LP (#52C)		SRV582-852	Y
20.2	Flexible Gas Connector		530-302A	Y
20.3	Spacer	No longer available	SRV2179-131	
20.4	Male connector	Pkg of 5	303-315/5	Y
20.5	Valve NG		SRV593-500	Y
	Valve LP		SRV593-501	Y
20.6	Valve Bracket	No longer available	SRV2179-122	
20.7	Flex Ball Valve Assembly	No longer available	492-320A	
21.1	Power Supply, 6 Volt		SRV2326-131	Y
21.2	Wire Harness		2196-200	Y
21.3	Module 8k1-PV1		2196-150	Y
21.4	RCAux 300		SRV2166-335	Y
21.5	Wire, Wall Switch Jumper		SRV2179-300	Y
	Conversion Kit NG	No longer available	NGK-SOL36	
	Conversion Kit LP	No longer available	LPK-SOL36	
	Pilot Orifice NG		SRV593-528	Y
	Pilot Orifice LP		SRV593-527	Y
	Regulator NG		SRVNGK-DXF	Y
	Regulator LP		SRVLPK-DXF	Y