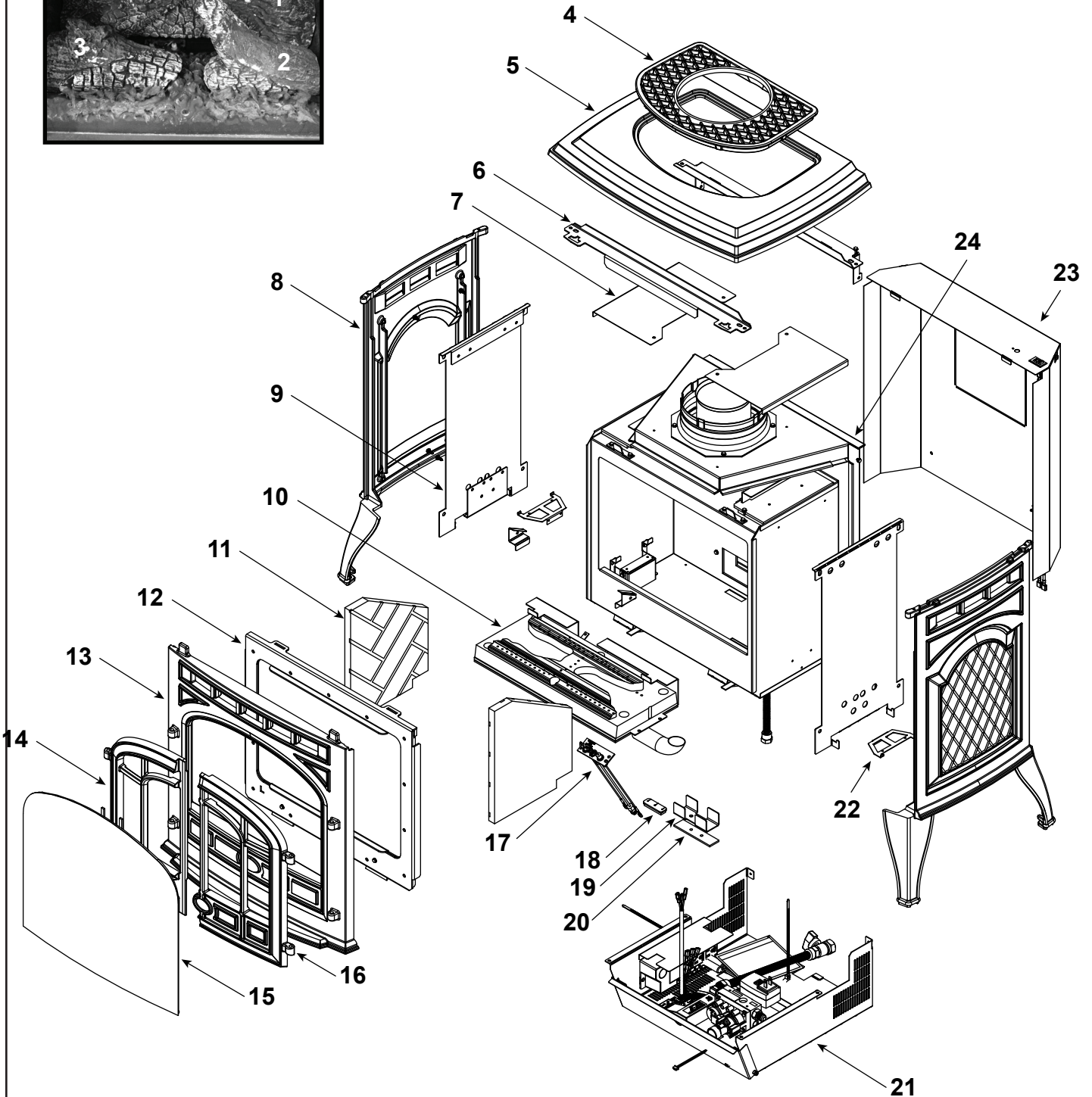


Gas Stove - DV  
Last Serial #HF1053125

Beginning Manufacturing Date: Apr 2014  
Ending Manufacturing Date: Jan 2020

SAPH-MBK-IPI (Black), SAPH-D-PMH-IPI (Porcelain), SAPH-D-MBK-IPI (Black w/Doors), SAPH-D-CSB-IPI (Sienna)

**Log Set Assembly**



Part number list on following page.

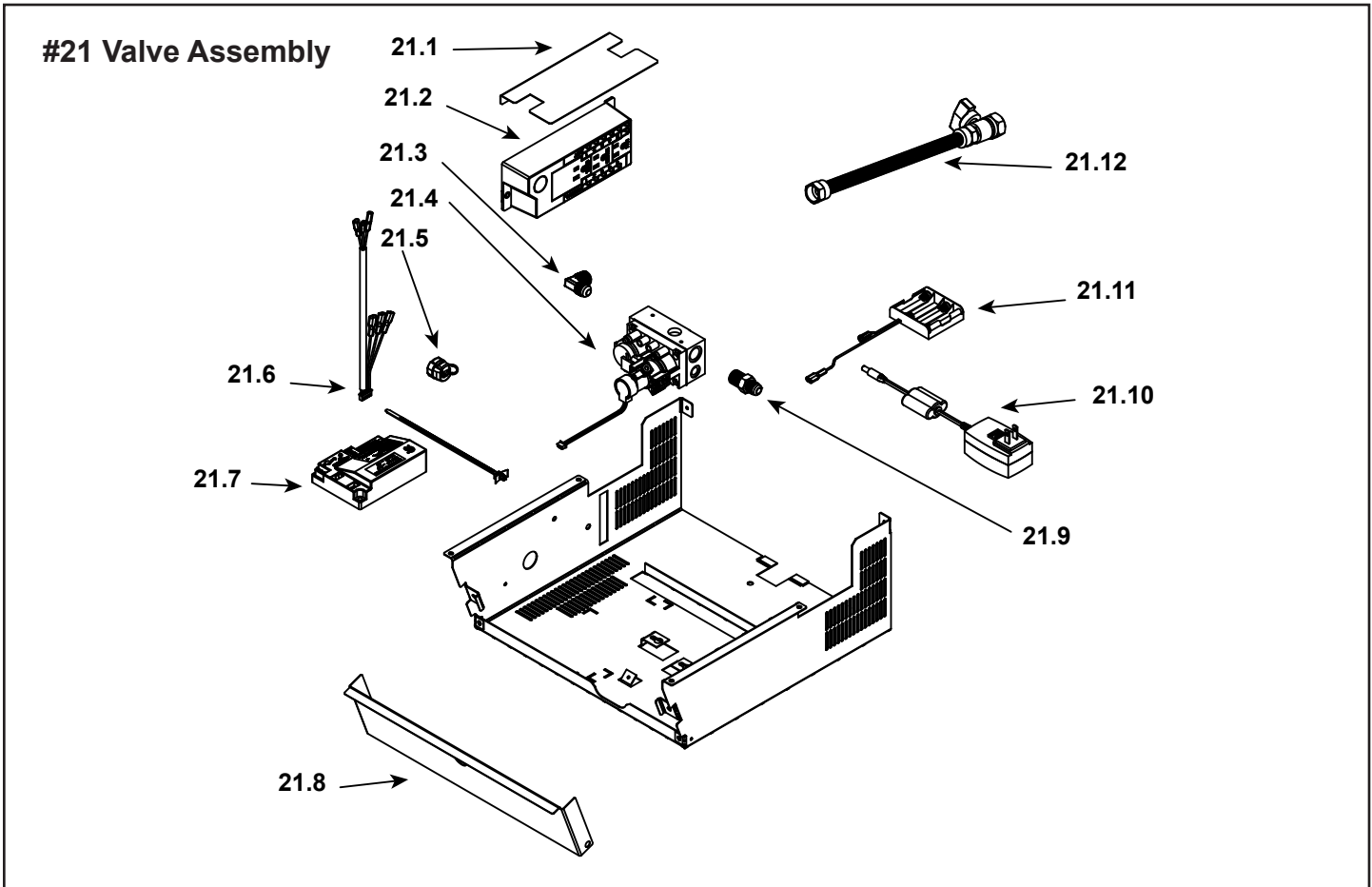
IMPORTANT: THIS IS DATED INFORMATION. Parts must be ordered from a dealer or distributor. **Hearth and Home Technologies does not sell directly to consumers.** Provide model number and serial number when requesting service parts from your dealer or distributor.



**Stocked  
at Depot**

ITEM	DESCRIPTION	COMMENTS:	PART NUMBER	
	Log Set Assembly		LOGS-TS-IPI	Y
1	Log 1		SRV2342-701	
2	Log 2		SRV2342-702	
3	Log 3		SRV2342-703	
	SLP Stove Adaptor	<b>No longer available</b>	SLP-SAM	
4	Grill, Top Vent	Black	455-0370MBK	
		Brown	455-0370PMH	
		Sienna	455-0370CSB	
5	Top	Black	SRV7055-101MBK	
		Brown	SRV7055-101PMH	
		Sienna	SRV7055-101CSB	
6	Cast Retainer	Front	SRV7055-108	
		Rear	2343-110	
7	Upper Fan Shroud	Qty 2 req	2343-130	
8	Side, Left or Right	Black	SRV7021-125MBK	
		Brown	SRV7021-125PMH	
		Sienna	SRV7021-125CSB	
9	Side Heat Shield	Qty 2 req	2343-108	
10	Conversion Kit w/Burner Assembly, NG	<b>Sold as Set Only</b>	NGKI-TIARAI	Y
	Conversion Kit w/Burner Assembly, Propane	<b>Sold as Set Only</b>	LPKI-TIARAI	Y
11	Brick Set		BRICK-TS	
12	Glass Frame Assembly		GLA2342-019	Y
13	Front, Soltaire	Black	SRV7055-123MBK	
	Front, Cabinet Style	Black	SRV7055-103MBK	
		Brown	SRV7055-103PMH	
14	Door Left	Sienna	SRV7055-103CSB	
		Black	SRV7055-107MBK	
		Brown	SRV7055-107PMH	
15	Screen, Sapphire		7055-020	
16	Door Right	Sienna	SRV7055-107CSB	
		Black	SRV7055-105MBK	
		Brown	SRV7055-105PMH	
17	Pilot Assembly, NG		SRV2090-012	Y
	Pilot Assembly, Propane		2090-013	Y
18	3-Hole Grommet		SRV2118-420	
19	Air Shutter		SRV2342-154	
20	Gasket , Air Shutter		2342-159	

Additional service part numbers appear on following page.



IMPORTANT: THIS IS DATED INFORMATION. Parts must be ordered from a dealer or distributor. **Hearth and Home Technologies does not sell directly to consumers.** Provide model number and serial number when requesting service parts from your dealer or distributor.



**Stocked at Depot**

ITEM	DESCRIPTION	COMMENTS:	PART NUMBER	
21.1	Heat Shield, J-box		2342-132	
21.2	Junction Box		SRV4021-013	Y
21.3	Elbow, 3/8" OD Flare x 3/8" NPT		SRV4021-045	
21.4	Valve, IPI	<b>NG</b>	SRV2166-302	Y
		<b>Propane</b>	2166-303	Y
21.5	Cord Clamp		3-20-12402	
21.6	Wire Harness		2166-304	Y
21.7	Module		SRV2166-338	Y
21.8	Access Door		2342-112	
21.9	Male Connector	Pkg of 5	303-315/5	Y
21.10	Transformer, 6V		SRV2326-131	Y
21.11	Battery Pack**		SRV2166-323	Y
21.12	Ball Valve Assembly, 24"		3-40-2098034	Y
	Power Cord		832-2410	

\*\*Fuse for battery pack can be sourced locally, not a warranty item. Specs are 250v, 1A fuse, 3/4" long

Additional service part numbers appear on following page.

Beginning Manufacturing Date: Apr 2014  
Ending Manufacturing Date: Jan 2020

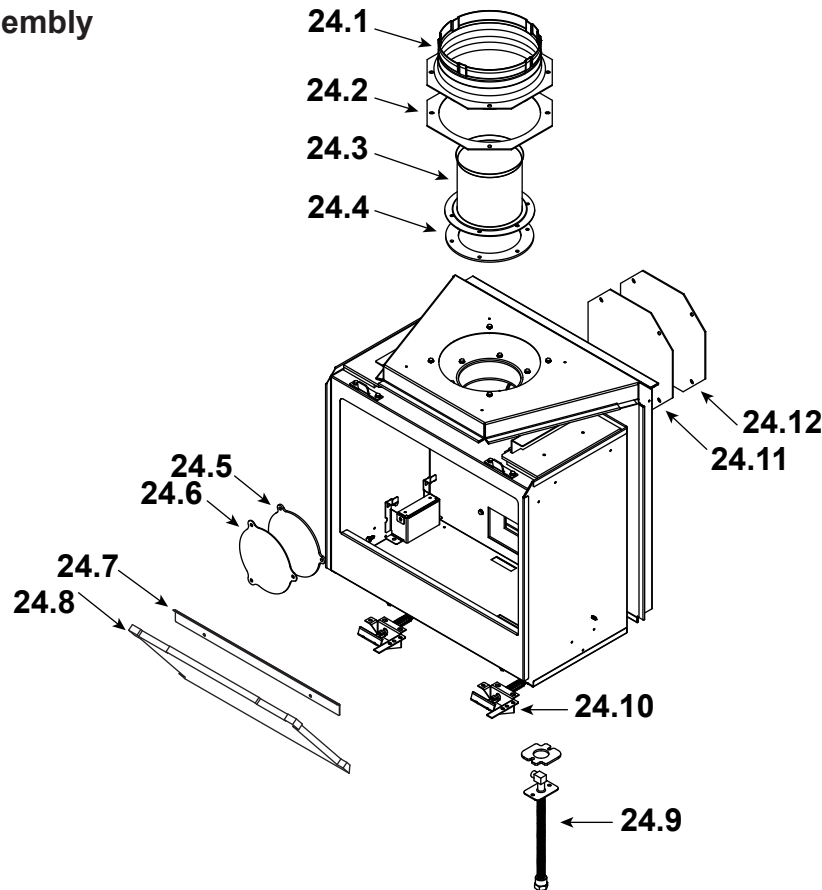
IMPORTANT: THIS IS DATED INFORMATION. Parts must be ordered from a dealer or distributor. **Hearth and Home Technologies does not sell directly to consumers.** Provide model number and serial number when requesting service parts from your dealer or distributor.



**Stocked  
at Depot**

ITEM	DESCRIPTION	COMMENTS	PART NUMBER	
22	Bracket, Cast Side	Qty 2 req	2-00-727000A	
23	Back Shroud	<b>No Longer Available</b>	2343-129	
	On/Off Rocker Switch		SRV32D0232	Y
	Wire Assembly		3-20-2159315	Y

## #24 Firebox Assembly



24.1	Starting Collar		SRV2189-002	
24.2	Gasket, Adaptor		SRV460-0610	
24.3	Flue Assembly		SRV2340-025	
24.4	Gasket, Spacer		2340-203	
24.5	Gasket, Flue Cover		2340-135	
24.6	Flue Cover		SRV2340-134	
24.7	Lower Baffle Support		SRV2342-121	
24.8	Baffle		2342-146	
24.9	Bulkhead		SRV7000-156	Y
24.10	Glass Clip Assembly	Pkg of 2	33858/2	Y
24.11	Cover Plate Gasket		7010-160	
24.12	Cover Plate		SRV7010-159	

IMPORTANT: THIS IS DATED INFORMATION. Parts must be ordered from a dealer or distributor. **Hearth and Home Technologies does not sell directly to consumers.** Provide model number and serial number when requesting service parts from your dealer or distributor.



**Stocked  
at Depot**

ITEM	DESCRIPTION	COMMENTS	PART NUMBER	
	Blower Assembly (Optional)		GFK-160A	
	Retrofit Kit		1-00-2348108	
	Upper Refractory Bracket	Qty 2 req	SRV2342-122	
	Grill, Rear Vent		RV-SAPH-IPI	
	Orifice NG (#46C)		582-846	Y
	Orifice Propane (#55C)		582-855	Y
	Hinge Pins Gold	Pkg of 2	844-5750	Y
	Hinge Pins Nickel	Pkg of 2	1-00-4331590	Y
	Knob, Brass, .75, Propane	Pre 0081075339	456-0080	
	Knob, Brass, .75, NG	Pre 0081050651		
	Knob, Satin Nickel, .75, Propane	Pre 0081075339	3-43-4560080-9	
	Knob, Satin Nickel, .75, NG	Pre 0081050651		
	Magnet, Round		SRV7000-140	Y
	Mineral Wool		050-721	
	Noise Kit		1-00-5051001	
	Touch-Up Paint, Black, NG IPI	Pre 0081050001	812-0910	
		Post 0081050001	3-42-19905	
	Touch-Up Paint, Black, Propane IPI	Pre 0081050001	812-0910	
		Post 0081050001	3-42-19905	
	Touch-Up Paint	Brown	1-00-0014	
		Espresso	Touchup-CES	
		Sienna Bronze	PAINT1-CSB/CES	
	RC100 ( Wall Control )		RC100-QDF	
	RC200 ( Remote Control )		RC200-QDF	
	RC300 ( Remoted Control )		RC300-QDF	
	Orifice, NG, (42C)		582-842	Y
	Orifice, Propane, (54C)		SRV582-854	Y
	Conversion Kit NG		NGKI-TIARAI	Y
	Conversion Kit Propane		LPKI-TIARAI	Y
	Pilot Orifice NG		SRV593-528	Y
	Pilot Orifice Propane		SRV593-527	Y
	Regulator NG		NGK-DXV-50	Y
	Regulator Propane		SRVLPK-DXV-50	Y