

Traditional Log Set Assembly



Birch Log Set Assembly



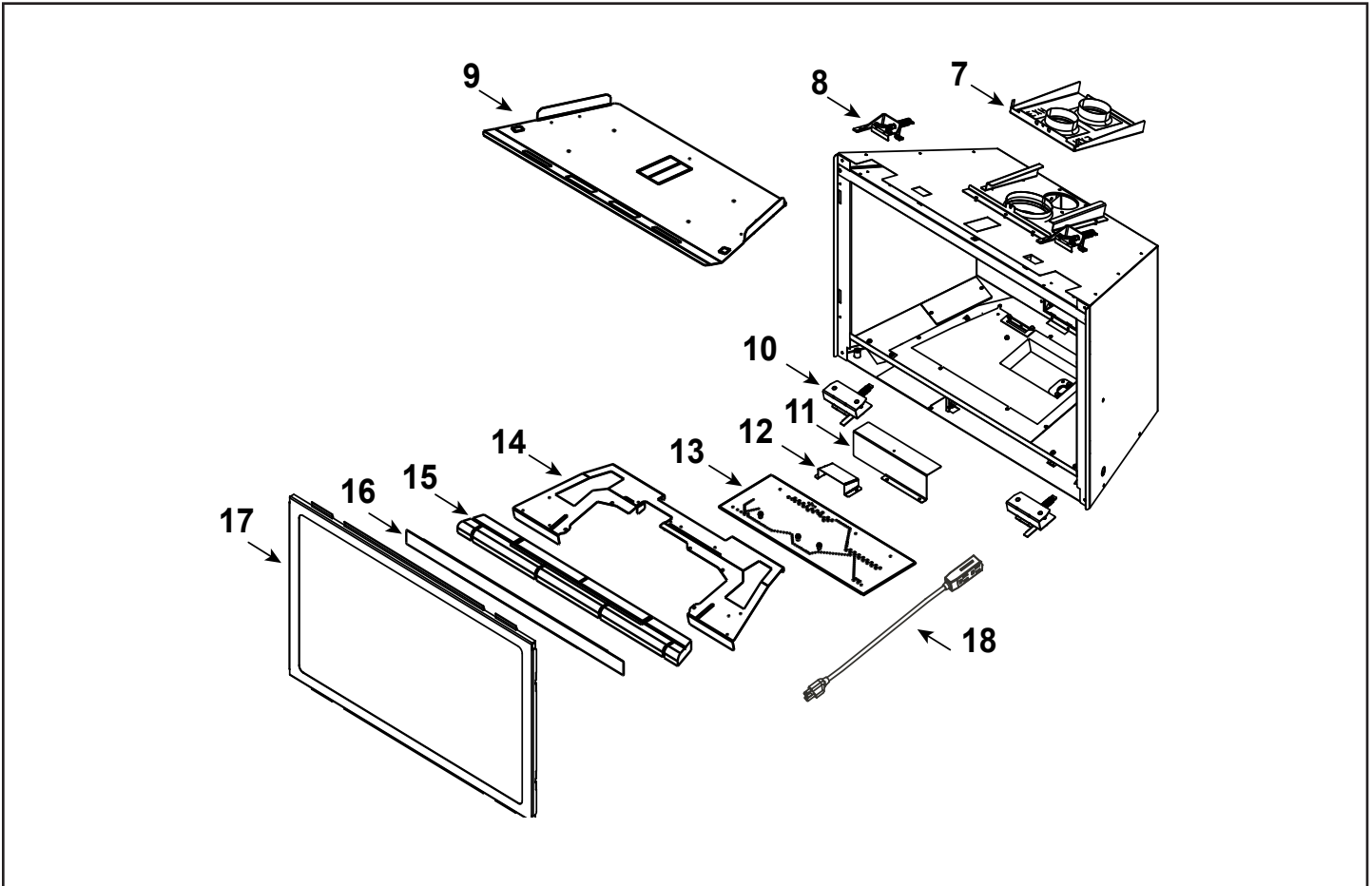
IMPORTANT: THIS IS DATED INFORMATION. Parts must be ordered from a dealer or distributor. **Hearth and Home Technologies does not sell directly to consumers.** Provide model number and serial number when requesting service parts from your dealer or distributor.



**Stocked
at Depot**

ITEM	DESCRIPTION	COMMENTS	PART NUMBER	
	Traditional Log Assembly (Hearth Refractory not Included)		LOGS-2533	Y
1	Log 1		SRV2533-711	
2	Log 2		SRV2533-712	
3	Log 3		SRV2533-713	
4	Log 4		SRV2533-714	
5	Log 5		SRV2532-715	
6	Log 6		SRV2538-715	
	Birch Log Assembly (Hearth Refractory not Included)	Pre LC6711198 Must order complete assembly	LOGS-2533-BIRCH	Y
1	Log 1	Post LC6711198	SRV2533-761	
2	Log 2	Post LC6711198	SRV2533-762	
3	Log 3	Post LC6711198	SRV2533-763	
4	Log 4	Post LC6711198	SRV2533-764	
5	Log 5	Post LC6711198	SRV2533-765	
6	Log 6	Post LC6711198	SRV2533-766	

Additional service part numbers appear on following page.



IMPORTANT: THIS IS DATED INFORMATION. Parts must be ordered from a dealer or distributor. **Hearth and Home Technologies does not sell directly to consumers.** Provide model number and serial number when requesting service parts from your dealer or distributor.



**Stocked
at Depot**

ITEM	DESCRIPTION	COMMENTS	PART NUMBER	Stocked at Depot
7	Slide Plate Assembly		2532-014	
	Tool, Slide Plate (Multi-purpose)		2532-140	
	Gasket		2532-113	
8	Glass Clip Assembly, Top	Qty 2 req	2155-046	
9	Baffle, Firebox		2533-138	
10	Glass Clip Assembly, Bottom	Qty 2 req	2532-009	
11	Air Scoop		2532-135	
12	Pilot Shield		2532-153	
13	Burner Assembly		2533-007	Y
14	Base Pan		2533-130	
15	Hearth Refractory (Not for use with BRICK-MI35-TR/BRICK-MI35-HB)		SRV2544-704	
16	Seal, Glass Frame		2533-122	
17	Glass Door Assembly		GLA-2533	Y
18	Power Cord		2201-024	Y
	Fan		GFK-160A	Y

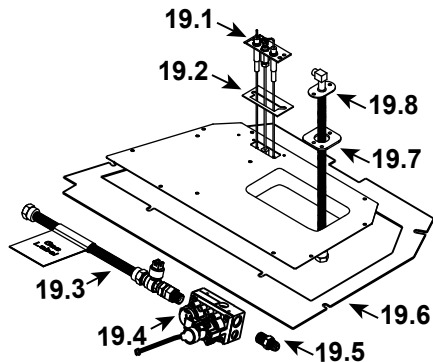
Additional service part numbers appear on following page.

No one builds a better fire

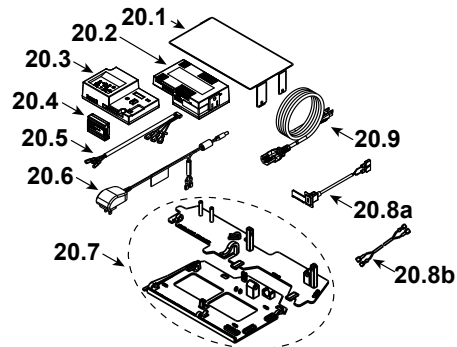
Beginning Manufacturing Date: March 2019

Ending Manufacturing Date: Active

#19 Valve Assembly



#20 Component Tray



IMPORTANT: THIS IS DATED INFORMATION. Parts must be ordered from a dealer or distributor. **Hearth and Home Technologies does not sell directly to consumers.** Provide model number and serial number when requesting service parts from your dealer or distributor.



**Stocked
at Depot**

ITEM	DESCRIPTION	COMMENTS	PART NUMBER	
19.1	Pilot Assembly NG		2550-013	Y
	Pilot Assembly Propane		2550-014	Y
19.2	Pilot Gasket		2532-134	
19.3	Flex Ball Valve Assembly		2532-081	Y
19.4	Valve NG		SRV2166-302	Y
	Valve Propane		2166-303	Y
19.5	Male Connector	Pkg of 5	303-315/5	Y
19.6	Gasket, Valve Plate		2532-131	
19.7	Gasket, Bulkhead		438-407	
19.8	Bulkhead w/Flex Tube		SRV7000-156	Y
	Orifice NG (#33C)		582-833	Y
	Orifice Propane (#50C)		582-850	Y
20.1	Component Heat Shield		2532-144	Y
20.2	Module, B Type AC		SRV2326-150	Y
20.3	Module, IFT Control		SRV2326-130	Y
20.4	Module, RF FCC		SRV2326-120	Y
20.5	Harness, IFT 6 Pin Wiring		SRV2326-132	Y
20.6	6 Volt DC Power Adapter	Post LC5818239	2326-191	Y
	Transformer, 6 Volt Wall	Pre LC5818239	SRV2326-131	Y
	Jumper Wire, 36" Male/Female	Pre LC5818239	2159-310	Y
	Wall Switch Jumper Wire	Pre LC5818239	SRV2179-300	Y
20.7	Tray, Component & Wire		2532-172	Y
20.8a	Assembly, USB-C Bracket	SN Range LC5673022 - LC6494692	2532-301	Y
20.8b	40" Wire Harness	Post LC6494692	SRV2531-140	Y
20.9	Cable, B Type AC Module		SRV2326-152	Y

Additional service part numbers appear on following page.



No one builds a better fire

Beginning Manufacturing Date: March 2019

Ending Manufacturing Date: Active

IMPORTANT: THIS IS DATED INFORMATION. Parts must be ordered from a dealer or distributor. Hearth and Home Technologies does not sell directly to consumers. Provide model number and serial number when requesting service parts from your dealer or distributor.



**Stocked
at Depot**

ITEM	DESCRIPTION	COMMENTS	PART NUMBER	
	Battery Pack**	Pre LC5673022	SRV2326-134	Y
		Post LC5673022	SRV2326-142	
	Bolt, Level Leg	Qty 4 req	2073-162/24	Y
	Fan Dampener		SRV2532-686	
	Back Cover Plate (Fan Access)		SRV2532-166	
	Jumper Wires		SRV2187-198	Y
	Mineral Wool		050-721	
	RC400 Remote		SRV2326-110	Y
	Screw, Bottom Glass Clip	Qty 4 req	419-802/24	Y
	Touch up Paint		TUP-GBK-12	Y
	Vermiculite Embers		MYSTIC-EMBERS	
Conversion Kits				
	Conversion Kit NG		NGK-MI-IFT	Y
	Conversion Kit Propane		LPK-MI-IFT	Y
	Pilot Orifice NG		SRV593-528	Y
	Pilot Orifice Propane		593-526	Y
	Regulator NG		NGK-DXV-50	Y
	Regulator Propane		SRVLPK-DXV-50	Y

**Fuse for battery pack can be sourced locally, not a warranty item. Specs are 250v, 3A fuse, 3/4" long