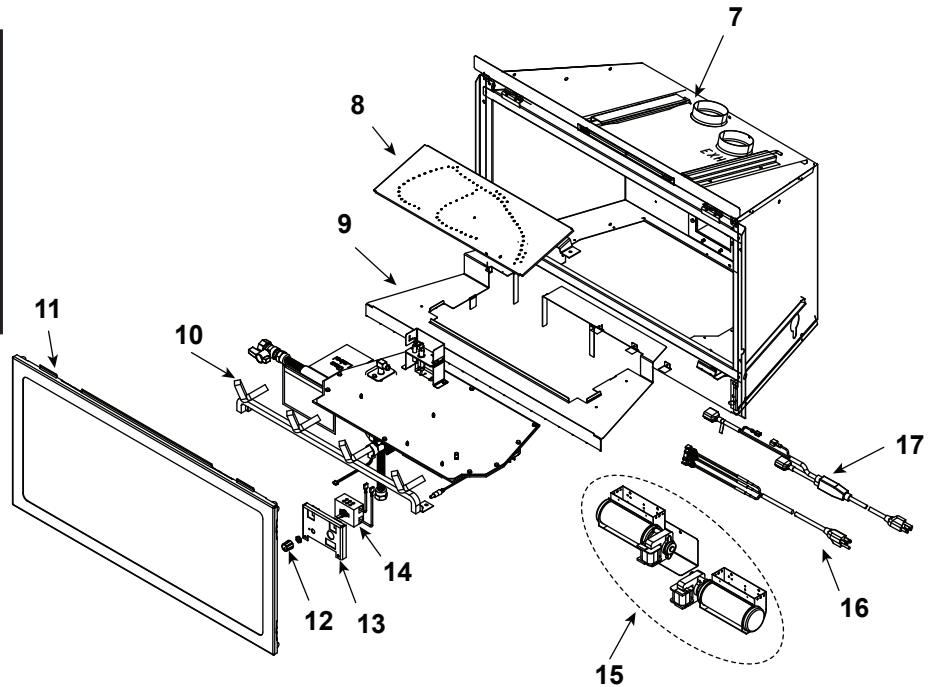


Log Set Assembly



IMPORTANT: THIS IS DATED INFORMATION. Parts must be ordered from a dealer or distributor. **Hearth and Home Technologies does not sell directly to consumers.** Provide model number and serial number when requesting service parts from your dealer or distributor.

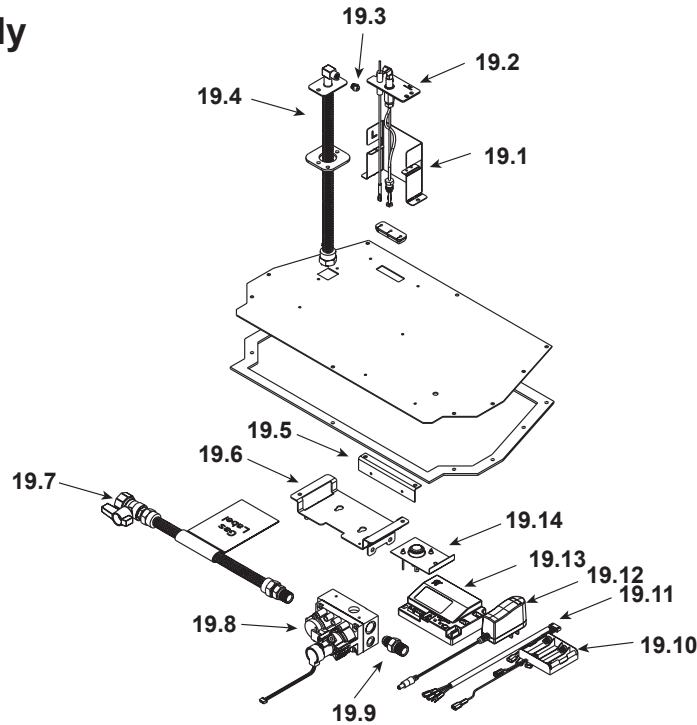


Stocked at Depot

ITEM	DESCRIPTION	COMMENTS	PART NUMBER	
	Log Assembly		LOGS-I30	Y
1	Log 1	No longer available, Must order complete assembly	SRV2206-701	
2	Log 2		SRV2206-705	
3	Log 3		SRV2206-702	
4	Log 4		SRV2206-704	
5	Log 5		SRV2206-703	
6	Log 6		SRV2206-706	
7	Termination Plate Assembly	No Longer Available	2206-012	
	Flex Pipe Handle	No Longer Available	438-351	
	Gasket	No Longer Available	2206-401	
8	Burner Assembly	No Longer Available	SRV2206-007-BK	
9	Base Pan	No Longer Available	SRV2206-106-BK	
10	Grate Assembly	No Longer Available	SRV2206-016-BK	
11	Glass Door Assembly	No Longer Available	GLA-2206	
12	Rheostat Knob		SRV100-512	Y
13	Control Panel	No Longer Available	SRV2205-129-BK	
14	On/Off Rheostat	No Longer Available	SRV2206-800	
15	Blower Assembly		GFK-210-C	
16	Power Cord Assembly		2206-068	Y
17	Cord Assembly		2201-017	Y

Additional service part numbers appear on following page.

#19 Valve Assembly



IMPORTANT: THIS IS DATED INFORMATION. Parts must be ordered from a dealer or distributor. **Hearth and Home Technologies does not sell directly to consumers.** Provide model number and serial number when requesting service parts from your dealer or distributor.



Stocked at Depot

ITEM	DESCRIPTION	COMMENTS	PART NUMBER	
19.1	*Pilot Bracket	Call Tech Service with Serial number		
19.2	*Pilot Assembly NG		Call Tech Service with Serial number	
	*Pilot Assembly LP			
19.3	Orifice NG (#35C)		SRV582-835	Y
	Orifice LP (#51C)		SRV582-851	Y
19.4	18" Flex Tube Assembly		530-302A	Y
19.5	Control Panel Bracket	No Longer Available	SRV2205-128	
19.6	Valve Bracket		SRV2205-146	
19.7	Flex Ball Valve Assembly		SRV302-320	Y
19.8	Valve NG		SRV2166-302	Y
	Valve LP		2166-303	Y
19.9	Brass Connector	Pkg of 5	303-315/5	Y
19.10	Battery Pack**		SRV2166-323	Y
19.11	Wire Harness		2166-304	Y
19.12	Power Supply		SRV2326-131	Y
19.13	Module		2166-347	Y
19.14	Temp Sensor Assembly		SRV046-018A	Y

**Fuse for battery pack can be sourced locally, not a warranty item. Specs are 250v, 1A fuse, 3/4" long

*Call Tech Service with serial number for correct conversion and/or possible upgrade pilot kit

Additional service part numbers appear on following page.

