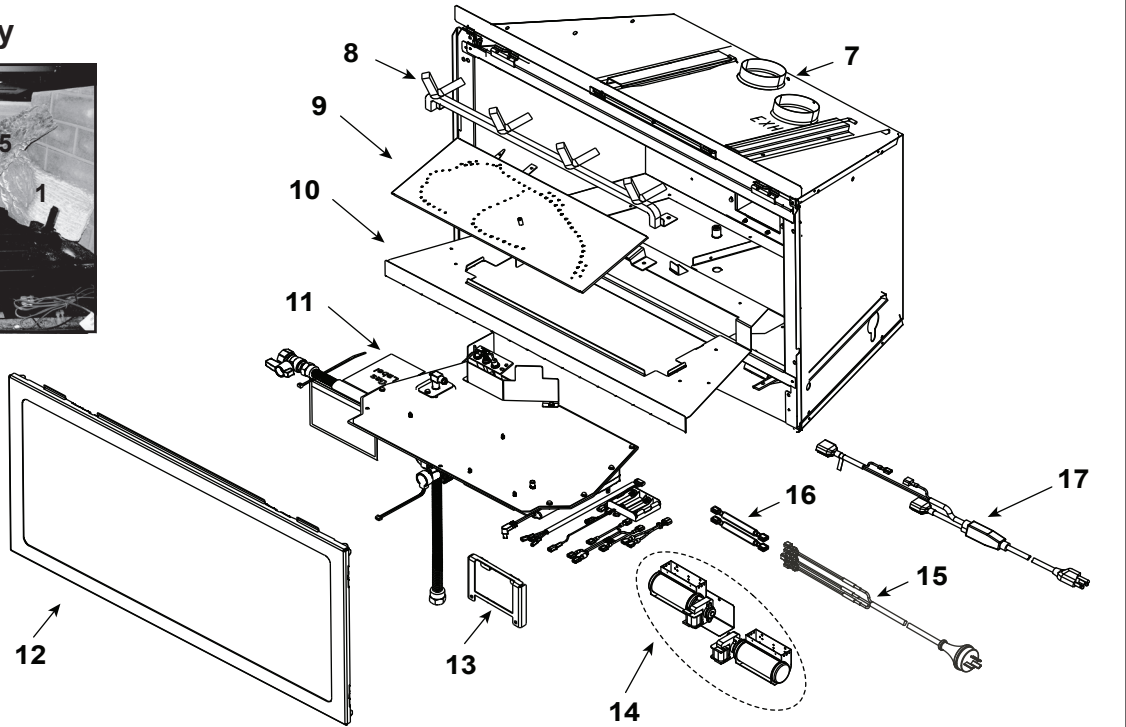
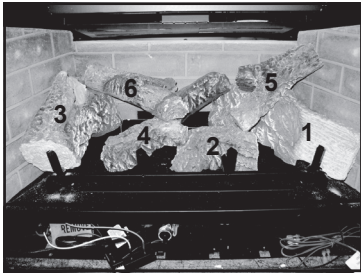


### Log Set Assembly



**IMPORTANT: THIS IS DATED INFORMATION.** Parts must be ordered from a dealer or distributor. **Hearth and Home Technologies does not sell directly to consumers.** Provide model number and serial number when requesting service parts from your dealer or distributor.

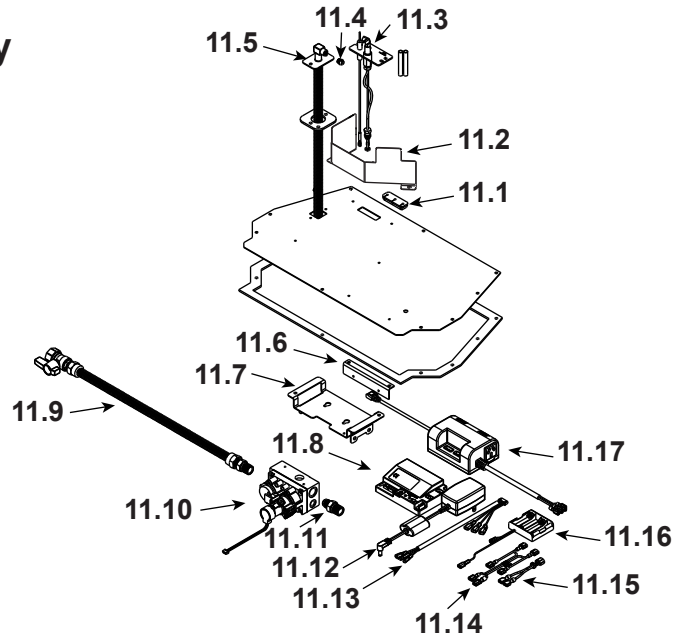
ITEM	DESCRIPTION	COMMENTS	PART NUMBER
	Log Assembly		LOGS-I30
1	Log 1		SRV2206-701
2	Log 2		SRV2206-705
3	Log 3		SRV2206-702
4	Log 4		SRV2206-704
5	Log 5		SRV2206-703
6	Log 6		SRV2206-706
7	Termination Plate Assembly	No Longer Available	2206-013
	Flex Pipe Handle	No Longer Available	438-351
	Gasket	No Longer Available	2206-178
8	Grate Assembly	No Longer Available	SRV2206-016-BK
9	Burner Assembly		SRV2206-009-BK
10	Base Pan	No Longer Available	SRV2206-127-BK
11	Valve Assembly		See following page
12	Glass Door Assembly	No Longer Available	GLA-2206
13	Control Panel	No Longer Available	SRV2222-129-BK
14	Blower		GFK-210-240V
15	Jumper Plug Fan to AUX		2222-068
16	Fuse Wire Harness	Qty 2 req	2166-341
17	Cord Assembly		SRV2222-374

Additional service part numbers appear on following page.

No one builds a better fire

Beginning Manufacturing Date: Feb 2017  
Ending Manufacturing Date: Feb 2019

### #11 Valve Assembly



**IMPORTANT: THIS IS DATED INFORMATION.** Parts must be ordered from a dealer or distributor. **Hearth and Home Technologies does not sell directly to consumers.** Provide model number and serial number when requesting service parts from your dealer or distributor.

ITEM	DESCRIPTION	COMMENTS	PART NUMBER
11.1	Grommet, 3 Hole		SRV2118-420
11.2	Pilot Shield	No Longer Available	SRV2206-120-BK
11.3	Pilot Assembly NG		2202-013
	Pilot Assembly LP		2202-014
11.4	Orifice NG (#35C)		SRV582-835
	Orifice LP (#51C)		SRV582-851
	Orifice B (#53C)		582-853
11.5	Flexible Gas Connector		530-302A
11.6	Control Panel Bracket	No Longer Available	SRV2205-128
11.7	Valve Bracket		SRV2205-146
11.8	Module		2166-347
11.9	Flex Ball Valve Assembly		SRV302-320
11.10	Valve NG		SRV2166-302
	Valve LP		2166-303
11.11	Brass Connector	Pkg of 5	303-315/5
11.12	Power Supply		SRV2326-131
11.13	Wire Harness		2166-304
11.14	Remote Jumper Wire		2103-013
11.15	Jumper Wire		SRV2187-198
11.16	**Battery Pack		SRV2166-323
11.17	Aux 300 CE		2166-340

\*\*Fuse for battery pack can be sourced locally, not a warranty item.

Additional service part numbers appear on following page.

