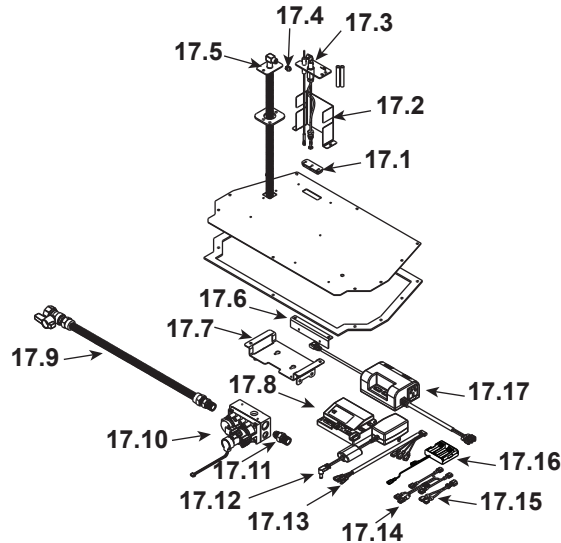


**IMPORTANT: THIS IS DATED INFORMATION.** Parts must be ordered from a dealer or distributor. **Hearth and Home Technologies does not sell directly to consumers.** Provide model number and serial number when requesting service parts from your dealer or distributor.

ITEM	DESCRIPTION	COMMENTS	PART NUMBER
	Log Assembly		LOGS-I30AU
1	Log 1	<b>Pre 5/15/16, Must order complete assembly</b>	SRV2222-701
2	Log 2		SRV2222-705
3	Log 3		SRV2222-702
4	Log 4		SRV2222-704
5	Log 5		SRV2222-703
6	Log 6		SRV2222-706
7	Termination Plate Assembly	No longer available	2206-012
		No longer available	2206-013
	Flex Pipe Handle	No longer available	438-351
	Gasket	No longer available	2206-401
		No longer available	2206-178
8	Burner Assembly		SRV2206-009-BK
9	Base Pan	No longer available	SRV2206-106-BK
10	Grate Assembly	No longer available	SRV2206-016-BK
11	Glass Door Assembly	No longer available	GLA-2206
12	Control Panel	No longer available	SRV2222-129-BK
13	Junction Cord Assembly		SRV2222-374
14	Blower Assembly		GFK210-240V
15	Jumper Plug Fan to AUX		2222-068
16	Fuse Wire Harness	Qty 2 req	2166-341

Additional service part numbers appear on following page.

### #17 Valve Assembly



**IMPORTANT: THIS IS DATED INFORMATION.** Parts must be ordered from a dealer or distributor. **Hearth and Home Technologies does not sell directly to consumers.** Provide model number and serial number when requesting service parts from your dealer or distributor.

ITEM	DESCRIPTION	COMMENTS	PART NUMBER
17.1	3-Hole Grommet		SRV2118-420
17.2	Pilot Bracket	Pre 0022995989	SRV2206-105-BK
		<b>No longer available</b>	SRV2206-120-BK
17.3	***Pilot Assembly N	Pre 0022995989	2198-014
		Post 0022995989	2202-013
	***Pilot Assembly P	Pre 0022995989	2198-015
		Post 0022995989	2202-014
17.4	Orifice N (#36C)		582-836
	Orifice P (#52C)		SRV582-852
17.5	18" Flex Tube Assembly		530-302A
17.6	Control Panel Bracket	<b>No longer available</b>	SRV2205-128
17.7	Valve Bracket		SRV2205-146
17.8	Module		2166-306
17.9	Flex Ball Valve Assembly		2098-320A
17.10	Valve N		SRV2166-302
	Valve P		2166-303
17.11	Brass Connector	Pkg of 5	303-315/5
17.12	Power Supply Adapter		SRV2326-131
17.13	Wire Harness		2166-304
17.14	Jumper Wire, Remote		2103-013
17.15	Jumper Wire		SRV2187-198
17.16	Battery Pack**		SRV2166-323
17.17	AUX300-CE, Pre SN #0023019789 must also order Jumper Wire (2166-375)		2166-340

\*\*Fuse for battery pack can be sourced locally, not a warranty item.

\*\*\*If ordering post pilot assembly with a Pre serial number must also order SRV2206-120-BK

Additional service part numbers appear on following page.

