

IMPORTANT: THIS IS DATED INFORMATION. When requesting service or replacement parts for your appliance please provide model number and serial number. All parts listed in this manual may be ordered from an authorized dealer.



**Stocked at Depot**

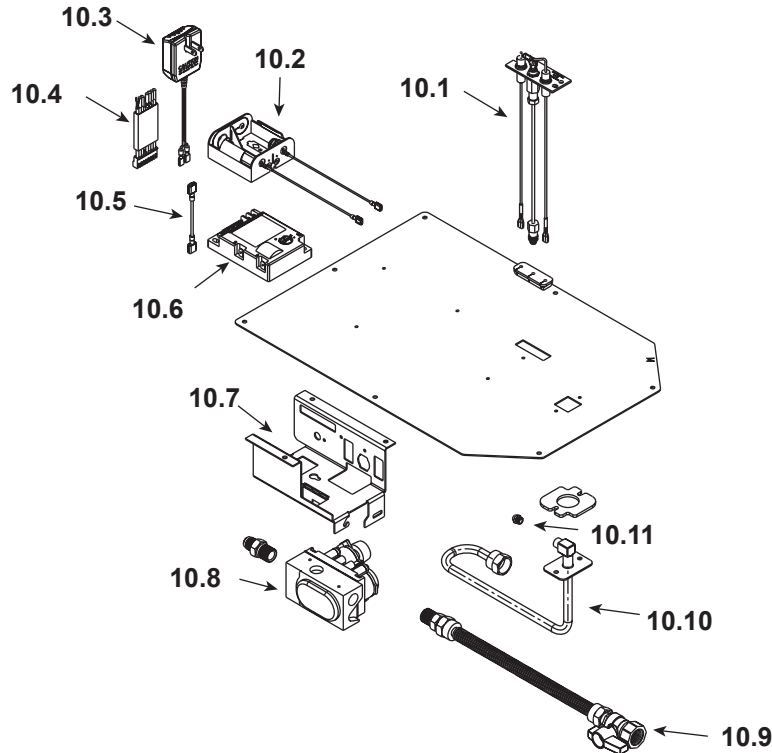
| ITEM | DESCRIPTION   | COMMENTS            | PART NUMBER  |   |
|------|---|---------------------|--------------|---|
| 1    | Non-comb Board  | Pre 12/31/14        | 2142-139     |   |
|      |   | Post 12/31/14       | 2142-469     |   |
| 2    | Basepan Ledge   | Qty 2 req           | 2142-118     |   |
| 3    | Refractory Panels   | Qty 2 req           | 2142-117     |   |
| 4    | Base Pan  |                     | 2142-115     |   |
| 5    | Glass Assembly  | Qty 2 req           | GLA-550TR    | Y |
| 6    | Burner Leg  | Qty 2 req           | 2142-120     |   |
| 7    | Burner NG, Propane  |                     | 2142-007     | Y |
| 8    | Junction Box Bracket  |                     | 2128-128     |   |
| 9    | Junction Box  |                     | SRV4021-013  | Y |
|      | Mesh Assembly   | Pre 12/31/14        | 2142-031     | Y |
|      | Front   | Black               | MODERN-32-BK |   |
|      | Exhaust Restrictor  |                     | 530-299      |   |
|      | Fiberglass Rope Ring  | No Longer Available | 045-455      |   |
|      | Gasket Assembly   |                     | 2128-081     |   |
|      | Contains Vent, Seal Cap, Burner Neck, Shutter Bracket and Valve Plate Gaskets |                     |              |   |
|      | Glass Latch Assembly  | Pkg of 2            | 33858/2      | Y |
|      | Pilot Bracket   |                     | 2142-124     |   |
|      | Surround Overlay (contains overlay for top, bottom and sides)                 |                     | SRV2126-FACE |   |
|      | Touch Up Paint  |                     | TUP-GBK-12   |   |

Additional service part numbers appear on following page.

No one builds a better fire

Beginning Manufacturing Date: Nov 2008  
Ending Manufacturing Date: Mar 2020

### #10 Valve Assembly



IMPORTANT: THIS IS DATED INFORMATION. When requesting service or replacement parts for your appliance please provide model number and serial number. All parts listed in this manual may be ordered from an authorized dealer.



**Stocked at Depot**

| ITEM  | DESCRIPTION              | COMMENTS | PART NUMBER | Stocked at Depot |
|-------|--------------------------|----------|-------------|------------------|
| 10.1  | Pilot Assembly NG        |          | SRV2090-012 | Y                |
|       | Pilot Assembly Propane   |          | 2090-013    | Y                |
| 10.2  | Battery Pack             |          | SRV593-594  | Y                |
| 10.3  | 3 Volt Transformer       |          | SRV593-593  | Y                |
| 10.4  | Module Wire Assembly     |          | SRV593-590  | Y                |
| 10.5  | Jumper Wires 2"          |          | SRV2012-206 | Y                |
| 10.6  | Module                   |          | SRV593-592  | Y                |
| 10.7  | Valve Bracket            |          | 2118-104    |                  |
| 10.8  | Valve NG                 |          | 750-500     | Y                |
|       | Valve Propane            |          | SRV593-501  | Y                |
| 10.9  | Flex Ball Valve Assembly |          | SRV302-320  | Y                |
| 10.10 | Flexible Gas Connector   |          | 530-302A    | Y                |
| 10.11 | Orifice NG (#43C)        |          | SRV582-843  | Y                |
|       | Orifice Propane (#54C)   |          | SRV582-854  | Y                |
|       | Conversion Kit NG        |          | NGK-550TM   | Y                |
|       | Conversion Kit Propane   |          | LPK-550TM   | Y                |
|       | Pilot Orifice NG         |          | SRV593-528  | Y                |
|       | Pilot Orifice Propane    |          | SRV593-527  | Y                |
|       | Regulator NG             |          | SRVNGK-DXV  | Y                |
|       | Regulator Propane        |          | SRVLPK-DXF  | Y                |