

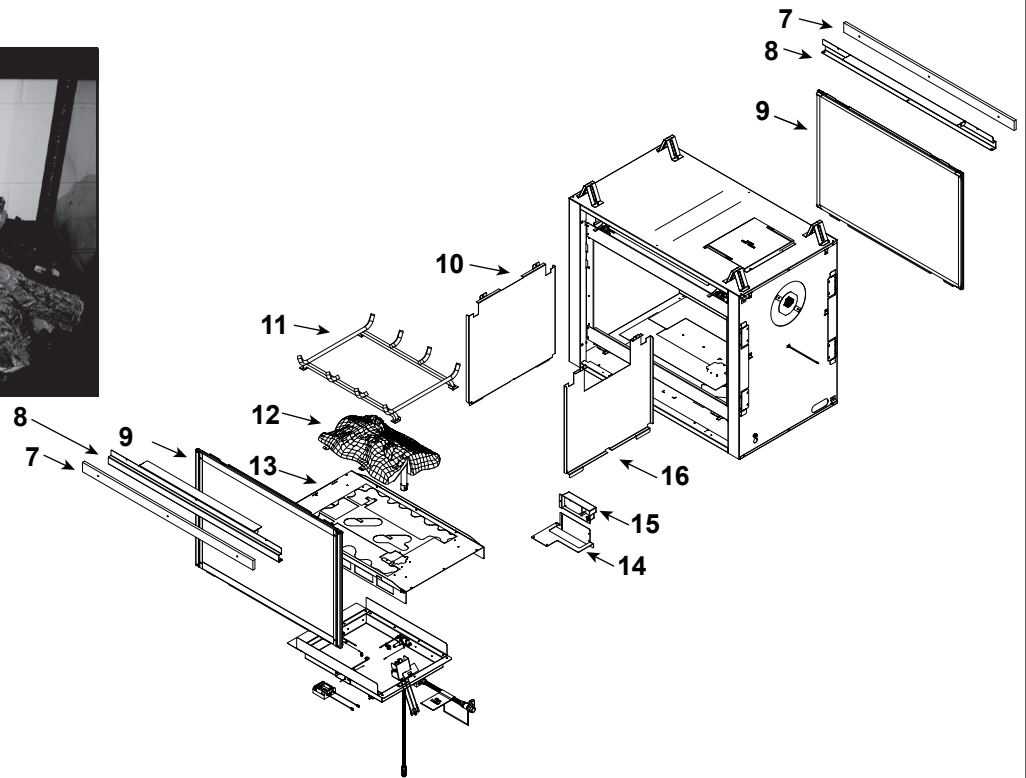
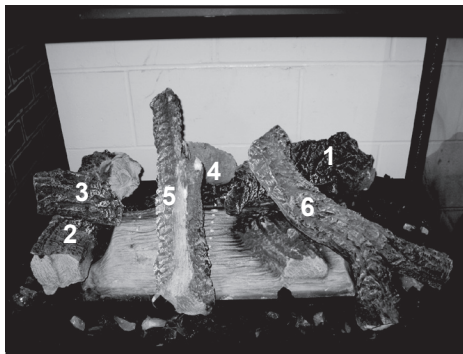
No one builds a better fire

36" Gas Fireplace - DV

Beginning Manufacturing Date: Nov 2008

Ending Manufacturing Date: March 2017

Log Set Assembly



IMPORTANT: THIS IS DATED INFORMATION. Parts must be ordered from a dealer or distributor. **Hearth and Home Technologies does not sell directly to consumers.** Provide model number and serial number when requesting service parts from your dealer or distributor.



Stocked at Depot

ITEM	DESCRIPTION	COMMENTS	PART NUMBER	Stocked at Depot
	Log Set Assembly		LOGS-MSR	Y
1	Log 1	Pre 5/15/16, Must order complete assembly	SRV2005-701	
2	Log 2		SRV2005-700	
3	Log 3		SRV2005-702	
4	Log 4		SRV2005-703	
5	Log 5		SRV2005-704	
6	Log 6		SRV2005-705	
7	Non-Comb	Qty 2 req	2130-196	
8	Sheetrock Ledge (Side)	Qty 2 req	2128-118	
9	Glass Door Assembly	Qty 2 req	GLA-6TROC	Y
10	Refractory		SRV2129-017	
11	Grate Assembly		SRV2005-012	
12	Burner NG, LP		2005-006	Y
13	Ember Mesh Assembly		2176-008	
14	Junction Box Bracket		2128-128	
15	Junction Box		SRV4021-013	Y
16	Refractory (Air Passage Side)		SRV2129-016	
	Surround Overlay (contains overlay for top, bottom and sides)		SRV2128-FACE	

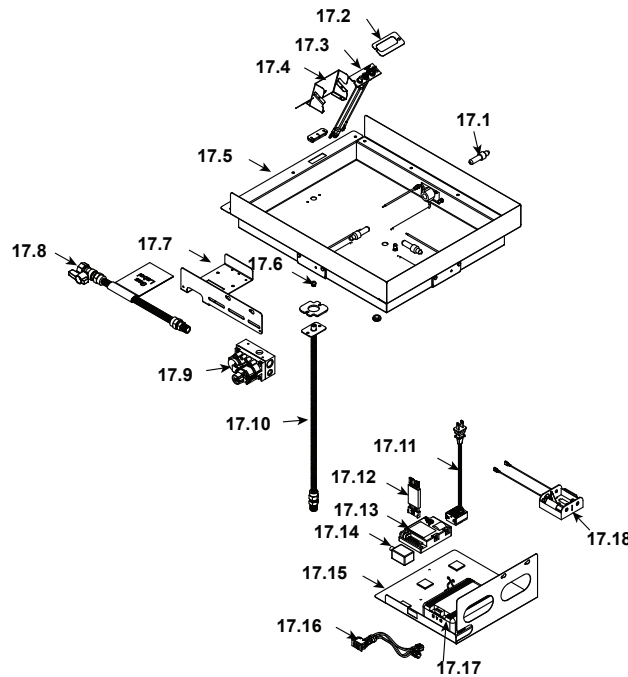
Additional service part numbers appear on following page.

No one builds a better fire

Beginning Manufacturing Date: Nov 2008

Ending Manufacturing Date: March 2017

#17 Valve Assembly



IMPORTANT: THIS IS DATED INFORMATION. Parts must be ordered from a dealer or distributor. **Hearth and Home Technologies does not sell directly to consumers.** Provide model number and serial number when requesting service parts from your dealer or distributor.



**Stocked
at Depot**

ITEM	DESCRIPTION	COMMENTS	PART NUMBER	Stocked at Depot
17.1	Bulb		700-540	Y
17.2	Wind Baffle		2176-126	
17.3	Pilot Assembly NG		SRV2090-012	Y
	Pilot Assembly LP		2090-013	Y
17.4	Pilot Bracket		2176-118	
17.5	Ember Box Assembly	No longer available	SRV2005-114	
17.6	Orifice NG (#32C)		SRV582-832	Y
	Orifice LP (#50C)		582-850	Y
17.7	Valve Bracket	No longer available	SRV2176-120	
17.8	Flex Ball Valve Assembly		SRV302-320	Y
17.9	Valve NG		750-500	Y
	Valve LP		750-501	Y
17.10	Flexible Gas Connector		2005-009	Y
17.11	Connector Block Assembly	No longer available	2176-019	
17.12	Module Wire Assembly		SRV593-590	Y
17.13	Module		SRV593-592	Y
17.14	Solenoid		HTI-17-006	Y
17.15	Controls Plate	No longer available	SRV2176-121	
17.16	On/Off, Switch		SRV32D0232	Y
17.17	Control Box		HTI-13-007	Y
17.18	Battery Pack		SRV593-594	Y

Additional service part numbers appear on following page.



No one builds a better fire

Beginning Manufacturing Date: Nov 2008
Ending Manufacturing Date: March 2017

IMPORTANT: THIS IS DATED INFORMATION. Parts must be ordered from a dealer or distributor. **Hearth and Home Technologies does not sell directly to consumers.** Provide model number and serial number when requesting service parts from your dealer or distributor.



Stocked at Depot

ITEM	DESCRIPTION	COMMENTS	PART NUMBER	
	Gasket Assembly Contains Vent, Seal Cap, Burner Neck, Shutter Bracket and Valve Plate Gaskets		2128-081	
	Lava Rock		2005-790	
	Mineral Wool		050-721	
	Multifunction Remote		WSK-MLT	
	Actuator Pins		HTI-17-116	Y
	Control Wire		HTI-23-007	Y
	Cover Plate	No longer available	HTI-21-007	
	Switch Kit w/ Wires		HTI-25-007	Y
	Wall Switch/ Keypad		HTI-12-007	Y
	Teco-Sil, 5lb. Bag White Ember Bed Rock		SRV700-790	
	Touch Up Paint		TUP-GBK-12	
	Wire Wall Switch		SRV2095-550	Y
	Multi Side Front	Black	MSFR-36-BK	
	Conversion Kit NG	No longer available	NGK-MS36	
	Conversion Kit LP		LPK-MS36	
	Pilot Orifice NG		SRV593-528	Y
	Pilot Orifice LP		SRV593-527	Y
	Regulator NG		SRVNGK-DXV	Y
	Regulator LP		SRVLPK-DXV	Y