

IMPORTANT: THIS IS DATED INFORMATION. Parts must be ordered from a dealer or distributor. **Hearth and Home Technologies does not sell directly to consumers.** Provide model number and serial number when requesting service parts from your dealer or distributor.



Stocked at depot

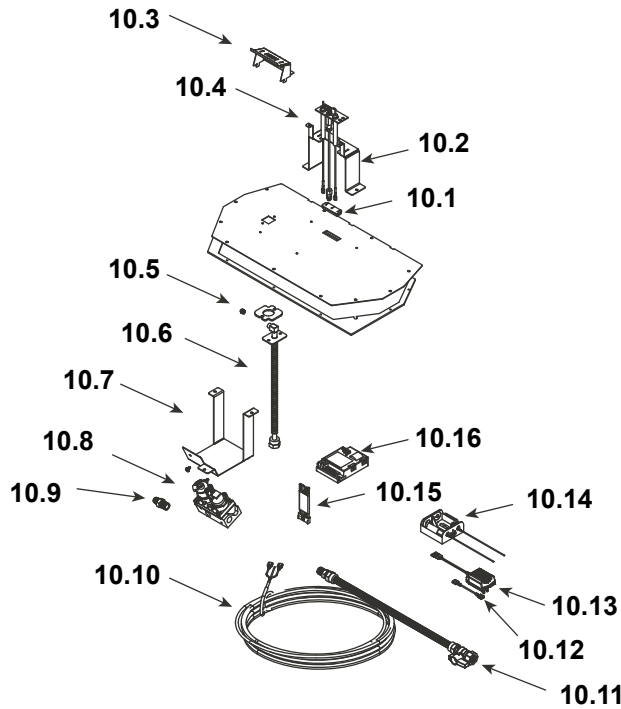
ITEM	DESCRIPTION	COMMENTS	PART NUMBER	
1	Elbow Heat Shield	No longer available	SRV2269-168	
2	Sheet Rock Ledge	No longer available	SRV2269-114-BK	
3	Top Panel, Finishing Edge	No longer available	SRV2269-102-BK	
4	Non Combustible Board, Top	No longer available	2269-403	
5	Media Tray	No longer available	SRV2269-118-BK	
6	Base Pan	No longer available	SRV2269-117-BK	
7	Burner NG		SRV2269-007-BK	Y
8	Glass Door Assembly	No longer available	SRV-GLA32	
9	Lower Cover Panel	No longer available	SRV2269-103-BK	
10	Valve Assembly		Refer to valve page	
11	Junction Box		SRV4021-013	Y
12	Junction Box Bracket	No longer available	2269-154	
		Post LC4447840	2372-127	

Additional service part numbers appear on following page.

No one builds a better fire

Beginning Manufacturing Date: Oct 2011
Ending Manufacturing Date: Nov 2017

#10 Valve Assembly



IMPORTANT: THIS IS DATED INFORMATION. Parts must be ordered from a dealer or distributor. **Hearth and Home Technologies does not sell directly to consumers.** Provide model number and serial number when requesting service parts from your dealer or distributor.



Stocked at Depot

ITEM	DESCRIPTION	COMMENTS	PART NUMBER	
10.1	3-Hole Grommet		SRV2118-420	
10.2	Pilot Bracket	No longer available	SRV2269-127-BK	
10.3	Pilot Shield	No longer available	SRV2269-123-BK	
10.4	Pilot Assembly NG		2208-012	Y
	Pilot Assembly LP		2208-013	Y
10.5	Orifice NG (#45C)		SRV582-845	Y
	Orifice LP (1.25 mm C)		582-8125	Y
10.6	Bulkhead W/Flex Tube		383-302A	Y
10.7	Valve Bracket	No longer available	SRV2269-153	
10.8	Valve NG		SRV593-500	Y
	Valve LP		SRV593-501	Y
10.9	Male Connector	Pkg of 5	303-315/5	Y
10.10	Thermostat Wire Assembly		SRV2118-170	Y
10.11	Flex Ball Valve Assembly		531-320A	Y
10.13	3 Volt Transformer		SRV593-593	Y
10.14	Battery Pack		SRV593-594	Y
10.15	Module Wire Assembly		SRV593-590	Y
10.16	Module		SRV593-592	Y

Additional service part numbers appear on following page.

No one builds a better fire

Beginning Manufacturing Date: Oct 2011
Ending Manufacturing Date: Nov 2017

IMPORTANT: THIS IS DATED INFORMATION. Parts must be ordered from a dealer or distributor. **Hearth and Home Technologies does not sell directly to consumers.** Provide model number and serial number when requesting service parts from your dealer or distributor.



Stocked at Depot

ITEM	DESCRIPTION	COMMENTS	PART NUMBER	
	Exhaust Restrictor		530-299	
	Gasket Assembly Contains burner neck, shutter bracket, vent, seal cap, valve plate, and air passage gaskets		2113-080	
	Glass Latch Assembly , Top	Pkg of 2	33858/2	Y
	Heat Shield, Inner	No longer available	SRV2269-109-BK	
	Touch Up Paint		TUP-GBK-12	
	Wall Switch Kit		WSK-21-W	
	Jumper Wires 21 in		SRV2012-206	Y
	Mesh Door Front w/Surround	No longer available	MAR-SLR32-GT	
	Clean Face Front	Gun Metal	CF-TON32-GM	
Media Options				
	Crystal Glass Rock Media		MEDIA-CRYSTAL	
	Crystal Rock	5 lb. Bag	2188-851	
	Cobalt Glass Rock Media		MEDIA-COBALT	
	Cobalt Rock	5 lb. Bag	2188-852	
	Black Glass Rock		MEDIA-BLACK	
	Black Rock	5 lb. Bag	2188-850	
	Amber Glass Rock		MEDIA-AMBER	
	Amber Rock	5 lb. Bag	2188-853	
	Media, White Gems		MEDIA-WH2-GEMS	
	Media, Clear Gems		MEDIA-CL2-GEMS	
	Media, Black Gems		MEDIA-BK2-GEMS	
	Media, Ceramic Stones		MEDIA-STONES-2	
Conversion Kits				
	Conversion Kit NG		N/A	
	Conversion Kit LP	No longer available	LPK-SLR32	
	Pilot Orifice NG		SRV593-528	Y
	Pilot Orifice LP		SRV593-527	Y
	Regulator NG		SRVNGK-DXF	Y
	Regulator LP		SRVLPK-DXF	Y