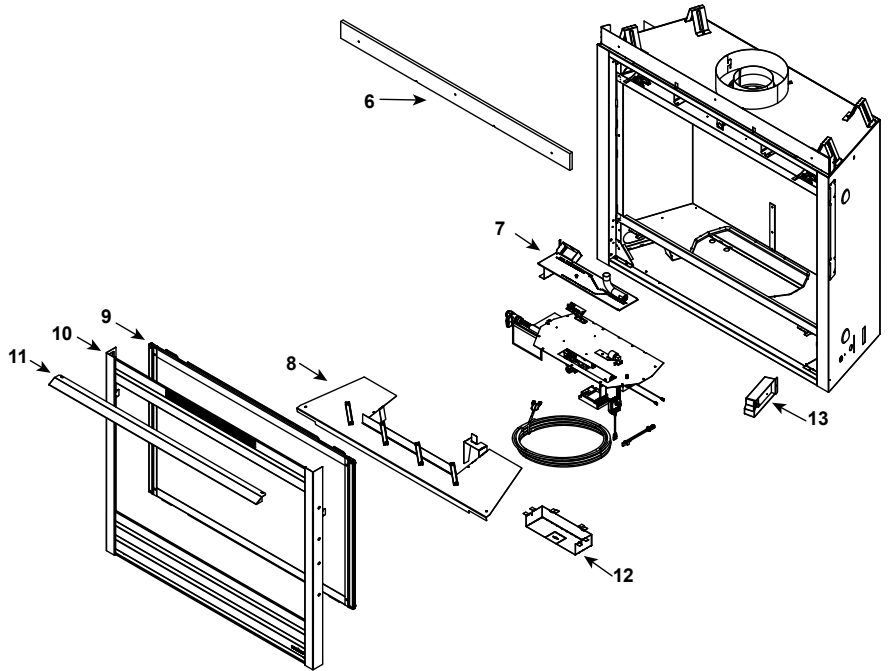


Log Set Assembly



IMPORTANT: THIS IS DATED INFORMATION. Parts must be ordered from a dealer or distributor. **Hearth and Home Technologies does not sell directly to consumers.** Provide model number and serial number when requesting service parts from your dealer or distributor.

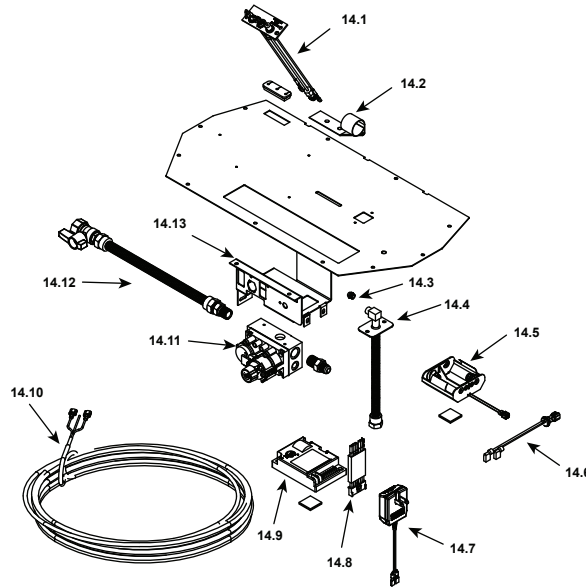


Stocked at Depot

ITEM	DESCRIPTION	COMMENTS	PART NUMBER	Stocked at Depot
	Log Set Assembly		LOGS-950-E	Y
1	Log 1	No longer available, must order complete assembly	SRV2121-701	
2	Log 2		SRV2121-702	
3	Log 3		SRV2118-703	
4	Log 4		SRV2121-704	
5	Log 5		SRV2121-705	
6	Non-Combustible Board		560-401	
7	Burner NG, LP		SRV2121-007	Y
8	Grate Assembly	No longer available	2121-015	
9	Glass Door Assembly		GLA-950TR	Y
10	Door		FOL-42-BK	
	Mesh Assembly		2354-041	Y
11	Hood		2121-230	
12	Air Chute	No longer available	2119-154	
13	Junction Box		SR4021-013	Y
	Glass Latch Assembly	Pkg of 2	33858/2	Y
	High Limit Switch		SRV4021-383	Y
	Lava Rock		4021-297	
	Mineral Wool		050-721	
	Touch Up Paint		TUP-GBK-12	

Additional service part numbers appear on following page.

#14 Valve Assembly



IMPORTANT: THIS IS DATED INFORMATION. Parts must be ordered from a dealer or distributor. **Hearth and Home Technologies does not sell directly to consumers.** Provide model number and serial number when requesting service parts from your dealer or distributor.



**Stocked
at Depot**

ITEM	DESCRIPTION	COMMENTS	PART NUMBER	
14.1	Pilot Assembly NG		SRV2090-012	Y
	Pilot Assembly LP		2090-013	Y
	Pilot Tube		SRV485-301	Y
14.2	Shutter Bracket Assembly		2118-121	Y
14.3	Orifice NG (#37C)		582-837	Y
	Orifice LP (#52C)		SRV582-852	Y
14.4	Flexible Gas Connector		SRV7000-156	Y
14.5	Battery Pack		SRV593-594	Y
14.6	Wire Assembly 80" & 72"		522-504A	Y
14.7	3 Volt Transformer		SRV593-593	Y
14.8	Module Wire Assembly		SRV593-590	Y
14.9	Module		SRV593-592	Y
14.10	Thermostat Wire Assembly		SRV2118-170	Y
14.11	Valve NG		750-500	Y
	Valve LP		750-501	Y
14.12	Flex Ball Valve Assembly		SRV302-320	Y
14.13	Valve Bracket		2118-104	
	Conversion Kit NG	No longer available	NGK-950IPIE	
	Conversion Kit LP	No longer available	LPK-950IPIE	
	Pilot Orifice NG		SRV593-528	Y
	Pilot Orifice LP		SRV593-527	Y
	Regulator NG		SRVNGK-DXV	Y
	Regulator LP		SRVLPK-DXV	Y