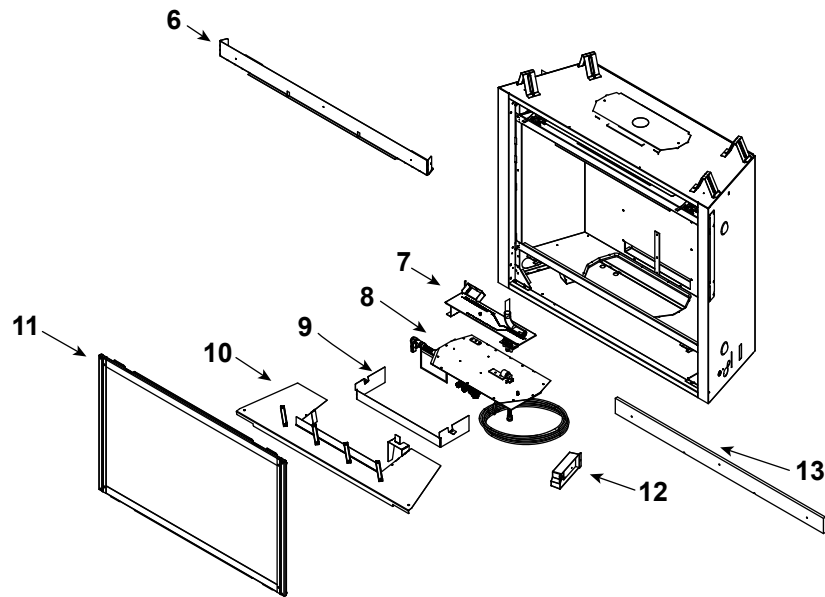


### Log Set Assembly



**IMPORTANT: THIS IS DATED INFORMATION.** Parts must be ordered from a dealer or distributor. **Hearth and Home Technologies does not sell directly to consumers.** Provide model number and serial number when requesting service parts from your dealer or distributor.



**Stocked at Depot**

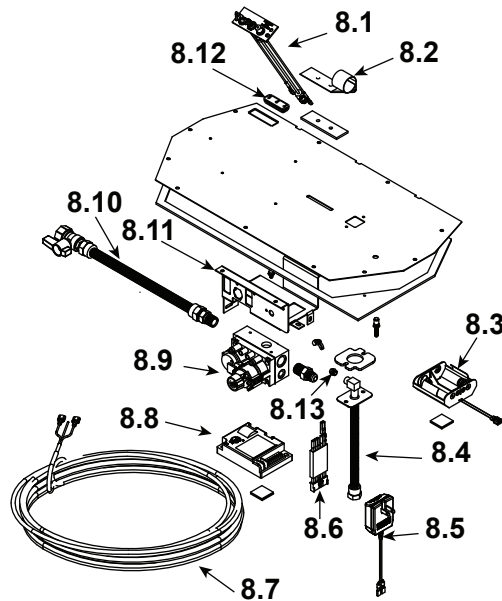
ITEM	DESCRIPTION	COMMENTS	PART NUMBER	Stocked at Depot
	Log Set Assembly		LOGS-950-E	Y
1	Log 1	<b>No longer available, Must order complete assembly</b>	SRV2121-701	
2	Log 2		SRV2121-702	
3	Log 3		SRV2118-703	
4	Log 4		SRV2121-704	
5	Log 5		SRV2121-705	
6	Non Comb Support	<b>No Longer Available</b>	2122-119	
7	Burner NG, LP		SRV2121-007	Y
8	Valve Assembly		<b>Refer to Valve Page</b>	
9	Burner Skirt	<b>No Longer Available</b>	2121-142	
10	Grate Assembly	<b>No Longer Available</b>	2121-015	
11	Glass Door Assembly		GLA-950TR	Y
12	Junction Box		SRV4021-013	Y
13	Non Combustible Board		560-401	
	Exhaust Baffle		550-155	
	Exhaust Restrictor		530-299	
	Front		FOL-950-BK	
	Gasket Assembly Contains Burner neck, shutter bracket, vent, seal cap, valve plate, and air passage gaskets		2121-080	
	Glass Latch Assembly	Pkg of 2	33858/2	Y
	Lava Rock		4021-297	
	Mineral Wool		050-721	
	Touch Up Paint		TUP-GBK-12	

Additional service part numbers appear on following page.

No one builds a better fire

Beginning Manufacturing Date: June 2007  
Ending Manufacturing Date: June 2016

### #8 Valve Assembly



**IMPORTANT: THIS IS DATED INFORMATION.** Parts must be ordered from a dealer or distributor. **Hearth and Home Technologies does not sell directly to consumers.** Provide model number and serial number when requesting service parts from your dealer or distributor.



**Stocked  
at Depot**

ITEM	DESCRIPTION	COMMENTS	PART NUMBER	
8.1	Pilot Assembly NG		SRV2090-012	Y
	Pilot Assembly LP		2090-013	Y
	Pilot Tube		SRV485-301	Y
8.2	Shutter Bracket Assembly		2118-121	Y
8.3	Battery Pack		SRV593-594	Y
8.4	Flexible Gas Connector		SRV7000-156	Y
8.5	3 Volt Transformer		SRV593-593	Y
8.6	Module Wire Assembly		SRV593-590	Y
8.7	Thermostat Wire Assembly		2045-024	Y
8.8	Module		SRV593-592	Y
8.9	Valve NG		750-500	Y
	Valve LP		750-501	Y
8.10	Flex Ball Valve Assembly		SRV302-320	Y
8.11	Valve Bracket		2118-104	
8.12	3-Hole Grommet		SRV2118-420	
8.13	Orifice NG (#37)		582-837	Y
	Orifice LP (#52)		SRV582-852	Y
	Conversion Kit NG	No Longer Available	NGK-950IPIE	
	Conversion Kit LP	No Longer Available	LPK-950IPIE	
	Pilot Orifice NG		SRV593-528	Y
	Pilot Orifice LP		SRV593-527	Y
	Regulator NG		SRVNGK-DXV	Y
	Regulator LP		SRVLPK-DXV	Y