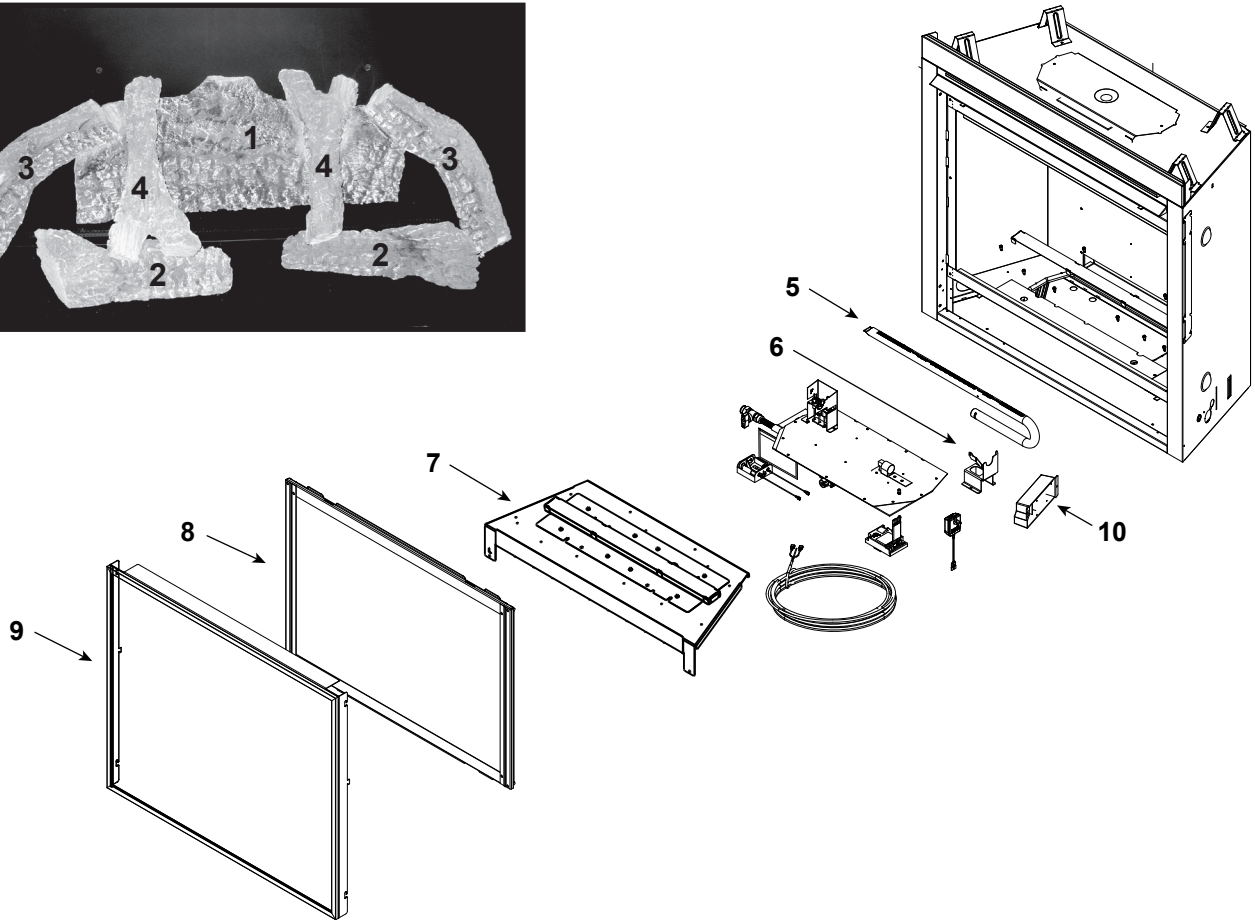
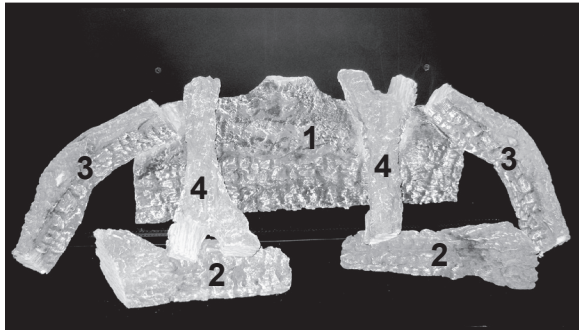


Log Set Assembly



IMPORTANT: THIS IS DATED INFORMATION. Parts must be ordered from a dealer or distributor. **Hearth and Home Technologies does not sell directly to consumers.** Provide model number and serial number when requesting service parts from your dealer or distributor.



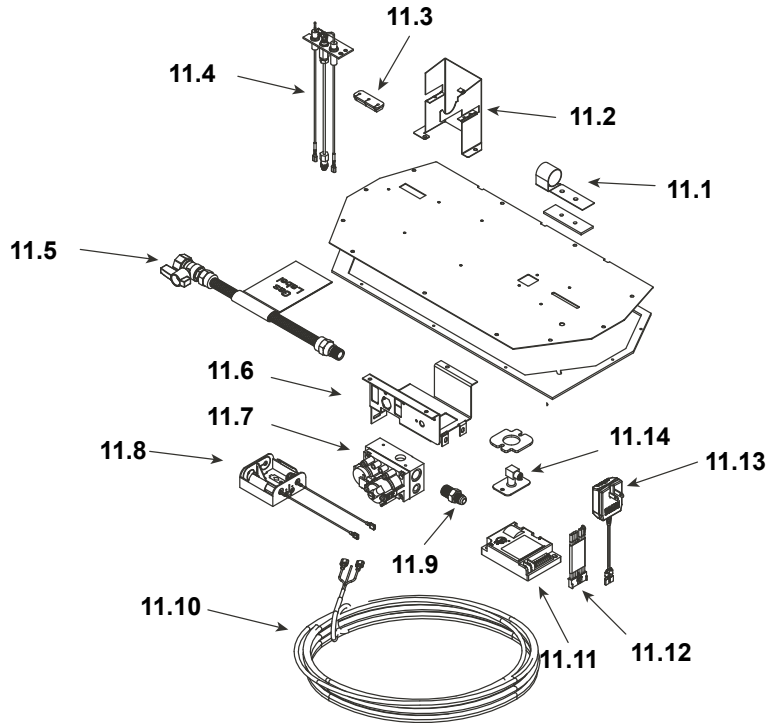
Stocked at Depot

ITEM	DESCRIPTION	COMMENTS	PART NUMBER	
	Log Set Assembly		Logs-750F	Y
1	Log 1	Pre 5/15/16, Must order complete assembly	SRV2298-700	
2	Log 2		SRV2033-709	
3	Log 3		SRV2033-721	
4	Log 4		SRV2033-720	
5	Burner NG, LP		2298-105	Y
6	Burner Leg		2297-103	
7	Base pan		2298-017	
8	Glass Door Assembly		GLA-750TR	Y
9	Firescreen Front		SRV2298-056	Y
	Replacement orders Pre 0023877692 must also order SHOW-RIVNUT			
10	Junction Box		SRV4021-013	Y

No one builds a better fire

Beginning Manufacturing Date: May 2013
Ending Manufacturing Date: Dec 2016

#11 Valve Assembly



IMPORTANT: THIS IS DATED INFORMATION. Parts must be ordered from a dealer or distributor. **Hearth and Home Technologies does not sell directly to consumers.** Provide model number and serial number when requesting service parts from your dealer or distributor.



**Stocked
at Depot**

ITEM	DESCRIPTION	COMMENTS	PART NUMBER	
11.1	Shutter Bracket Assembly		2118-121	Y
11.2	Pilot Bracket		2297-112	
11.3	3-Hole Grommet		SRV2118-420	
11.4	Pilot Assembly NG		SRV2090-012	Y
	Pilot Assembly LP		2090-013	Y
	Pilot Tube		SRV485-301	Y
11.5	Flex Ball Valve Assembly		SRV302-320	Y
11.6	Valve Bracket		2118-104	
11.7	Valve NG		750-500	Y
	Valve LP		750-501	Y
11.8	Battery Pack		SRV593-594	Y
11.9	Male Connector	Pkg of 5	303-315/5	Y
11.10	Thermostat Wire Assembly		SRV2118-170	Y
11.11	Module		SRV593-592	Y
11.12	Module Wire Assembly		SRV593-590	Y
11.13	3 Volt Transformer		SRV593-593	Y
11.14	Flexible Gas Connector		SRV7000-156	Y
	Male-Male 2" Junper Wire		SRV2012-206	Y
	Orifice NG (#42)		582-842	Y
	Orifice LP (#54)		SRV582-854	Y

Additional service part numbers appear on following page.

No one builds a better fire

Beginning Manufacturing Date: May 2013
 Ending Manufacturing Date: Dec 2016

IMPORTANT: THIS IS DATED INFORMATION. Parts must be ordered from a dealer or distributor.
Hearth and Home Technologies does not sell directly to consumers. Provide model number and serial number when requesting service parts from your dealer or distributor.



Stocked at Depot

ITEM	DESCRIPTION	COMMENTS	PART NUMBER	Stocked at Depot
	Bottom Panel	Pre 0023877692	2298-106	
	Exhaust Baffle		550-155	
	Exhaust Restrictor		530-299	
	Gasket Assembly Contains Burner neck, shutter bracket, vent, seal cap, valve plate, and air passage gaskets		2118-080	
	Glass Latch Assembly	Pkg of 2	33858/2	Y
	Heat Shield, Junction Box	No longer available	2185-117	
	Heat Shield, Header		2118-120	
	Hood		2118-230	
	Lava Rock		4021-297	
	Rock Placement Jig		2298-113	
	Touch Up Paint		TUP-GBK-12	
	Valve Plate Cover		2188-101	
	Conversion Kit NG		NGK-750F	Y
	Conversion Kit LP		LPK-750F	Y
	Pilot Orifice NG		SRV593-528	Y
	Pilot Orifice LP		SRV593-527	Y
	Regulator NG		SRVNGK-DXV	Y
	Regulator LP		SRVLPK-DXV	Y