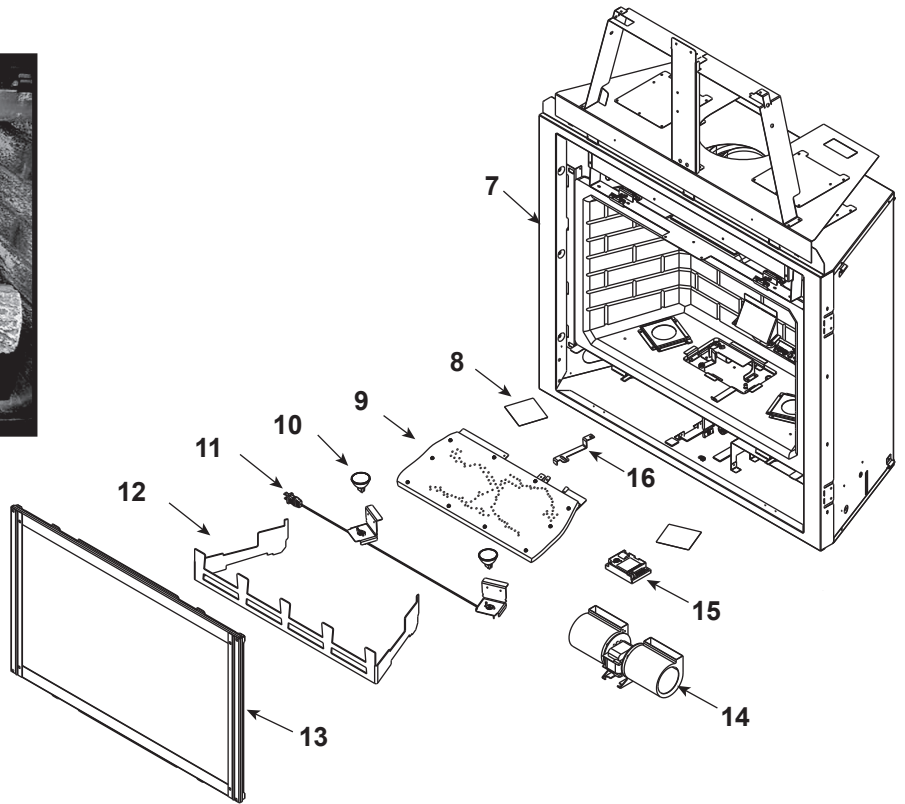
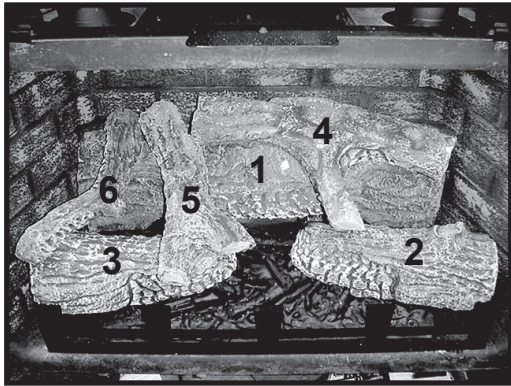


Log Set Assembly



IMPORTANT: THIS IS DATED INFORMATION. Parts must be ordered from a dealer or distributor. **Hearth and Home Technologies does not sell directly to consumers.** Provide model number and serial number when requesting service parts from your dealer or distributor.



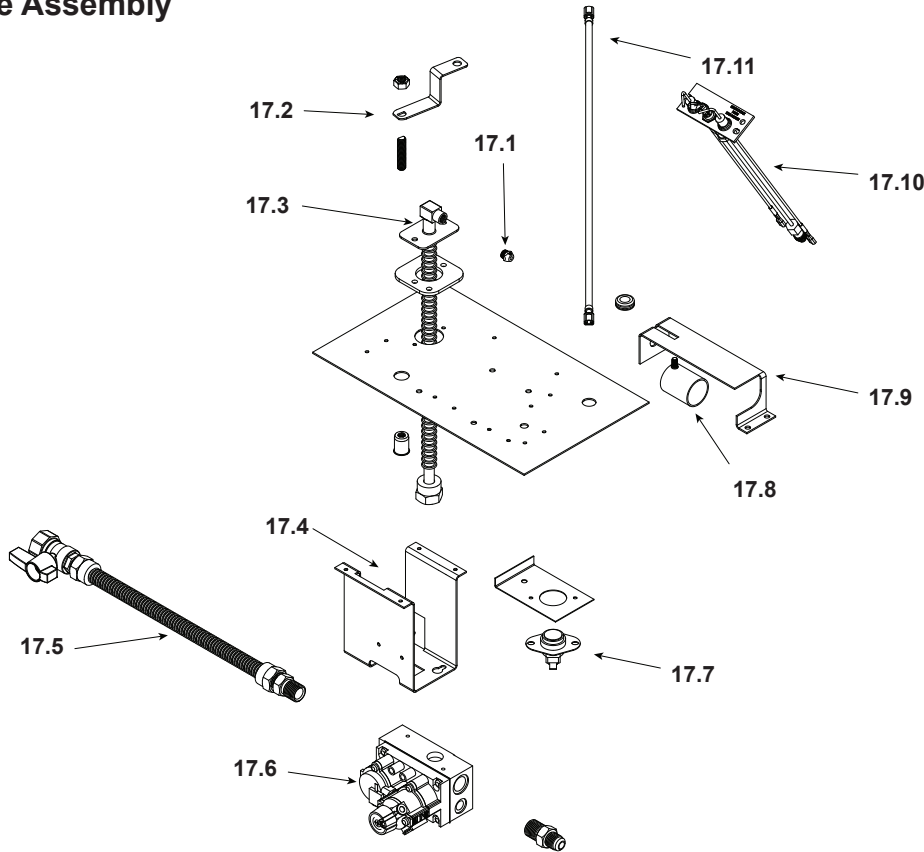
Stocked at Depot

ITEM	DESCRIPTION	COMMENTS	PART NUMBER	
	Log Set Assembly		LOGS-ULTIMATE	Y
1	Log 1	No longer available, Must order complete assembly	SRV2062-701	
2	Log 2		SRV2062-702	
3	Log 3		SRV2062-703	
4	Log 4		SRV330-706	
5	Log 5		SRV330-704	
6	Log 6		SRV340-705	
7	Surround	No longer available	2026-108	
8	Kapton Lens	No longer available	2101-252	
9	Burner NG, LP		2062-004	Y
10	Bulb		2088-136	Y
11	Socket Assembly	No longer available	4061-035	
12	Grate	No longer available	2141-107	
13	Glass Door Assembly	No longer available	GLA-2062	
14	Blower		GFK-160A	
15	Control Module		SRV593-592	Y
16	Shutter Arm, Bottom	No longer available	2062-133	

No one builds a better fire

Beginning Manufacturing Date: Sept 2007
Ending Manufacturing Date: Dec 2012

#17 Valve Assembly



IMPORTANT: THIS IS DATED INFORMATION. Parts must be ordered from a dealer or distributor. **Hearth and Home Technologies does not sell directly to consumers.** Provide model number and serial number when requesting service parts from your dealer or distributor.



**Stocked
at Depot**

ITEM	DESCRIPTION	COMMENTS	PART NUMBER	
17.1	Orifice NG (#32C)		SRV582-832	Y
	Orifice LP (#50C)		582-850	Y
17.2	Shutter Arm, Top	No longer available	2062-132	
17.3	Flexible Gas Connector		383-302A	Y
17.4	Valve Bracket	No longer available	2141-152	
17.5	Flex Ball Valve Assembly		SRV302-320	Y
17.6	Valve NG		750-500	Y
	Valve LP		750-501	Y
17.7	Temp Sensor		107-531A	Y
17.8	Shutter Bracket Assembly		319-316A	Y
17.9	Burner Support	No longer available	2062-130	
17.10	Pilot Assembly NG		SRV2090-012	Y
	Pilot Assembly LP		2090-013	Y
17.11	Wire Assembly		107-559A	Y

Additional service part numbers appear on following page.

