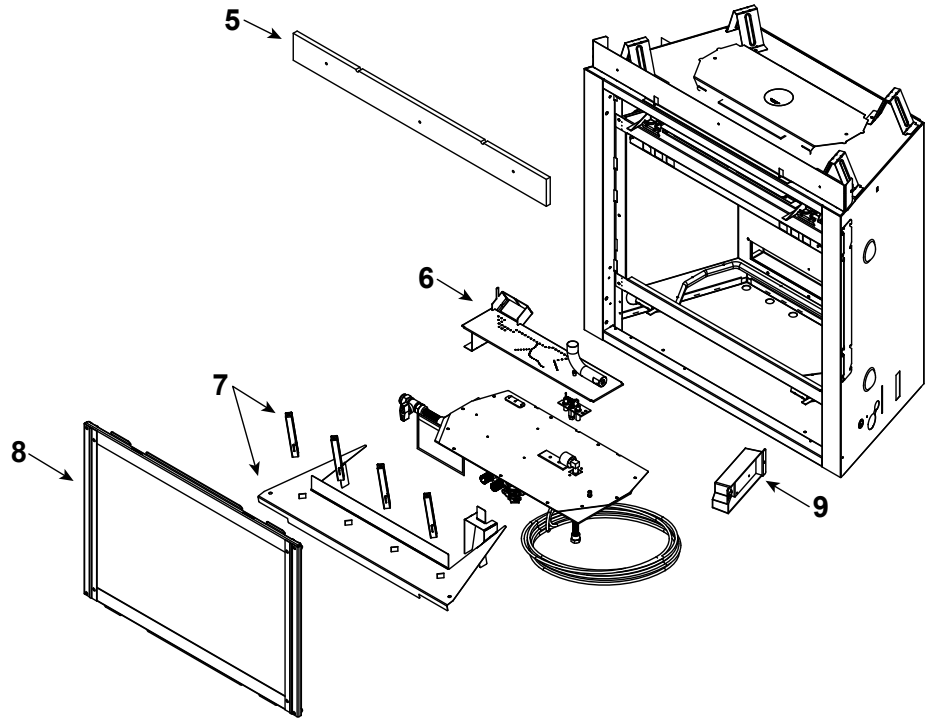


Log Set Assembly



IMPORTANT: THIS IS DATED INFORMATION. Parts must be ordered from a dealer or distributor. **Hearth and Home Technologies does not sell directly to consumers.** Provide model number and serial number when requesting service parts from your dealer or distributor.



Stocked at Depot

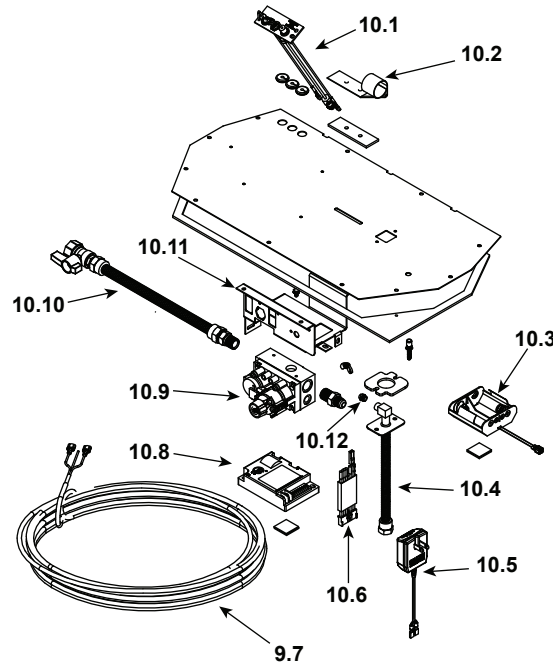
ITEM	DESCRIPTION	COMMENTS	PART NUMBER	
	Log Set Assembly		LOGS-350TRS-D	Y
1	Log 1	No longer available, Must order complete assembly	SRV2113-701	
2	Log 2		SRV2113-702	
3	Log 3		SRV2113-704	
4	Log 4		SRV2113-703	
5	Non-combustible Board		2113-401	
6	Burner Assembly		2113-007	Y
7	Base Pan/Grate Assembly	No longer available	2113-015	
8	Glass Door Assembly		GLA-3504TRS	Y
9	Junction Box		SRV4021-013	Y
	Exhaust Restrictor		530-299	
	Folio Front	Black	FOL-28-BK	
	Gasket Assembly Contains Burner neck, shutter bracket, vent, seal cap, valve plate, and air passage gaskets		2113-080	
	Glass Latch Assembly	Pkg of 2	33858/2	Y
	Lava Rock		4021-297	
	Mineral Wool		050-721	
	Non-combustible Board	No longer available	539-401	
	Touch Up Paint		TUP-GBK-12	

Additional service part numbers appear on following page.

No one builds a better fire

Beginning Manufacturing Date: June 2007
Ending Manufacturing Date: June 2016

#10 Valve Assembly



IMPORTANT: THIS IS DATED INFORMATION. Parts must be ordered from a dealer or distributor. **Hearth and Home Technologies does not sell directly to consumers.** Provide model number and serial number when requesting service parts from your dealer or distributor.



**Stocked
at Depot**

ITEM	DESCRIPTION	COMMENTS	PART NUMBER	
10.1	Pilot Assembly NG		SRV2090-012	Y
	Pilot Assembly LP		2090-013	Y
	Pilot Tube		SRV485-301	Y
10.2	Shutter Bracket Assembly		2118-121	Y
10.3	Battery Pack		SRV593-594	Y
10.4	Flex Tube Assembly		SRV7000-156	Y
10.5	3 Volt Transformer		SRV593-593	Y
10.6	Module Wire Assembly		SRV593-590	Y
10.7	Thermostat Wire Assembly		SRV2118-170	Y
10.8	Module		SRV593-592	Y
10.9	Valve NG		750-500	Y
	Valve LP		750-501	Y
10.10	Flex Ball Valve Assembly		SRV302-320	Y
10.11	Valve Bracket		2118-104	
10.12	Orifice NG (#44)		582-844	Y
	Orifice LP (#55)		582-855	Y
	Conversion Kit NG		N/A	
	Conversion Kit LP		LPK-350TRS-IPI	Y
	Pilot Orifice NG		SRV593-528	Y
	Pilot Orifice LP		SRV593-527	Y
	Regulator NG		SRVNGK-DXV	Y
	Regulator LP		SRVLPK-DXV	Y