

IMPORTANT: THIS IS DATED INFORMATION. Parts must be ordered from a dealer or distributor. **Hearth and Home Technologies does not sell directly to consumers.** Provide model number and serial number when requesting service parts from your dealer or distributor.

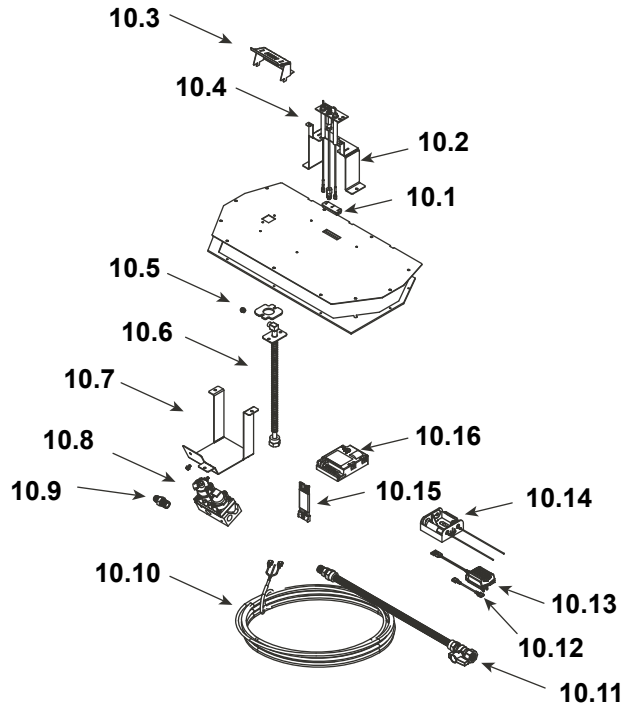


Stocked at depot

ITEM	DESCRIPTION	COMMENTS	PART NUMBER	
1	Elbow Heat Shield	No longer available	SRV2269-168	
2	Sheet Rock Ledge	No longer available	SRV2269-114-BK	
3	Top Panel, Finishing Edge	No longer available	SRV2269-102-BK	
4	Non Combustible Board, Top	No longer available	2269-403	
5	Media Tray Insert	No longer available	SRV2269-135-BK	
6	Base Pan	No longer available	SRV2269-117-BK	
7	Burner NG		SRV2269-007-BK	Y
8	Glass Door Assembly	No longer available	SRV-GLA32	
9	Lower Cover Panel	No longer available	SRV2269-103-BK	
10	Valve Assembly		Refer to valve page	
11	Media Tray	No longer available	SRV2269-118-BK	
12	Junction Box		SRV4021-013	
13	Junction Box Bracket		2269-154	
		Post LC4453631	2372-127	

Additional service part numbers appear on following page.

#10 Valve Assembly



IMPORTANT: THIS IS DATED INFORMATION. Parts must be ordered from a dealer or distributor. **Hearth and Home Technologies does not sell directly to consumers.** Provide model number and serial number when requesting service parts from your dealer or distributor.



Stocked at Depot

ITEM	DESCRIPTION	COMMENTS	PART NUMBER	
10.1	3-Hole Grommet		SRV2118-420	
10.2	Pilot Bracket	No longer available	SRV2269-127-BK	
10.3	Pilot Shield	No longer available	SRV2269-123-BK	
10.4	Pilot Assembly NG		2208-012	Y
	Pilot Assembly LP		2208-013	Y
10.5	Orifice NG (#45C)		SRV582-845	Y
	Orifice LP (.125mm C)		582-8125	Y
10.6	Bulkhead W/Flex Tube		383-302A	Y
10.7	Valve Bracket	No longer available	SRV2269-153	
10.8	Valve NG		SRV593-500	Y
	Valve LP		SRV593-501	Y
10.9	Male Connector	Pkg of 5	303-315/5	Y
10.10	Thermostat Wire Assembly		SRV2118-170	Y
10.11	Flex Ball Valve Assembly		531-320A	Y
10.13	3 Volt Transformer		SRV593-593	Y
10.14	Battery Pack		SRV593-594	Y
10.15	Module Wire Assembly		SRV593-590	Y
10.16	Module		SRV593-592	Y

Additional service part numbers appear on following page.

