

IMPORTANT: THIS IS DATED INFORMATION. Parts must be ordered from a dealer or distributor. **Hearth and Home Technologies does not sell directly to consumers.** Provide model number and serial number when requesting service parts from your dealer or distributor.



Stocked at Depot

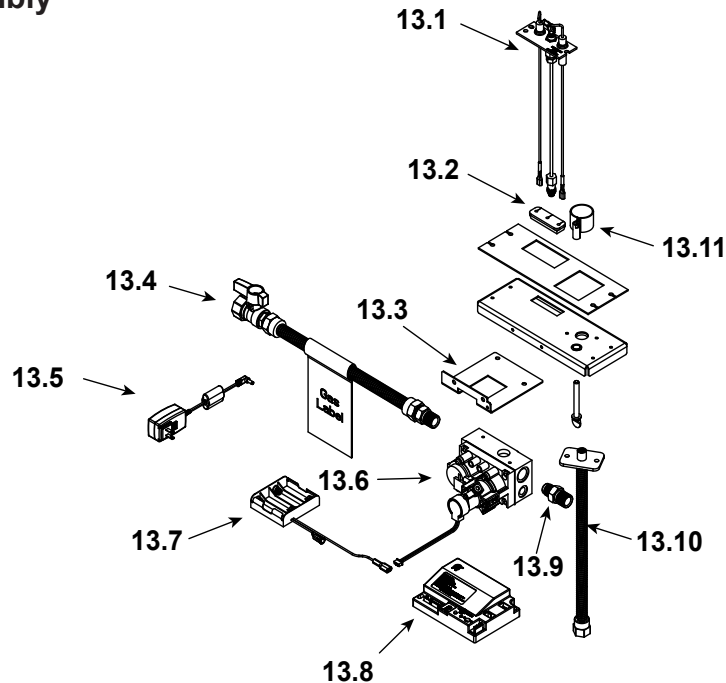
ITEM	DESCRIPTION	COMMENTS	PART NUMBER	
1	Outer Top, Side	No longer available	SRV2273-109-BK	
2	Outer Wrap Replacement	No longer available	SRV2273-105	
3	Outer Top	No longer available	SRV2273-106-BK	
4	Baffle, Firebox	No longer available	SRV2273-104-BK	
5	Pilot Bracket	No longer available	SRV2273-125-BK	
6	Burner Assembly		SRV2273-007	Y
7	Refractory, Back Glass		2273-700	
8	Glass, Front Black	No longer available	2273-701	
9	Glass Assembly	No longer available	GLA-SOHOCE	
10	Glass Bracket	No longer available	SRV2273-115-BK	
11	Junction Box Assembly		2273-016	Y
12	Component Tray	No longer available	SRV2273-107-BK	
13	Valve Assembly	Refer to following Page		
	Template, Cardboard	No longer available	TEMP-S21-10	
	Front, Four Square	Black	DF-FSS7-BK	
	Glass Clip Support Assembly	No longer available	2273-012	
	Burner Orifice NG (0.083)		4021-435	Y
	Burner Orifice LP (1.25mm)		582-8125	Y

Additional service part numbers appear on following page.

No one builds a better fire

Beginning Manufacturing Date: June 2013
Ending Manufacturing Date: April 2017

#13 Valve Assembly



IMPORTANT: THIS IS DATED INFORMATION. Parts must be ordered from a dealer or distributor. **Hearth and Home Technologies does not sell directly to consumers.** Provide model number and serial number when requesting service parts from your dealer or distributor.



Stocked at Depot

ITEM	DESCRIPTION	COMMENTS	PART NUMBER	
13.1	Pilot Assembly NG	No longer available	2274-012	
13.2	3-Hole Grommet		SRV2118-420	
13.3	Valve Bracket	No longer available	SRV2273-118	
13.4	Flex Ball Valve Assembly, 12"		SRV302-320	Y
13.5	Switched DC Regulator		SRV2326-131	Y
13.6	Valve NG		SRV2166-302	Y
	Valve LP		2166-303	Y
13.7	**Battery Pack		SRV2166-323	Y
13.8	Module		2166-347	Y
13.9	Male Connector	Pkg of 5	303-315/5	Y
13.10	Bulkhead, Flexible		4021-512	Y
13.11	Shutter Sleeve	No longer available	2273-150	
	Remote, RC200-HNG		2166-320	
	Wiring Harness, IPI		2166-304	Y
	Conversion Kit LP	No longer available	LPK-RS21	Y
	Pilot Orifice LP		593-529	Y
	Regulator NG	W/Stepper Motor	NGK-DXV-50	Y
	Regulator LP	W/Stepper Motor	SRVLPK-DXV-50	Y

**Fuse for battery pack can be sourced locally, not a warranty item. Specs are 250v, 1A fuse, 3/4" long