

IMPORTANT: THIS IS DATED INFORMATION. Parts must be ordered from a dealer or distributor. **Hearth and Home Technologies does not sell directly to consumers.** Provide model number and serial number when requesting service parts from your dealer or distributor.

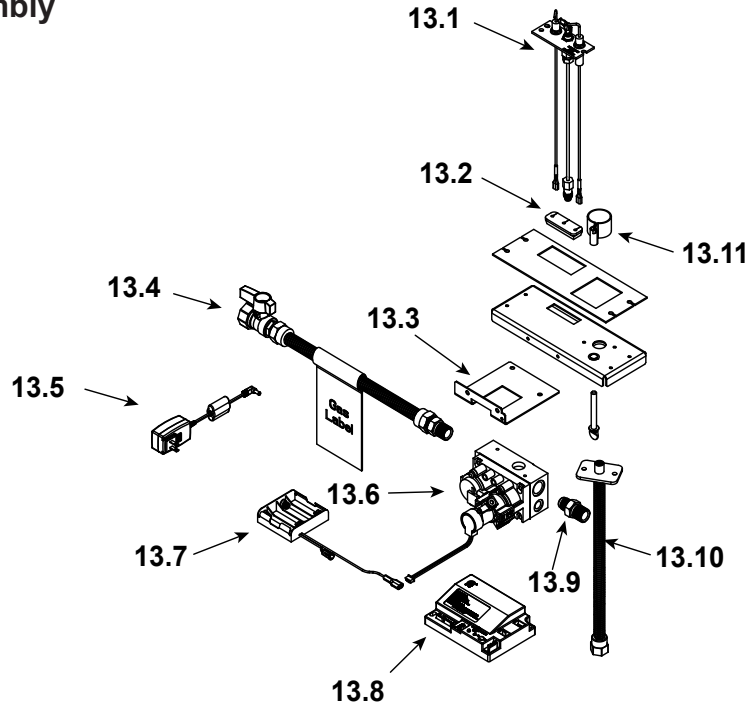


**Stocked at Depot**

ITEM	DESCRIPTION	COMMENTS	PART NUMBER	
1	Outer Top, Side	No longer available	SRV2273-109-BK	
2	Outer Wrap Replacement	No longer available	SRV2274-105	
3	Outer Top	No longer available	SRV2274-106-BK	
4	Baffle, Firebox	No longer available	SRV2274-104-BK	
5	Pilot Bracket	No longer available	SRV2273-125-BK	
6	Burner Assembly		SRV2274-007	Y
7	Refractory, Back Glass		2274-700	
8	Glass, Front Black	No longer available	2274-701	
9	Glass Assembly	No longer available	GLA-REVOH31	
10	Glass Bracket	No longer available	SRV2273-115-BK	
11	Junction Box Assembly		2273-016	Y
12	Component Tray	No longer available	SRV2274-107-BK	
13	Valve Assembly	<b>Refer to following Page</b>		
	Template, Cardboard	No longer available	TEMP-H31-10	
	Door, Wrought Iron	Black	FRAME-H31-BK	
	Glass Clip Support Assembly	No longer available	2273-012	
	Burner Orifice NG (#42C)		582-842	Y
	Burner Orifice LP (0.053)		4021-426	Y

Additional service part numbers appear on following page.

## #13 Valve Assembly



IMPORTANT: THIS IS DATED INFORMATION. Parts must be ordered from a dealer or distributor. **Hearth and Home Technologies does not sell directly to consumers.** Provide model number and serial number when requesting service parts from your dealer or distributor.



**Stocked at Depot**

ITEM	DESCRIPTION	COMMENTS	PART NUMBER	
13.1	Pilot Assembly NG	No longer available	2274-012	
13.2	3-Hole Grommet		SRV2118-420	
13.3	Valve Bracket	No longer available	SRV2273-118	
13.4	Flex Ball Valve Assembly, 12"		SRV302-320	Y
13.5	Switched DC Regulator		SRV2326-131	Y
13.6	Valve NG		SRV2166-302	Y
	Valve LP		2166-303	Y
13.7	**Battery Pack		SRV2166-323	Y
13.8	Module		2166-347	Y
13.9	Male Connector	Pkg of 5	303-315/5	Y
13.10	Bulkhead, Flexible		4021-512	Y
13.11	Shutter Sleeve	No longer available	2273-150	
	Remote, RC200-HNG		2166-320	
	Wiring Harness		2166-304	Y
	Conversion Kit LP	No longer available	LPK-RH31	
	Pilot Orifice LP		593-529	Y
	Regulator NG	W/Stepper Motor	NGK-DXV-50	Y
	Regulator LP	W/Stepper Motor	SRVLPK-DXV-50	Y

\*\*Fuse for battery pack can be sourced locally, not a warranty item. Specs are 250v, 1A fuse, 3/4" long