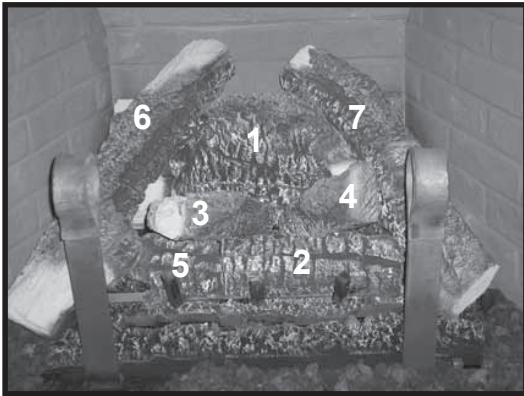
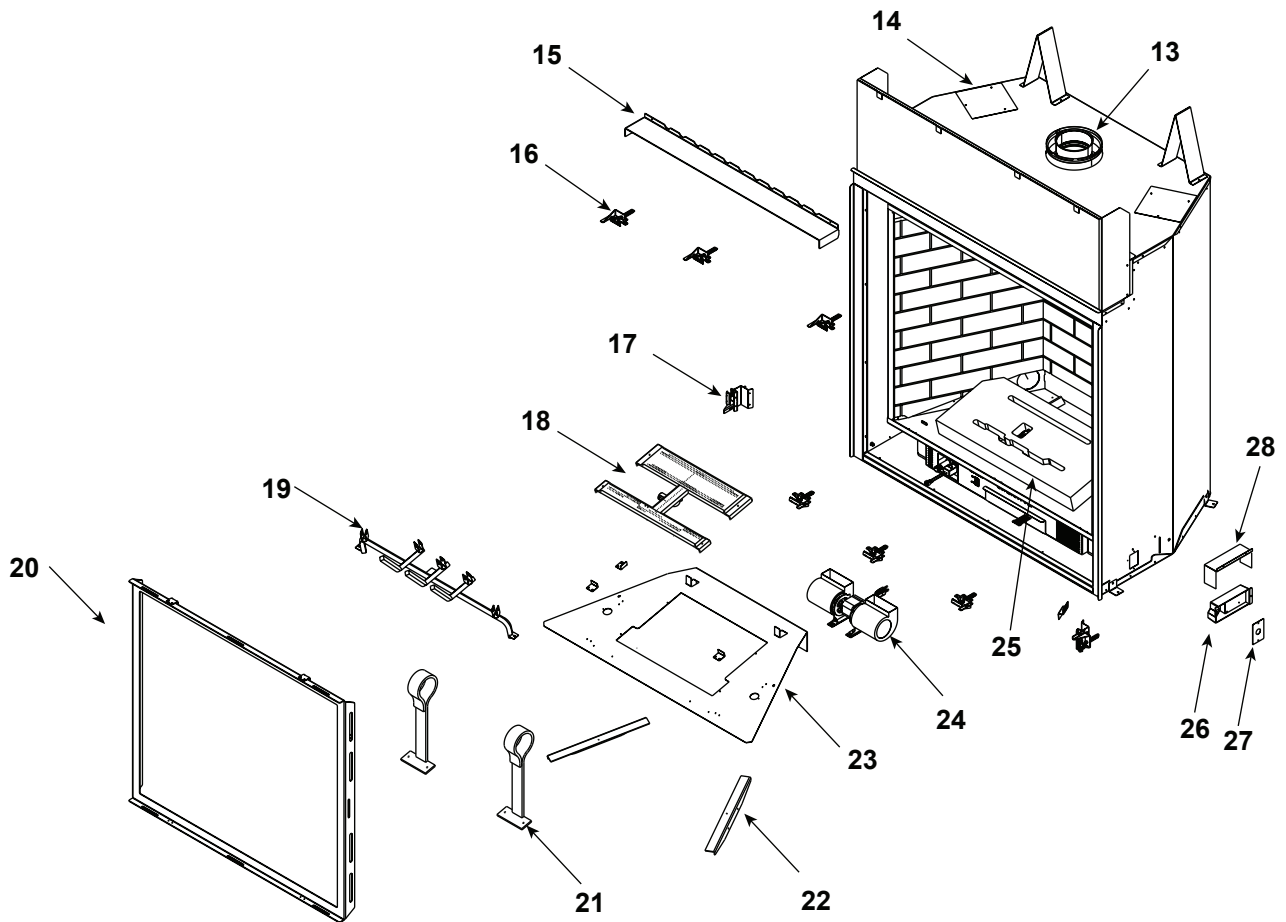
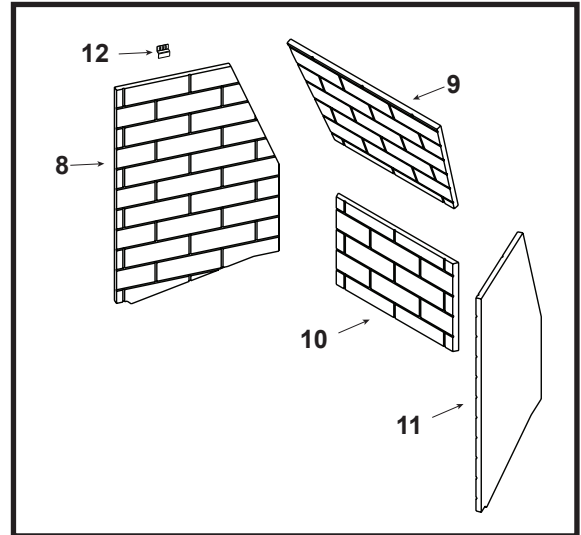


Log Set Assembly



Refractory Assembly



Part number list on following page.

IMPORTANT: THIS IS DATED INFORMATION. Parts must be ordered from a dealer or distributor. **Hearth and Home Technologies does not sell directly to consumers.** Provide model number and serial number when requesting service parts from your dealer or distributor.

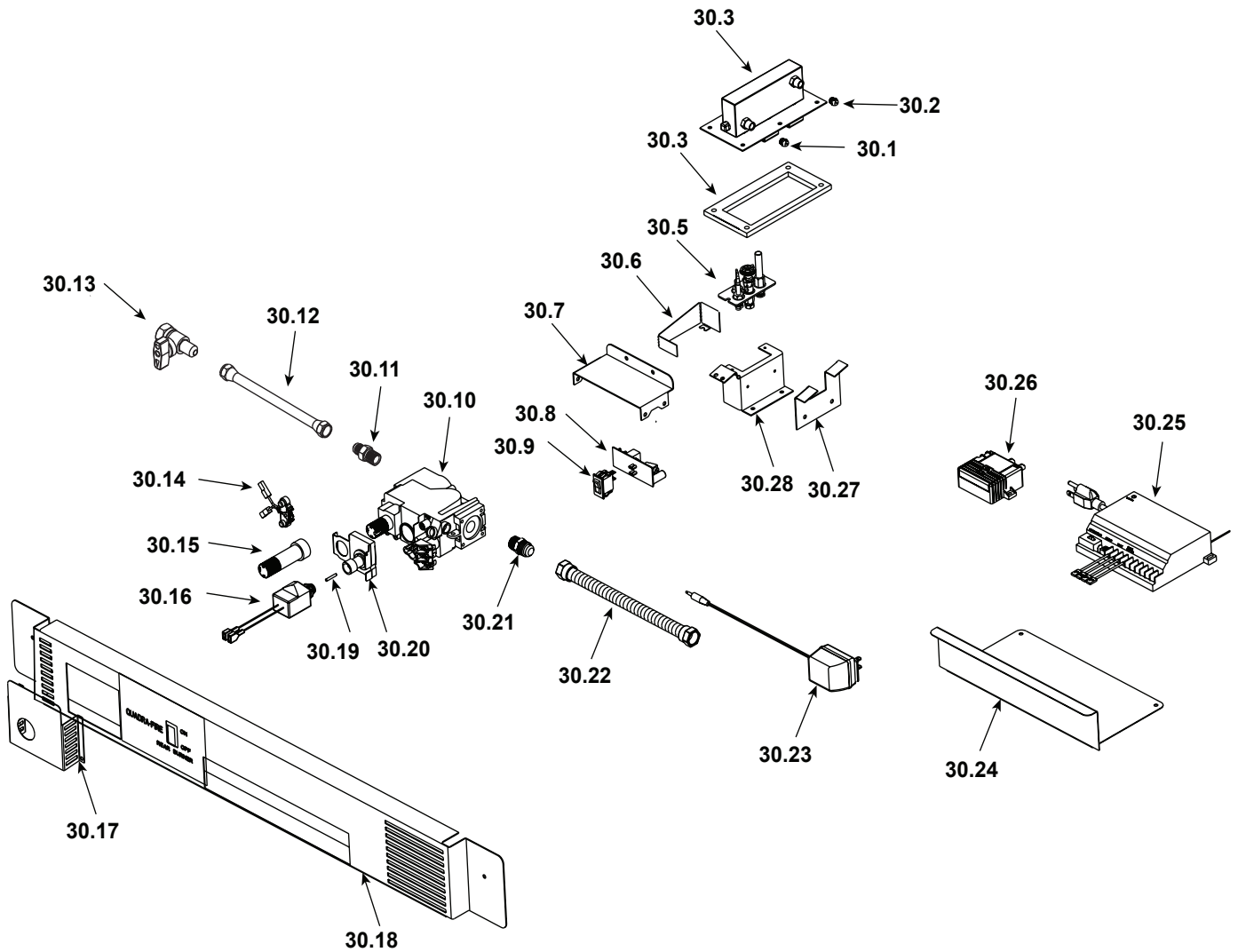


**Stocked
at Depot**

ITEM	DESCRIPTION	COMMENTS	PART NUMBER	
1	Back Log		SRV4051-134	
2	Front Right Log		SRV4051-135	
3	Middle Left Log		SRV4051-138	
4	Middle Right Log		SRV4051-139	
5	Front Left Log		SRV4051-142	
6	Top Left Log		SRV4051-136	
7	Top Right Log		SRV4051-137	
8	Left Refractory	No Longer Available	4051-146	
9	Upper Back Refractory	No Longer Available	4051-149	
10	Lower Back Refractory	No Longer Available	4051-148	
11	Right Refractory	No Longer Available	4051-147	
12	Refractory Retainer		34584	
13	Intake Collar Assembly	No Longer Available	4002-002	
14	Heat Zone Cover Plate	No Longer Available	4051-122	
15	Front Shield	No Longer Available	4051-114	
16	Glass Clip Assembly	Pkg of 2	33858/2	Y
17	Side Glass Latch assembly	No Longer Available	4051-003	Y
18	Burner Assembly	No Longer Available	4051-008	Y
19	Grate Assembly	No Longer Available	4051-012	
20	Glass Frame Assembly	No Longer Available	SRV4051-005	Y
21	Andiron	No Longer Available	4051-311	
22	Hearth Pan Support	No Longer Available	4051-160	
23	Hearth Sheet	No Longer Available	4051-125	
24	Blower Assembly		GFK-160A	
25	Burner Cover	No Longer Available	SRV4051-024	
26	Junction Box (plastic)		SRV4021-013	Y
27	Junction Box Cover Plate		SRV4031-222	
28	Junction Box Radiation Shield	No Longer Available	4047-128	
	Decorative Front	No Longer Available	DF-QFP44-IFV	
	Flue Gasket		SRV4000-225	
	Vertical Baffle	No Longer Available	4051-185	
	Lava Rock Bag Assembly		SRV4040-094	
	Lava Rock		SRV4021-296	
	Mineral Wool		SRV14333	
	Vermiculite		28746	
	Installation Instructions & Owner's Manual		4051-300	

Additional service part numbers on following page

#30 Valve Assembly



Part number list on following page.

IMPORTANT: THIS IS DATED INFORMATION. Parts must be ordered from a dealer or distributor. **Hearth and Home Technologies does not sell directly to consumers.** Provide model number and serial number when requesting service parts from your dealer or distributor.



**Stocked
at Depot**

ITEM	DESCRIPTION	COMMENTS	PART NUMBER	
30.1	Front Orifice - NG (#46C)		582-846	Y
	Front Orifice - LP (#56C)		582-856	Y
30.2	Rear Orifice - NG (#18)	No Longer Available	4021-376	Y
	Rear Orifice - LP (#46C)		582-846	Y
30.3	Solenoid Block Assembly	No Longer Available	4051-010	
30.4	Cover Plate Gasket	No longer available	4042-306	
30.5	Pilot Assembly		230-1781	Y
	Thermocouple		200-2950	Y
30.6	Pilot Shield	No Longer Available	4051-184	
30.7	Valve Bracket	No Longer Available	4051-120	
30.8	MLT Interface	No Longer Available	4021-375	
30.9	ON/OFF Rocker Switch		060-521A	Y
30.10	Valve		SRV230-0710	Y
30.11	Male Connector	Pkg of 5	303-315/5	Y
30.12	10" Flex Gas Line		SRV302-320	Y
30.13	On/Off Valve		SRV15697	Y
30.14	Ignition Cable/Switch Assembly		230-1900	Y
30.15	Extension Knob		230-1250	Y
30.16	HI/LO Solenoid	No Longer Available	4021-379	
30.17	Valve Shield	No Longer Available	4051-193	
30.18	Dashboard	No Longer Available	4051-121	
30.19	Conversion Pin - NG	No Longer Available	4021-367	Y
	Conversion Pin - LP	No Longer Available	4021-368	Y
30.20	Solenoid Regulator	No longer available	4021-378	
30.21	1/2 in. to 3/8 in. NPT Flare - Male	No Longer Available	SRV4021-373	
30.22	10 in., 1/2 in. dia. Flex Gas Line	No Longer Available	4021-374	
30.23	12V Transformer	No Longer Available	2101-290	
30.24	Remote Tray	No Longer Available	4051-169	
30.25	MLT Receiver		HTI-99-006	
30.26	Ignition Module		230-1880	Y
30.27	Pilot Support	No Longer Available	4051-179	
30.28	Pilot Bracket	No Longer Available	4051-161	
	Remote Transmitter		4021-381	Y
	Remote Transmitter Wall Holder		HTI-16-006	Y
	Conversion Kit - NG	No Longer Available	44CKN	Y
	Conversion Kit - LP	No Longer Available	44CKP	Y
	Pilot Injector - 62 - NG		842-4440	Y
	Pilot Injector - 35 - LP		SRV200-2630	Y