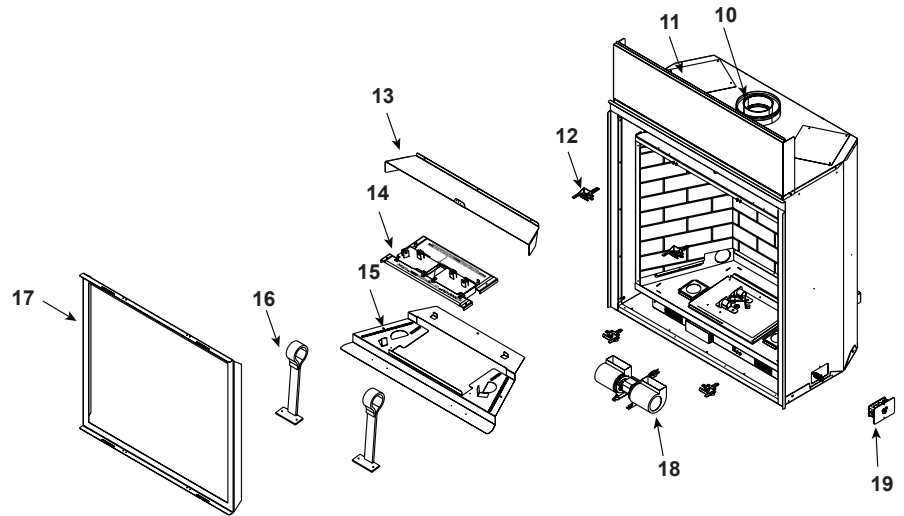
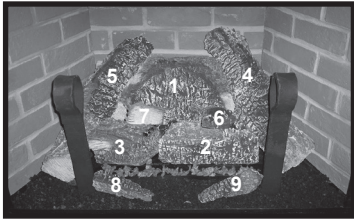


Log Set Assembly



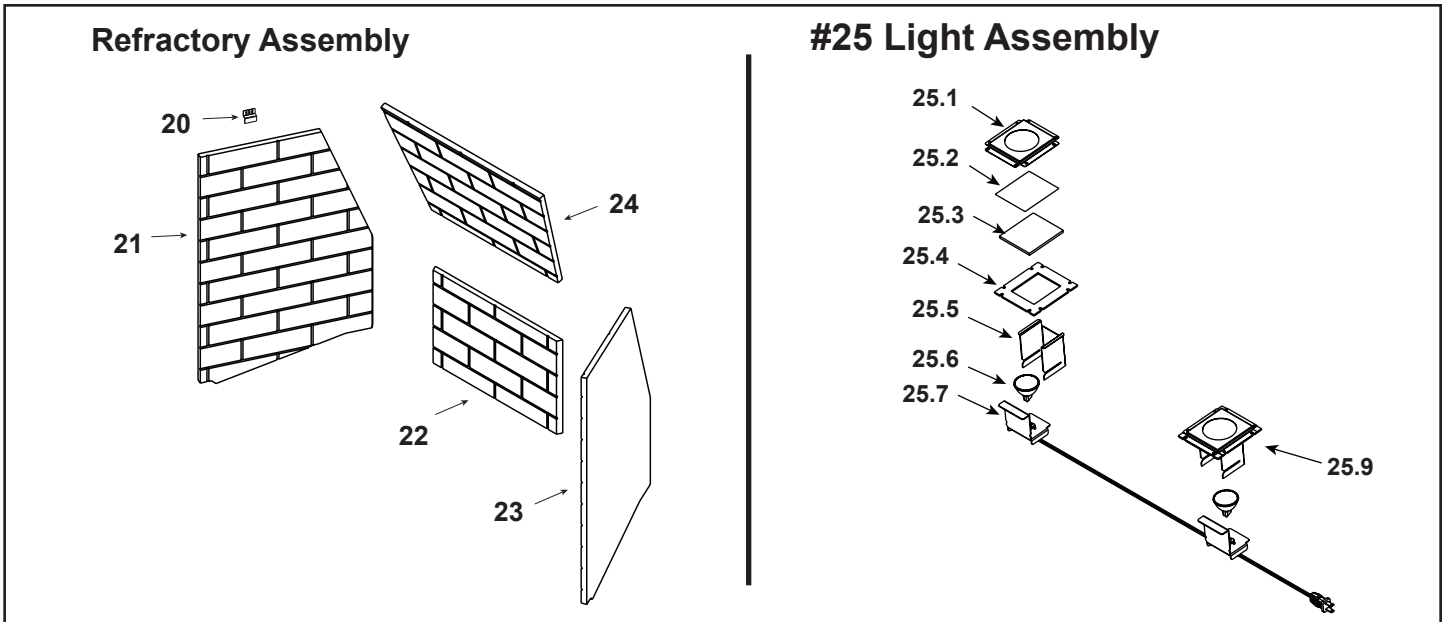
IMPORTANT: THIS IS DATED INFORMATION. Parts must be ordered from a dealer or distributor. **Hearth and Home Technologies does not sell directly to consumers.** Provide model number and serial number when requesting service parts from your dealer or distributor.



Stocked at Depot

ITEM	DESCRIPTION	COMMENTS	PART NUMBER	
1	Log 1 (Back Log)		SRV4061-170	
	Log 2 (Ember Bed)	Not shown	SRV4061-171	
2	Log 3 (Front Right Log)		SRV4061-172	
3	Log 4 (Front Left Log)		SRV4061-173	
4	Log 5 (Right Log)		SRV4061-174	
5	Log 6 (Left Log)		SRV4061-175	
6	Log 7 (Right Middle Log)		SRV4061-176	
7	Log 8 (Left Middle Log)		SRV4061-177	
8	Log 9 (Decorative Left Log)		SRV4061-178	
9	Log 10 (Decorative Right Log)		SRV4061-179	
10	Intake Collar Assembly	No longer available	4002-002	
11	Heat Zone Cover Plate	No longer available	4051-122	
12	Glass Clip Assembly	Pkg of 2	33858/2	Y
13	Damper Bracket	No longer available	4061-136	
14	Burner Assembly	No longer available	4061-015	
15	Hearth Pan	No longer available	4061-123	
16	Andiron	No longer available	4051-311	
17	Glass Frame Assembly	No longer available	SRV4061-012	
18	Fan Assembly		GFK-160A	
19	Junction Box	No longer available	4061-023	
	Decorative Front	No longer available	DF-QFP38-IFV	
	Flue Gasket		SRV4000-225	
	Lava Rock Bag Assembly		4040-094	
	Lava Rock (2 lbs.)		4021-296	
	Mineral Wool		SRV14333	
	Vermiculite		28746	

Additional service part numbers appear on following page.



IMPORTANT: THIS IS DATED INFORMATION. Parts must be ordered from a dealer or distributor. **Hearth and Home Technologies does not sell directly to consumers.** Provide model number and serial number when requesting service parts from your dealer or distributor.

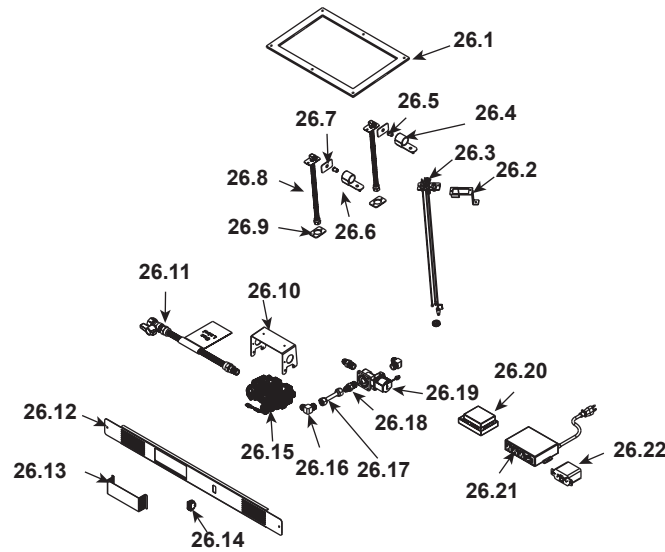


Stocked at Depot

ITEM	DESCRIPTION	COMMENTS	PART NUMBER	
20	Refractory Retainer		34584	
21	Refractory - Left Side	No longer available	4061-150	
22	Refractory - Lower Back	No longer available	4051-148	
23	Refractory - Right Side	No longer available	4061-151	
24	Refractory - Upper Back	No longer available	4061-153	
	Flue Gasket		SRV4000-225	
	Wiring Harness	No longer available	4021-615	
	Proflame GTMFS Transmitter	No longer available	4021-614	
	Lava Rock Bag Assembly		SRV4040-094	
	Lava Rock (2 lbs.)		SRV4021-296	
	Mineral Wool		SRV14333	
	Vermiculite		28746	
	Installation Instructions & Owner's Manual		4061-300	
25	Accent Light Assembly	No longer available	4061-034	
25.1	Glass Housing	No longer available	4061-156	
25.2	Kapton 3-1/4" x 3-11/16"	No longer available	2101-252	
25.3	Bulb Bracket Glass	No longer available	2101-164	
25.4	Glass Housing Gasket	No longer available	2141-165	
25.5	Glowing Bulb Enclosure	No longer available	4061-326	
25.6	Bulb		2088-136	Y
25.7	Filter Assembly	No longer available	4061-037	
25.8	Socket Assembly	No longer available	4061-035	

Additional service part numbers appear on following page.

#26 Valve Assembly



IMPORTANT: THIS IS DATED INFORMATION. Parts must be ordered from a dealer or distributor. **Hearth and Home Technologies does not sell directly to consumers.** Provide model number and serial number when requesting service parts from your dealer or distributor.



**Stocked
at Depot**

ITEM	DESCRIPTION	COMMENTS	PART NUMBER	
26.1	Seal Plate Gasket	No longer available	4002-039	
26.2	Pilot Bracket	No longer available	4061-143	
26.3	Pilot Assembly - NG	No longer available	4021-609	
	Pilot Assembly - LP	No longer available	4021-610	
26.4	Air Shutter Assembly	No longer available	4061-022	
26.5	Rear Orifice - (.128) -NG	No longer available	4042-317	
	Rear Orifice - (.070) -LP	No longer available	4021-625	
26.6	Front Orifice - (.073) - NG	No longer available	4021-327	
	Front Orifice - (.046) -LP	No longer available	4021-624	
26.7	Orifice Block	No longer available	4061-145	
26.8	Bulkhead	No longer available	4021-605	
26.9	Bulkhead Gasket	Qty 2 req	4021-429	
26.10	Valve Bracket	No longer available	4061-128	
26.11	12" Flex Ball Valve Assembly		SRV302-320	Y
26.12	Dashboard	No longer available	4061-130	
26.13	Valve Shield	No longer available	4061-131	
26.14	On/Off, Switch		SRV32D0232	Y
26.15	Proflame valve with Stepper Motor - NG	No longer available	4021-606	
	Proflame valve with Stepper Motor - LP	No longer available	4021-607	
26.16	3/8 OD Flare X 3/8" NPT Male Elbow	Qty 2 req	SRV4021-045	
26.17	3/8" Swivel Nut Connector		4021-561	
26.18	Brass Fitting 3/8" NPT to 3/8" Flare	Pkg fo 5	303-315/5	Y
26.19	Split Flow Valve	No longer available	4021-608	
26.20	IPI Ignition Board	No longer available	4021-611	
26.21	Fan Control Module	No longer available	4021-612	
26.22	Proflame S-Receiver	No longer available	4021-613	