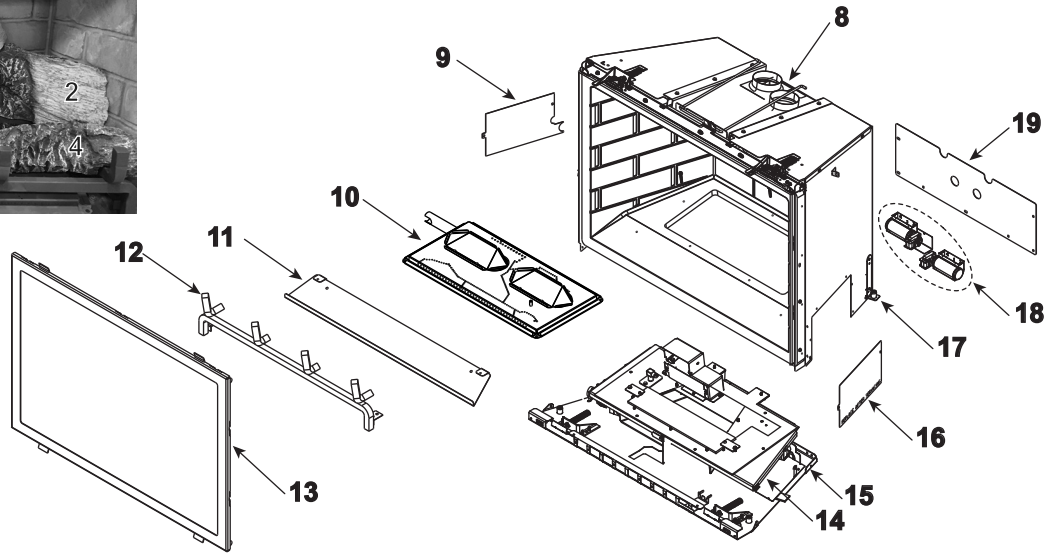


Log Set Assembly



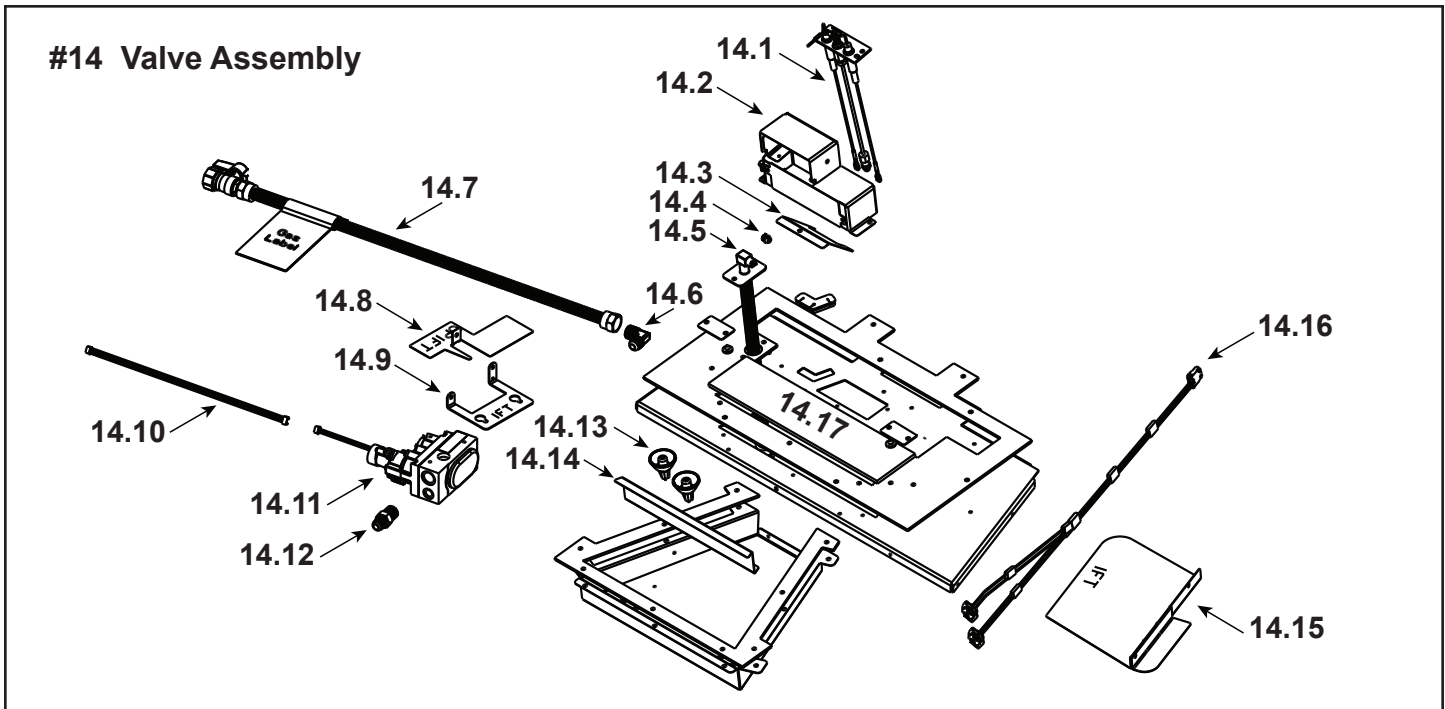
IMPORTANT: THIS IS DATED INFORMATION. Parts must be ordered from a dealer or distributor. **Hearth and Home Technologies does not sell directly to consumers.** Provide model number and serial number when requesting service parts from your dealer or distributor.



Stocked at Depot

ITEM	DESCRIPTION	COMMENTS	PART NUMBER	
	Log Assembly		LOGS-QFI30FB	Y
1	Log 1		SRV2221-703	
2	Log 2		SRV2221-701	
3	Log 3		SRV2221-702	
4	Log 4		SRV2221-706	
5	Log 5		SRV2221-704	
6	Log 6		SRV2221-705	
7	Log 7		SRV2221-707	
8	Termination Plate Assembly		2201-012	
	Gasket, Termination Plate		2201-401	
	Slide Plate Handle		2019-201	
9	Left Side Cover, Plate		2550-129	
10	Burner Assembly		SRV2221-009	Y
	Media Tray, Mesh		2201-138	
11	Media Tray		2201-112	
12	Grate Assembly		SRV2221-017	
13	Glass Door Assembly		GLA-30FB	Y
14	Valve Assembly		Refer to valve page	
15	Bottom Assembly		Refer to valve page	
16	Right Side Cover, Plate		2550-130	
17	RIV-NUT Bracket Assembly	Qty 2 req	2201-027	
18	Fan Kit		GFK-210-C	Y
19	Cover Plate, Back		2550-104	

Additional service part numbers on following page.



IMPORTANT: THIS IS DATED INFORMATION. Parts must be ordered from a dealer or distributor. **Hearth and Home Technologies does not sell directly to consumers.** Provide model number and serial number when requesting service parts from your dealer or distributor.

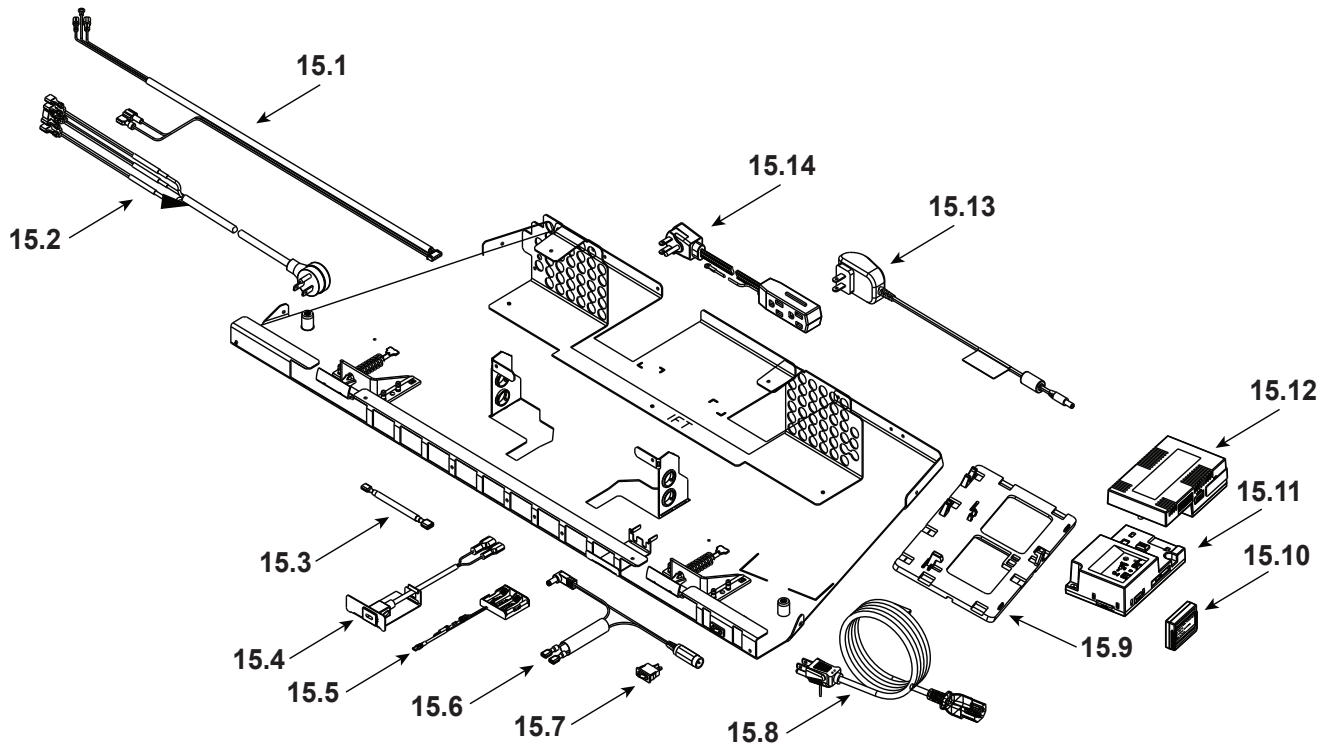


Stocked at Depot

ITEM	DESCRIPTION	COMMENTS	PART NUMBER	
14.1	Pilot Assembly NG		2550-013	Y
	Pilot Assembly, Propane		2550-014	Y
	3-Hole Grommet		2201-420	
14.2	Pilot Bracket Assembly		2201-025	
14.3	Air Scoop		2201-156	
14.4	Burner Orifice NG (#33C)		582-833	Y
	Burner Orifice Propane (#50C)		582-850	Y
14.5	Flex Assembly		4021-428	
14.6	Elbow, 3/8 Flare		SRV4021-045	
14.7	Flex Ball Valve Assembly		2201-108	Y
14.8	Shield, Stepper Motor		2550-168	
14.9	Valve Bracket		2550-108	
14.10	Extension Wire, Stepper Motor		2550-753	Y
14.11	Valve NG		SRV2166-302	Y
	Valve Propane		2166-303	Y
14.12	Male Connector	Pkg of 5	303-315/5	
14.13	Ember Bulb, 50 Watt	Qty 2 req	2201-150	Y
14.14	Air Passage Divider		2201-144	
14.15	Shield, Component Heat		2550-167	
14.16	Light Wire Assembly		2532-017	Y
14.17	Ember Glass		2201-115	Y

Additional service part numbers on following page.

#15 Bottom Assembly



IMPORTANT: THIS IS DATED INFORMATION. Parts must be ordered from a dealer or distributor. **Hearth and Home Technologies does not sell directly to consumers.** Provide model number and serial number when requesting service parts from your dealer or distributor.



Stocked at Depot

ITEM	DESCRIPTION	COMMENTS	PART NUMBER	
15.1	IFT Wire Harness		2550-301	Y
15.2	Wire Assembly		2550-068	Y
15.3	Fuse Wire Assembly	Pre LC4954115	2206-085	Y
15.4	UAB-C and Mounting Plate Assembly		2550-126	Y
15.5	Battery Pack**	Pre LC5489112	SRV2326-134	Y
		Post LC5489112	SRV2326-142	Y
15.6	Reset Switch Wire		2550-135	Y
15.7	Reset Switch	Pre LC5116679	SRV2206-299	Y
		Post LC5116679	SRV2206-298	Y
15.8	Cable, B Type AC Module		SRV2326-152	Y
15.9	Component Tray		2279-185	
15.10	Module, RF FCC		SRV2326-120	Y
15.11	Module, IFT Control		SRV2326-130	Y
15.12	Module, B Type AC		SRV2326-150	Y
15.13	Transformer, 6 Volt Wall		SRV2326-131	Y
15.14	Power Cord		2201-024	Y

**Fuse for battery pack can be sourced locally, not a warranty item. Specs are 250v, 3A fuse, 3/4" long

Additional service part numbers on following page.

